

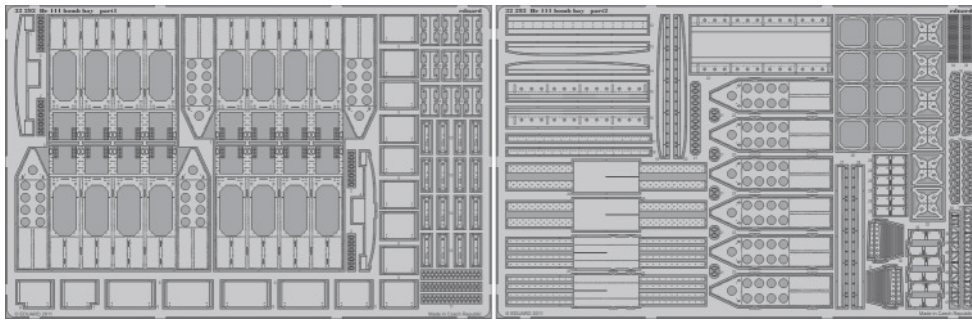


He 111 bomb bay

eduard

32 293

1/32 scale detail set for Revell kit • sada detailů pro model 1/32 Revell



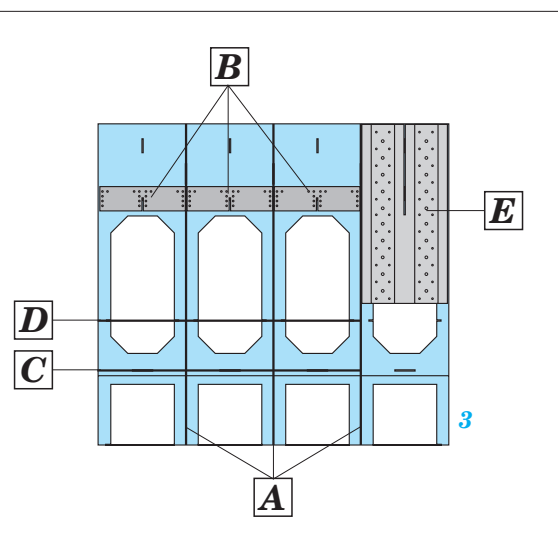
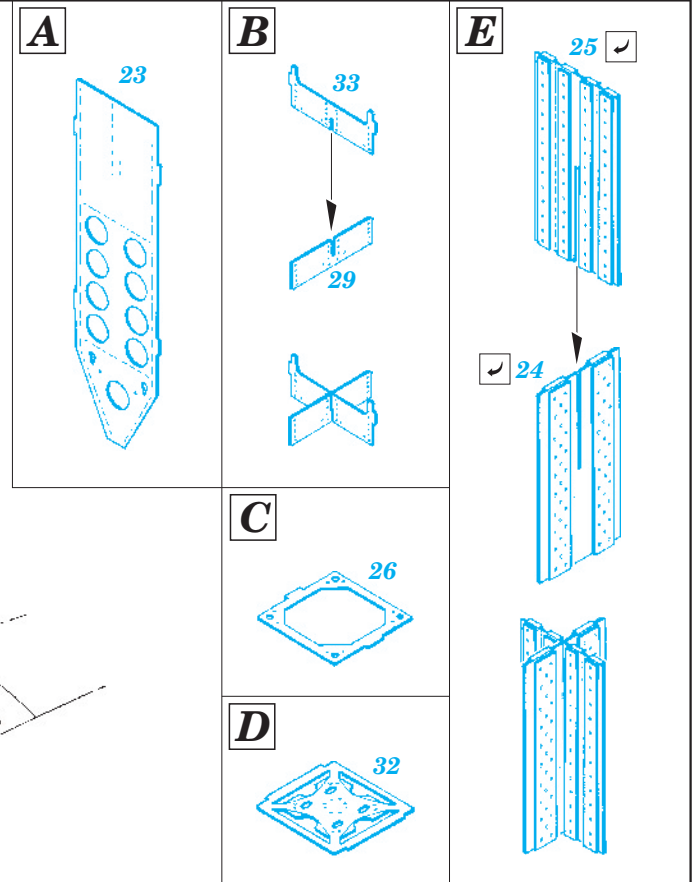
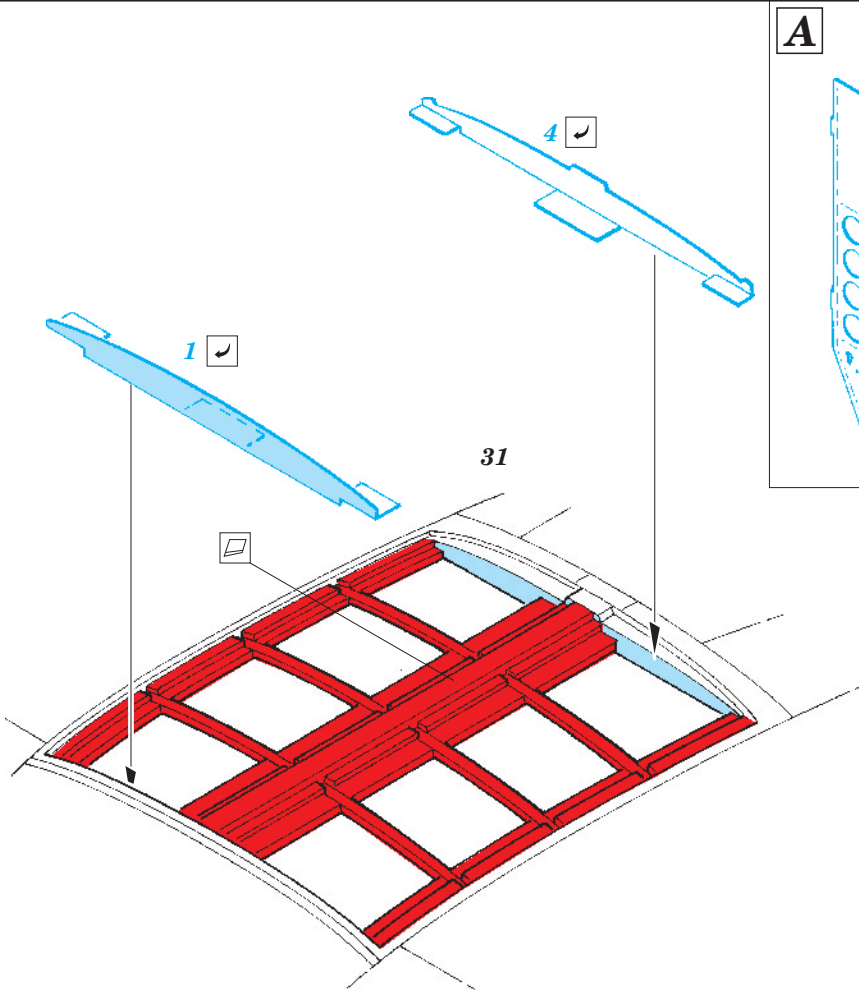
- APPLY EXPRESS MASK AND PAINT BEFORE GLUING
POUŽIT EXPRESS MASK NABARVIT PŘED SLEPENÍM
- SYMMETRICAL ASSEMBLY
SYMETRICKÁ MONTÁŽ
- REMOVE
ODSTRANIT
- GRIND
OBROUSIT
- DRILL HOLE
VRTAT OTVOR
- BEND
OHNOUT
- OPTION
VOLBA
- REPLACE
NAHRADIT

ORIGINAL KIT PARTS
PŮVODNÍ DÍLY STAVEBNICE

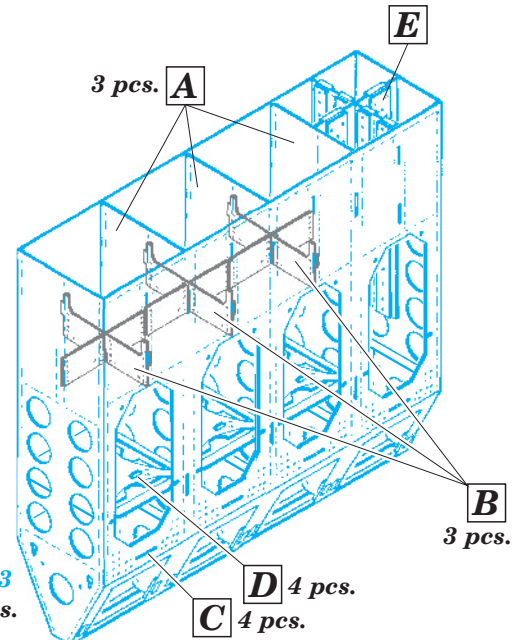
PHOTO-ETCHED PARTS
LEPTANÉ DÍLY

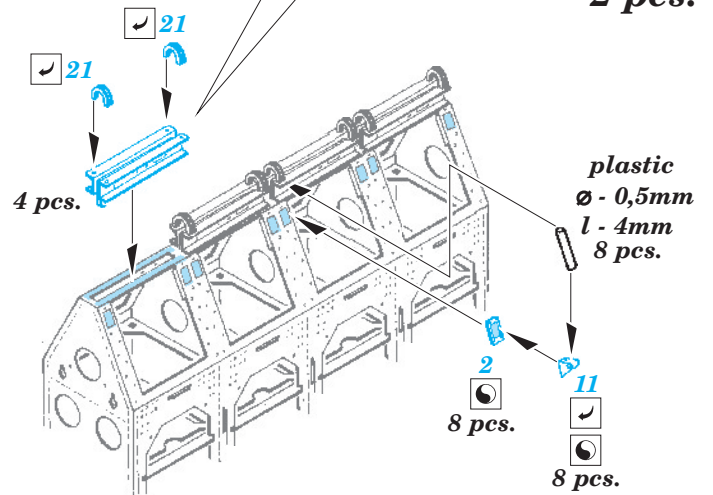
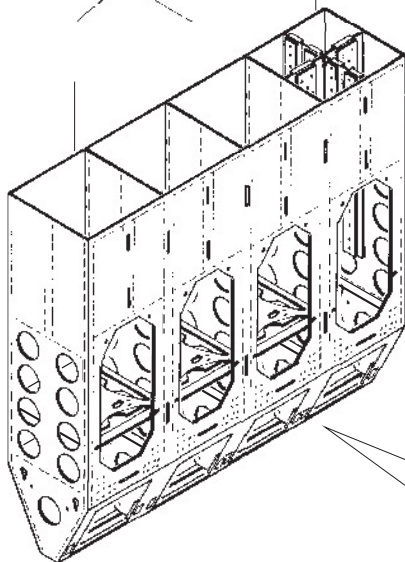
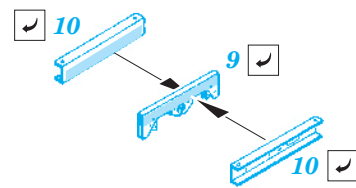
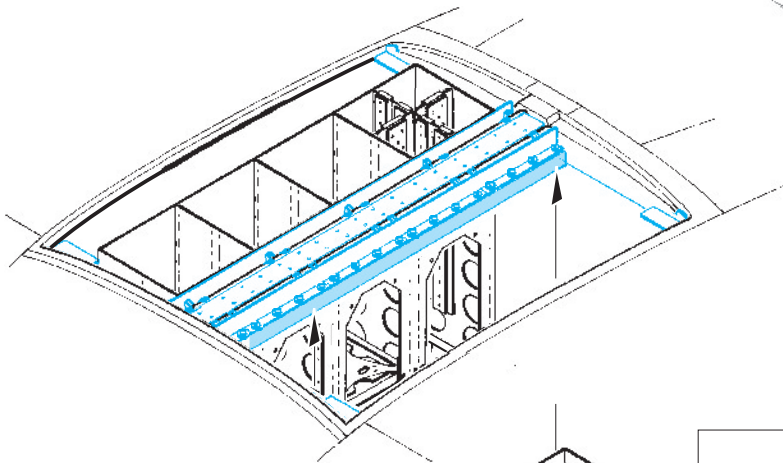
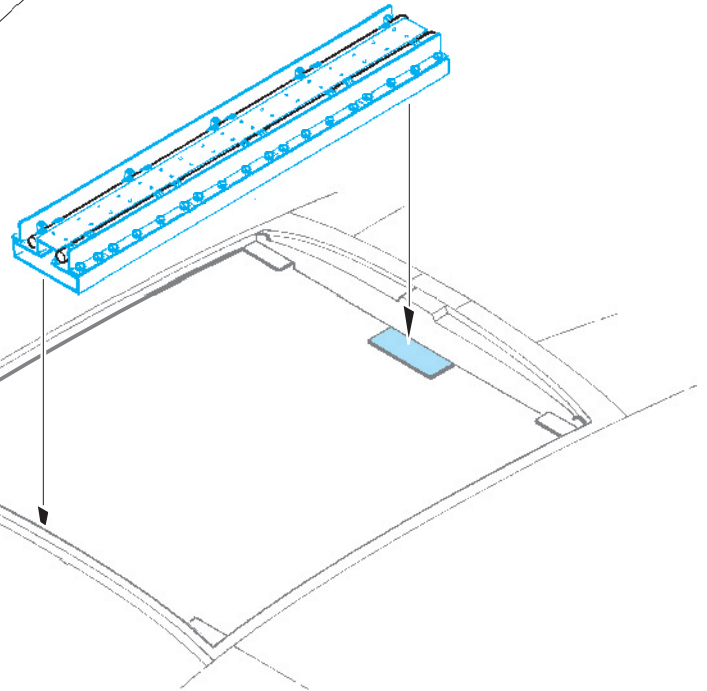
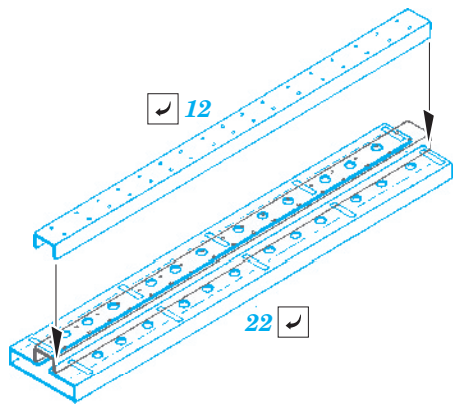
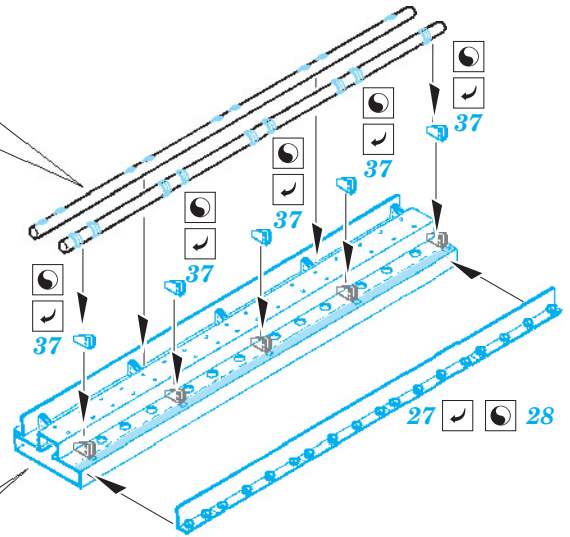
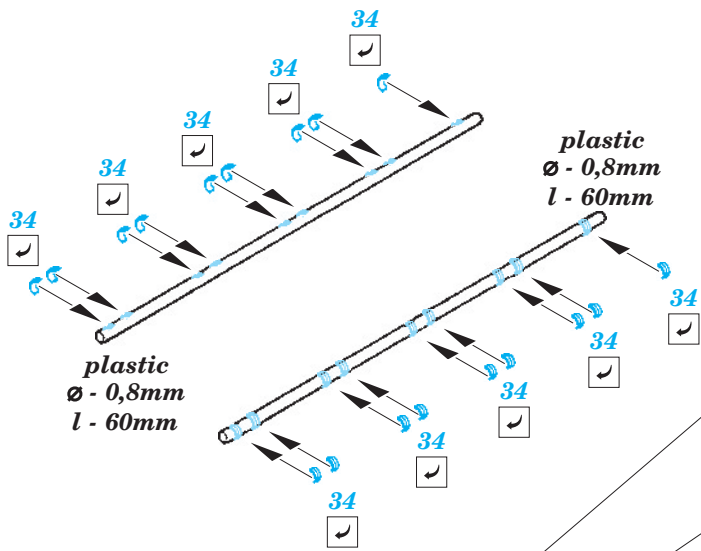
PARTS TO BE REMOVED
DÍLY K ODSTRANĚNÍ

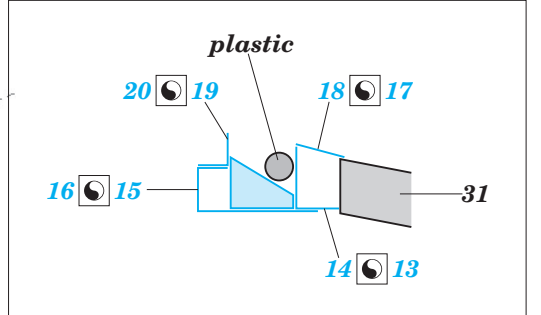
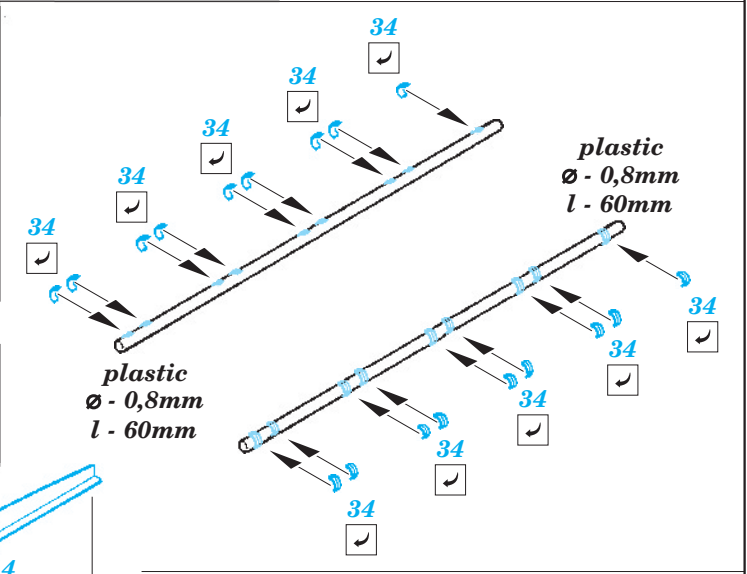
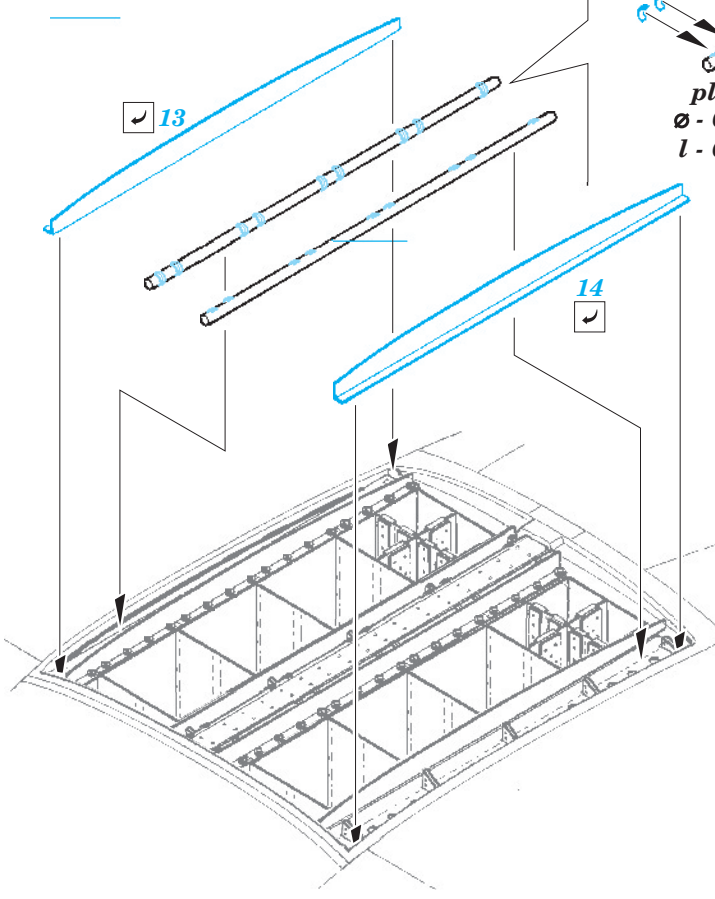
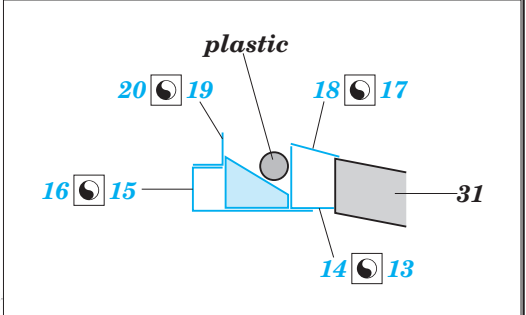
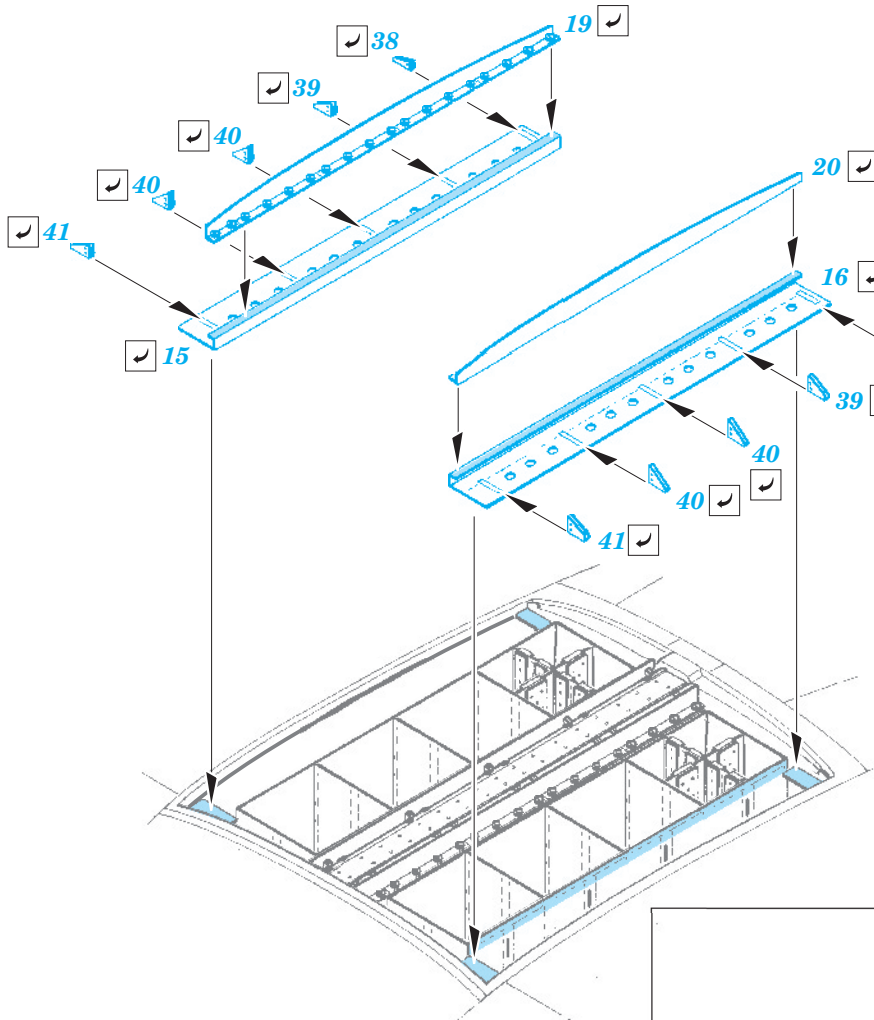
FILL
TMELIT

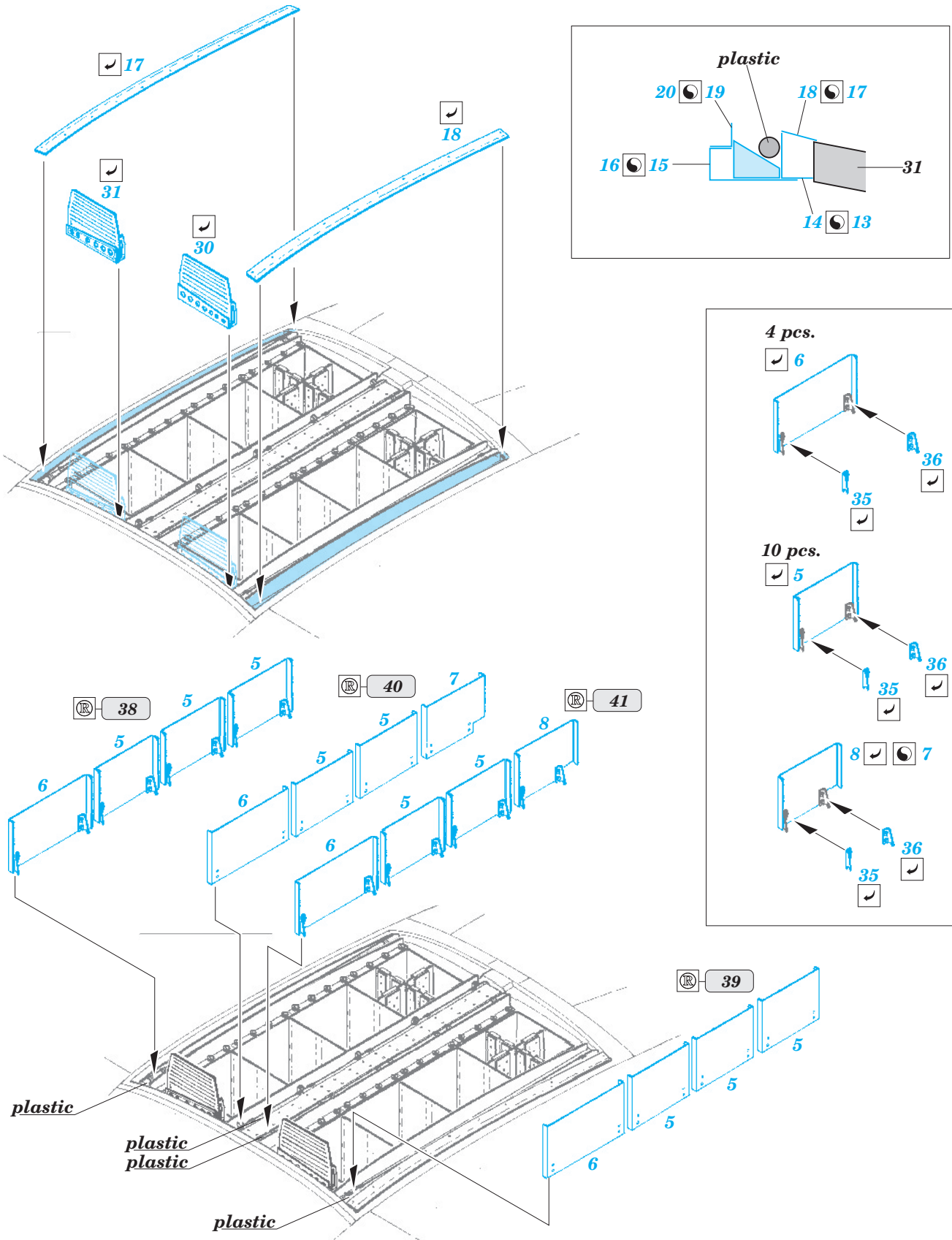


42, 43, 44









*For further detail sets look for **eduard** 32 708 He 111P-1 seatbelts
(not included in this set)*

*For further detail sets look for **eduard** 32 709 He 111P-1 interior
(not included in this set)*

*For further detail sets look for **eduard** 32 289 He 111P-1 exterior
(not included in this set)*