

35002

產品編號：35002

scale 1/35

1:35 比例



US Army Loader

Go through this assembly guide and understand it before you start kit assembly

Use usual plastic kit's cements and tools (not included in the kit)

Follow painting guide supplied, use only hobby paints

Work carefully with photo etched parts if included, use C/A glues to assemble them

請您在組裝此產品前仔細閱讀組裝指南；

請使用通用塑膠模型黏合劑和工具(本產品不附帶)；

本產品所以提供的噴塗指南只適用本於模型；

如果本產品含有蝕刻套件,請小心仔細處理,請使用C/A膠水組裝；



cut/remove

切下 / 移除



drill hole

鑽孔



no glue

不適用膠水



bend

折彎



cyanoacrylate glue 氰基丙烯酸酯膠水



string or wire

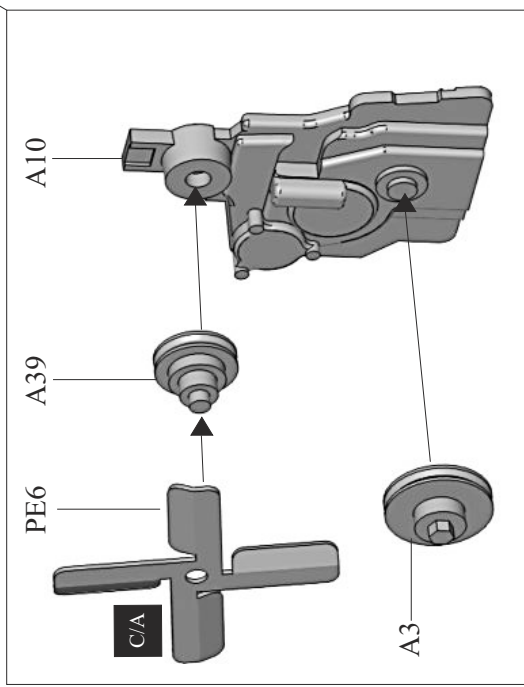
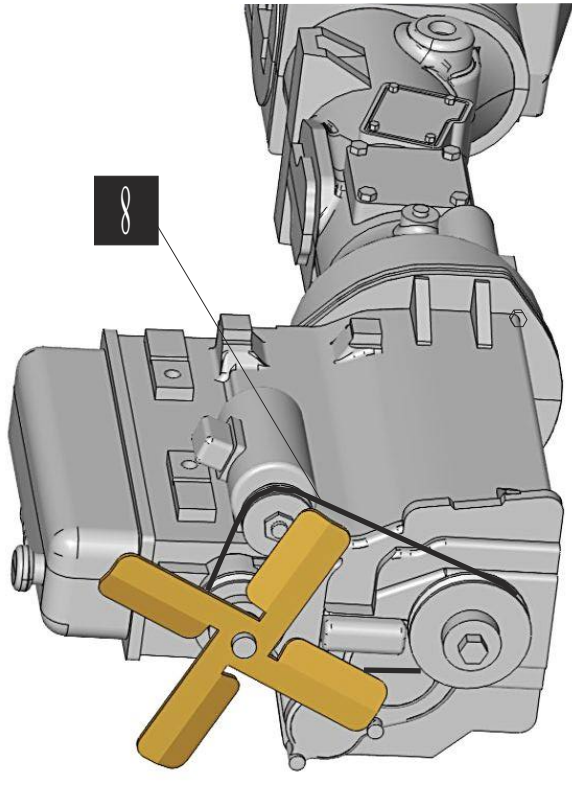
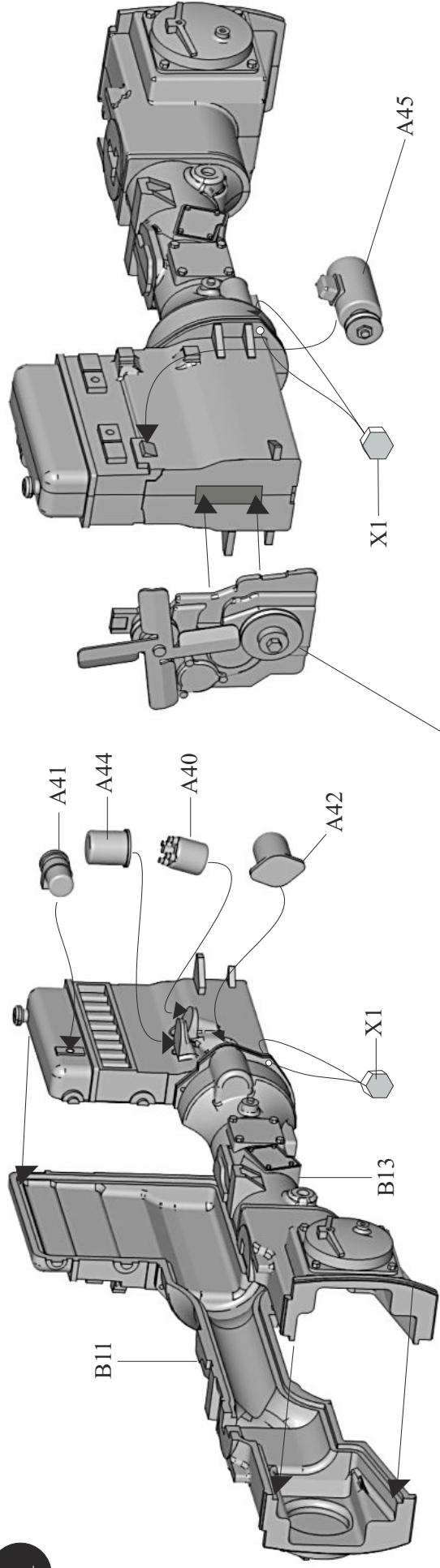
細繩或者金屬絲線



rope

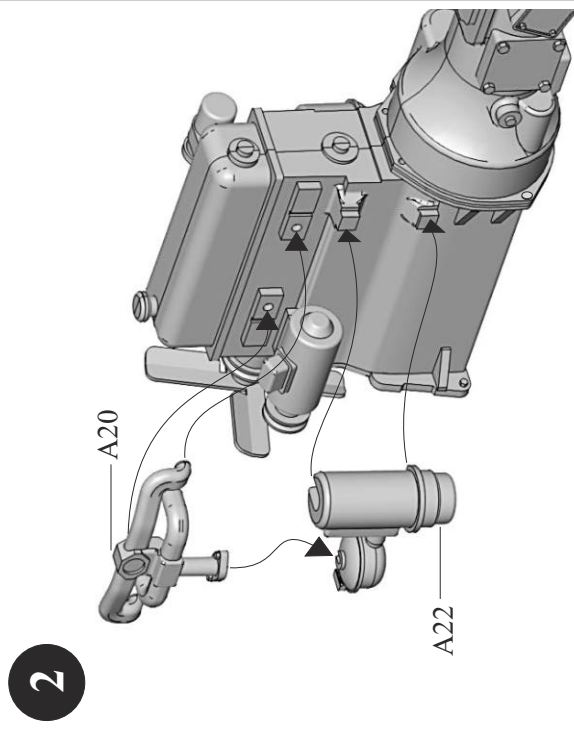
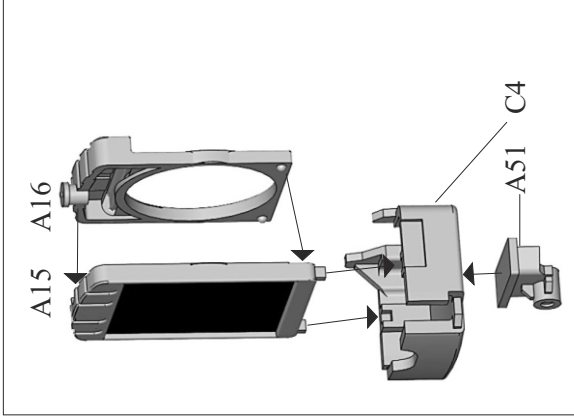
繩

1

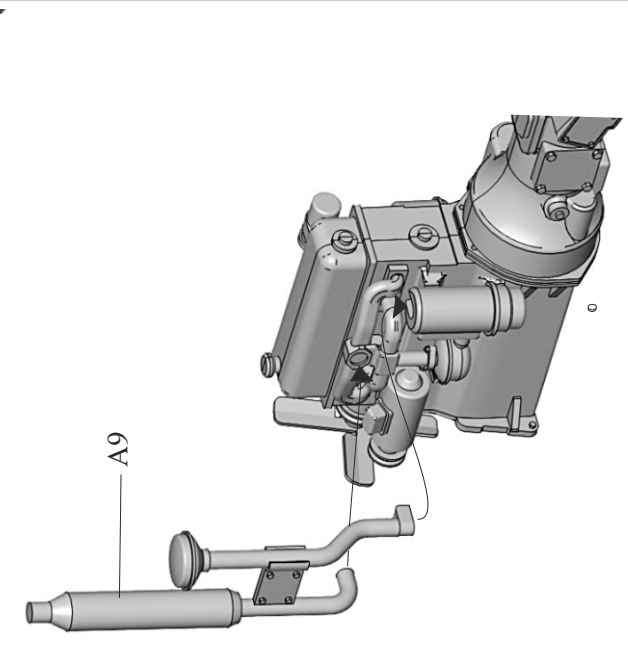
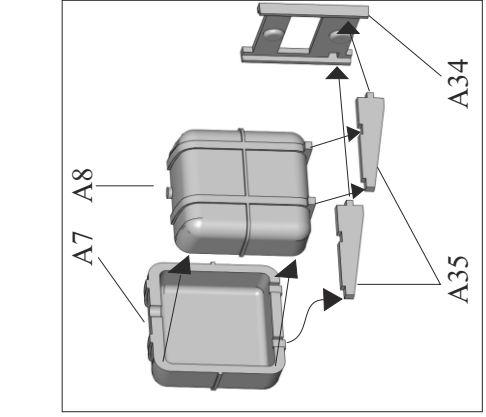


2

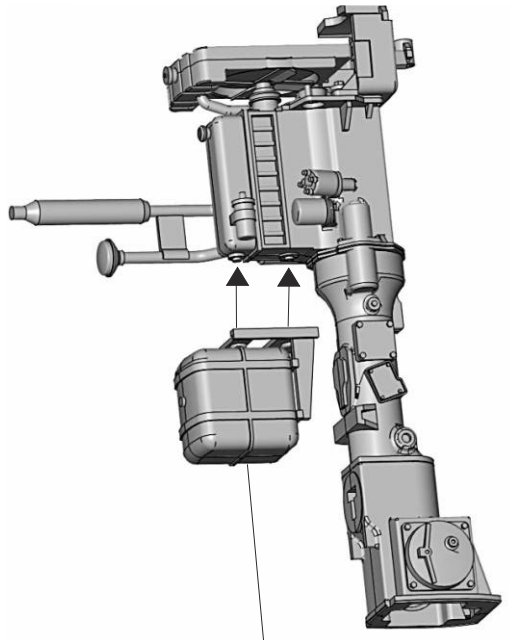
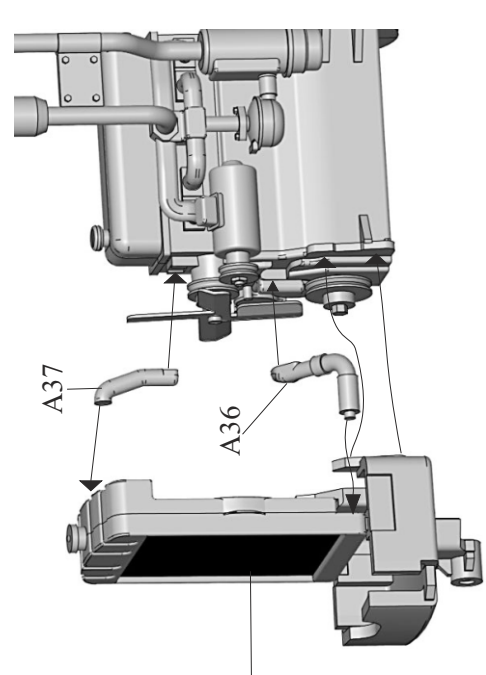
3

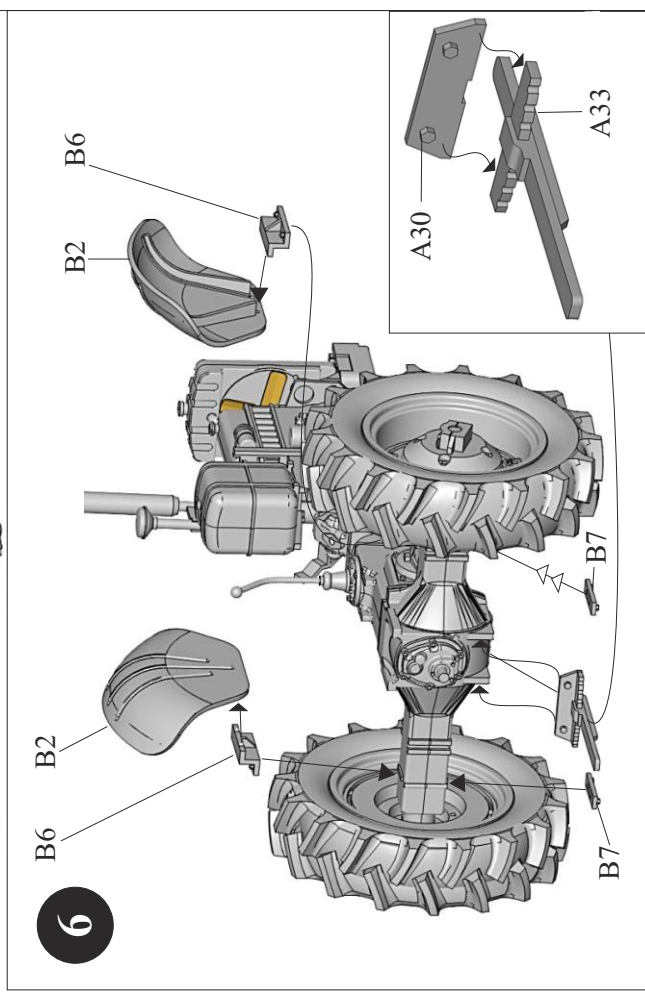
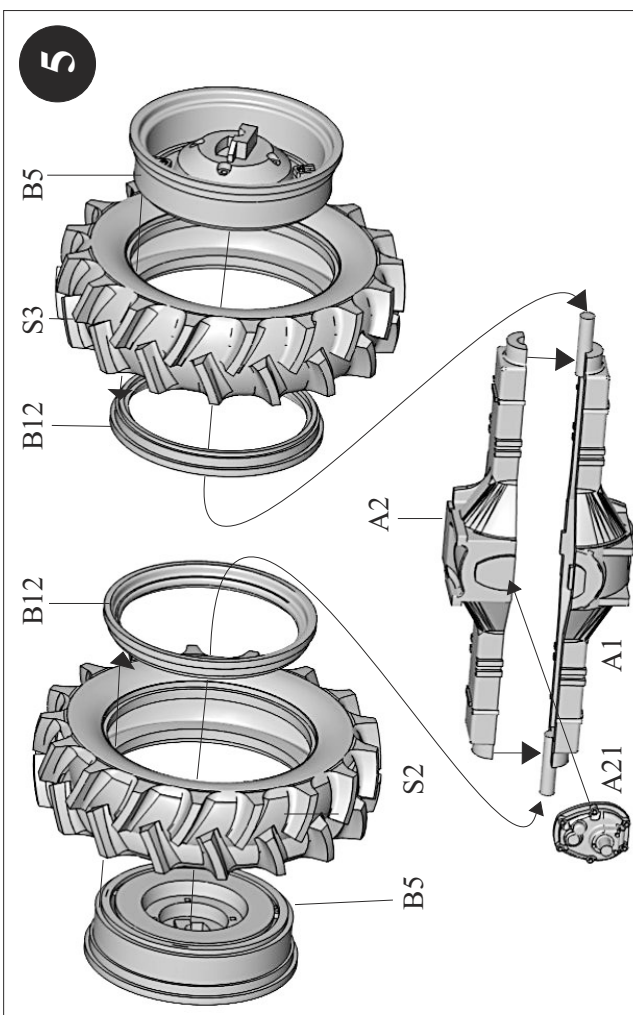
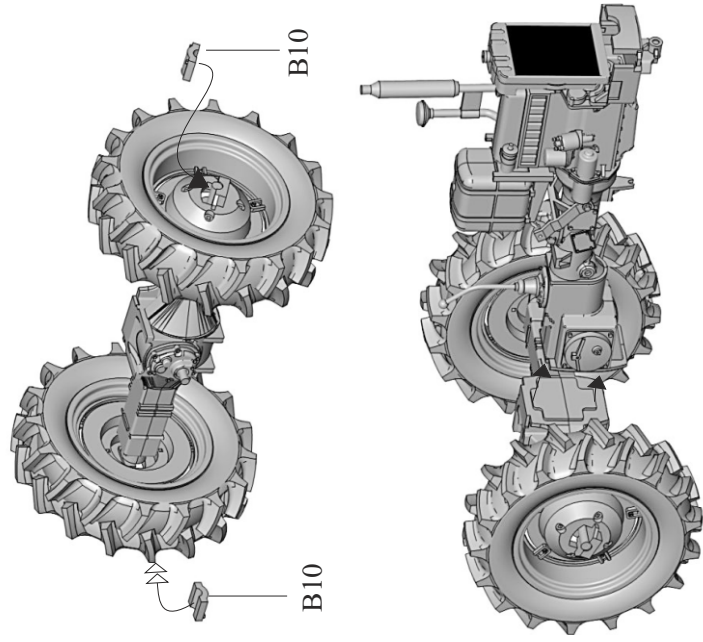
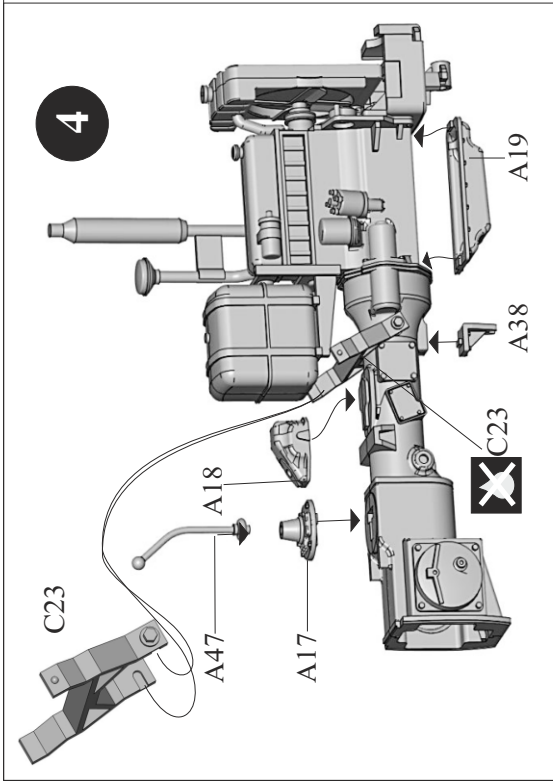


2

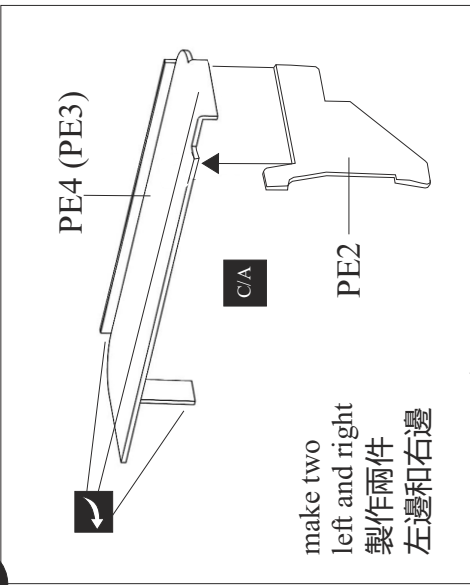


3

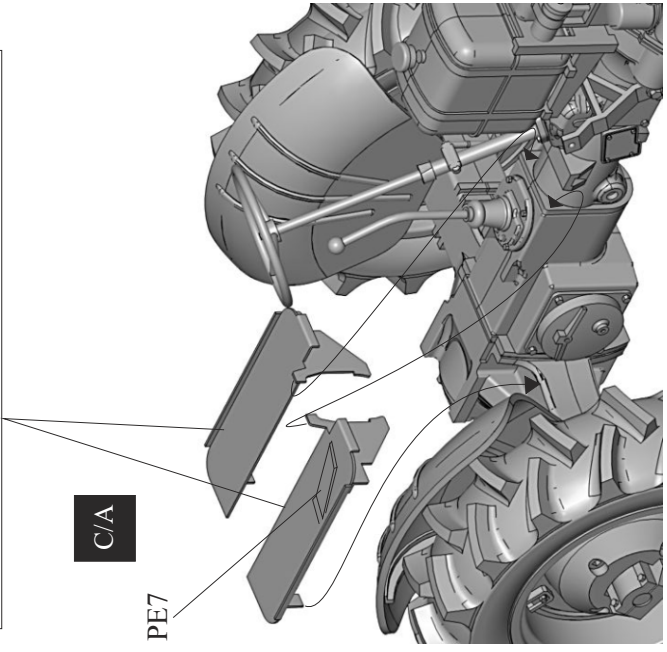




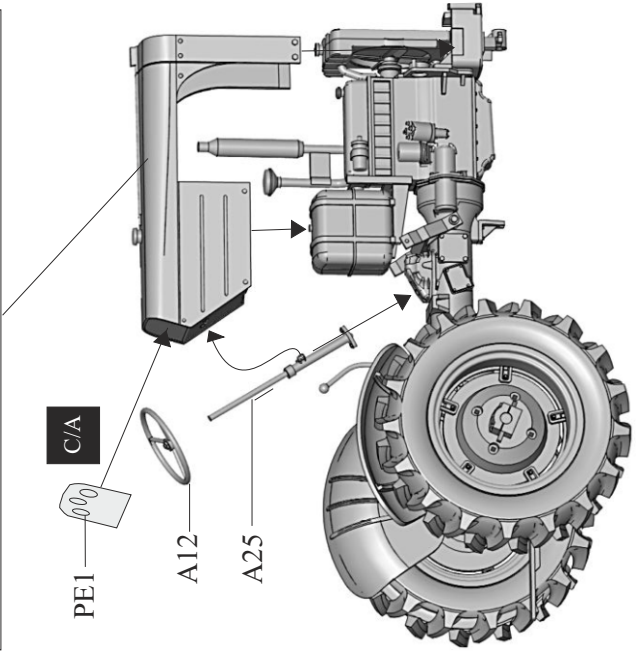
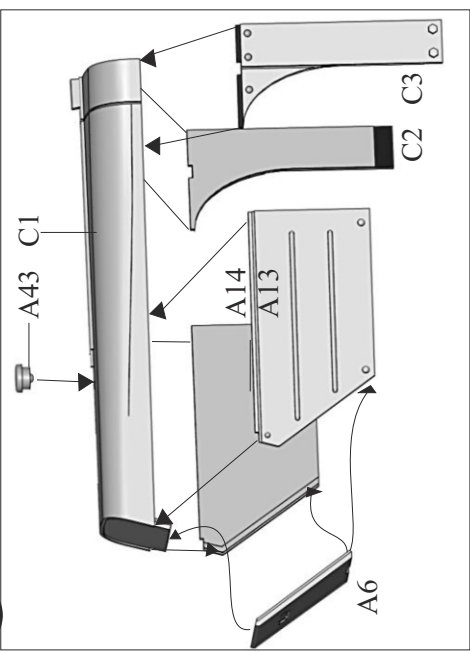
7



make two
left and right
製作兩件
左邊和右邊

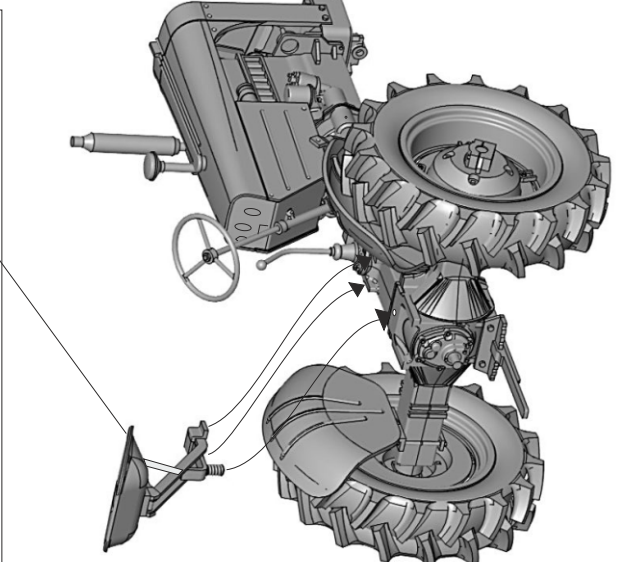
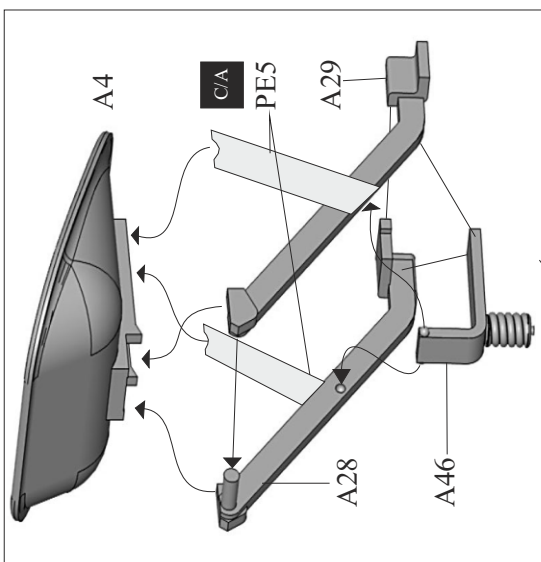


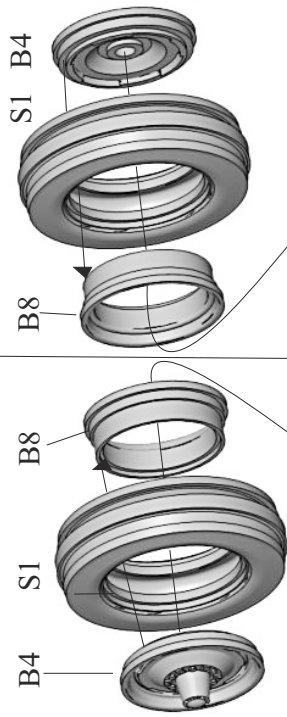
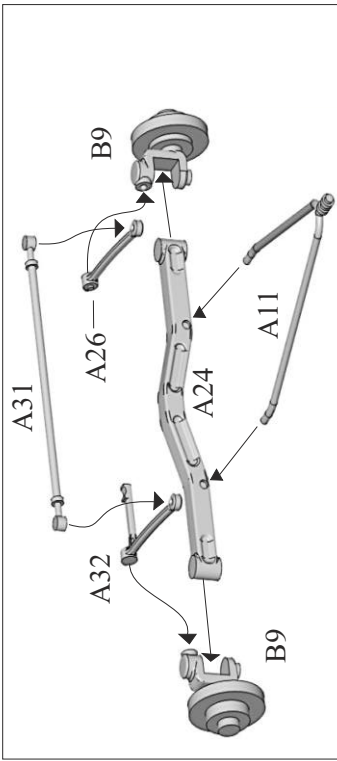
8



5

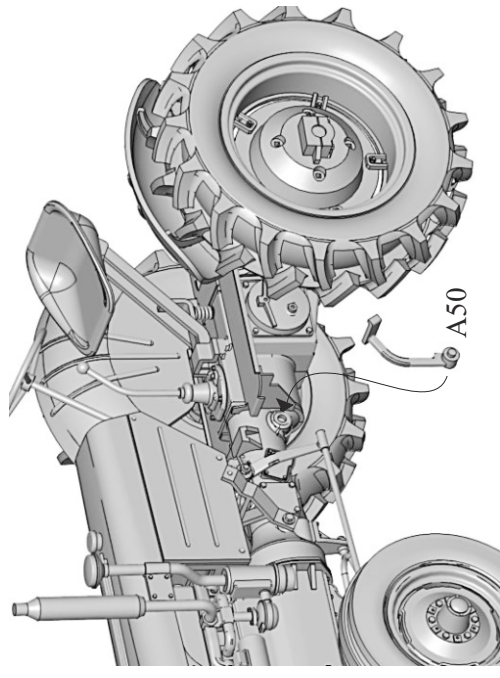
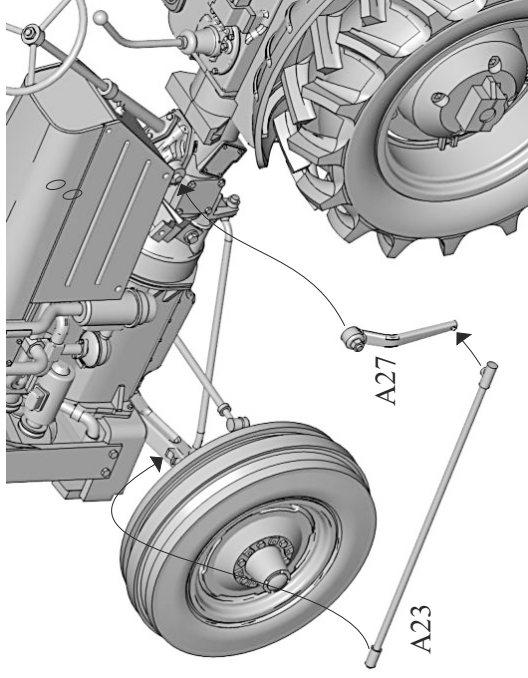
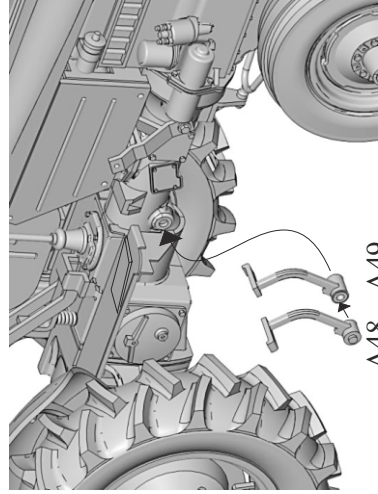
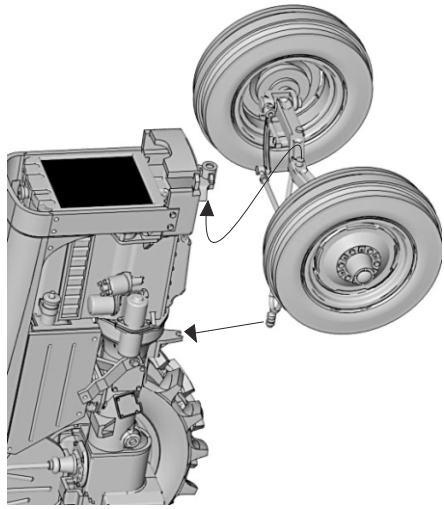
9

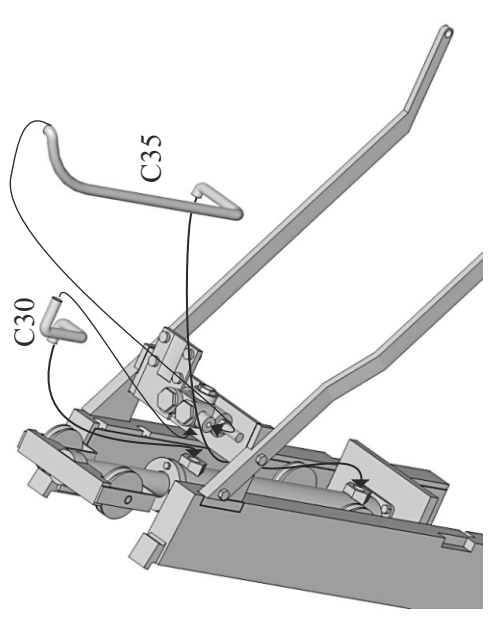
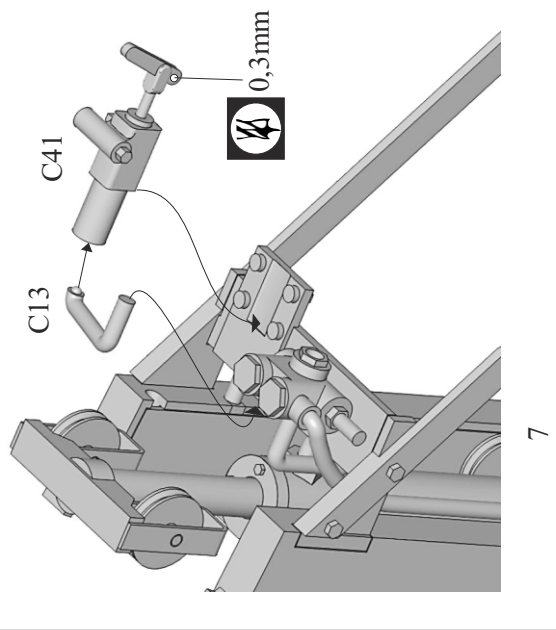
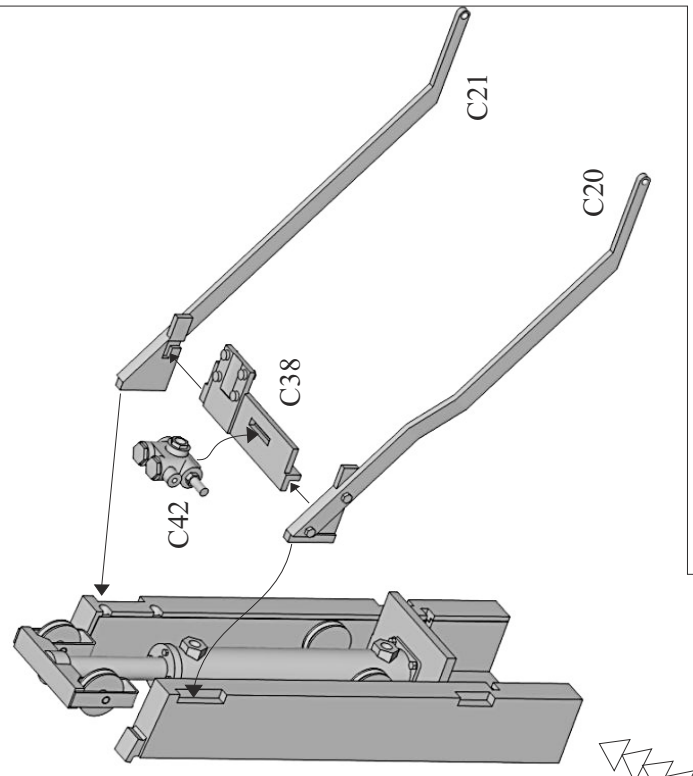
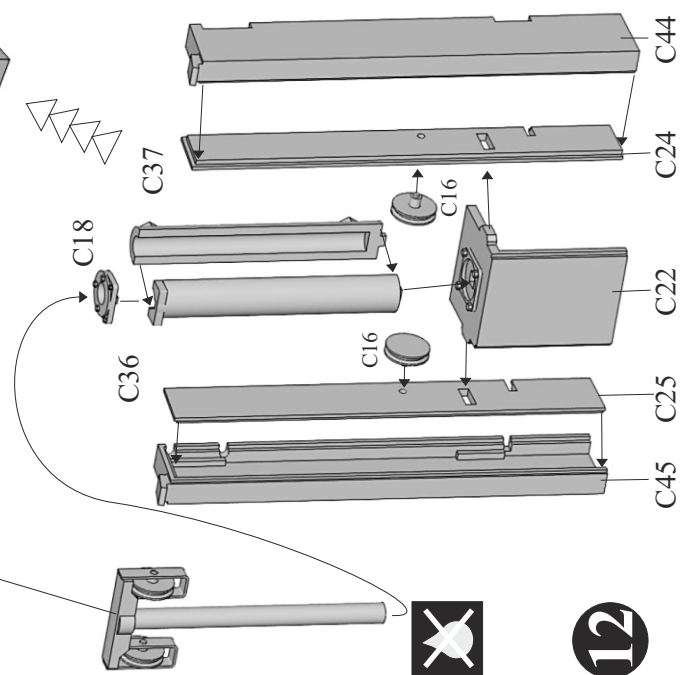
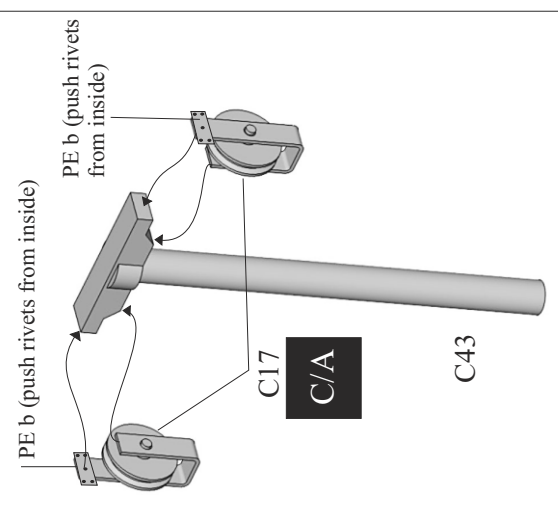




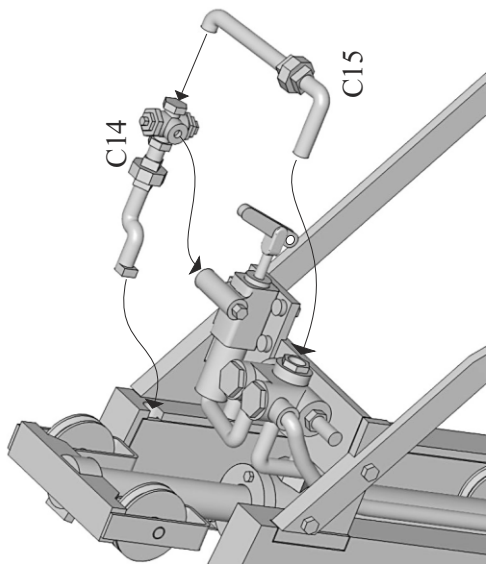
10

11





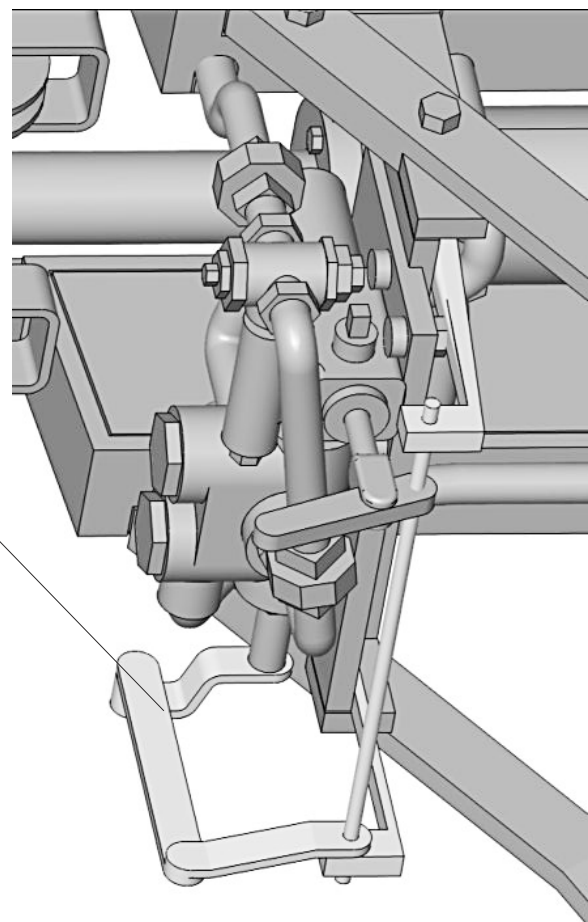
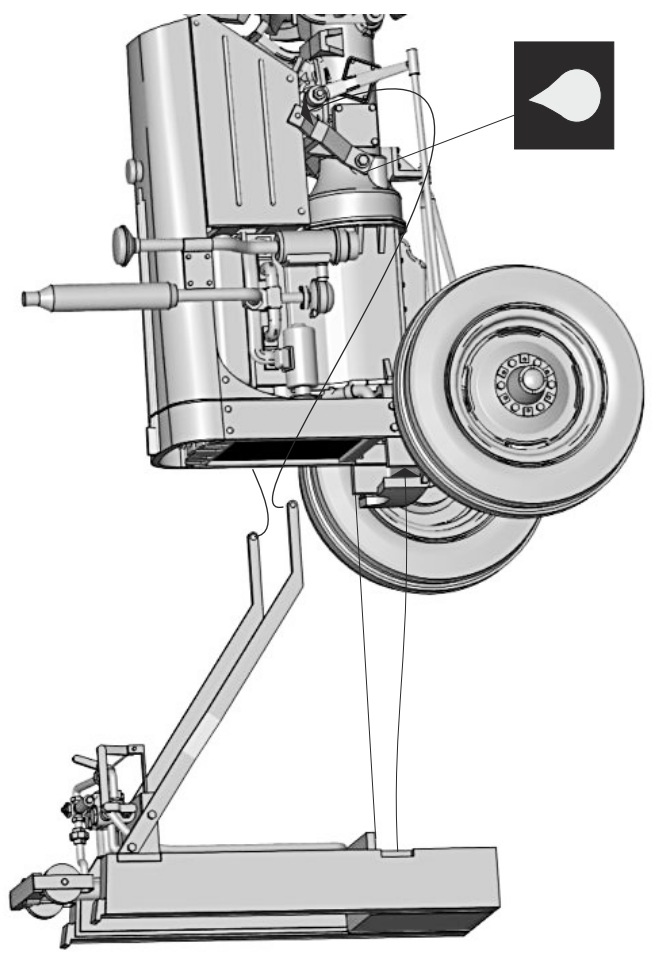
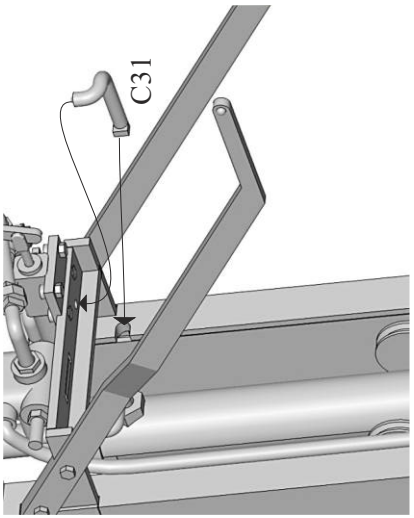
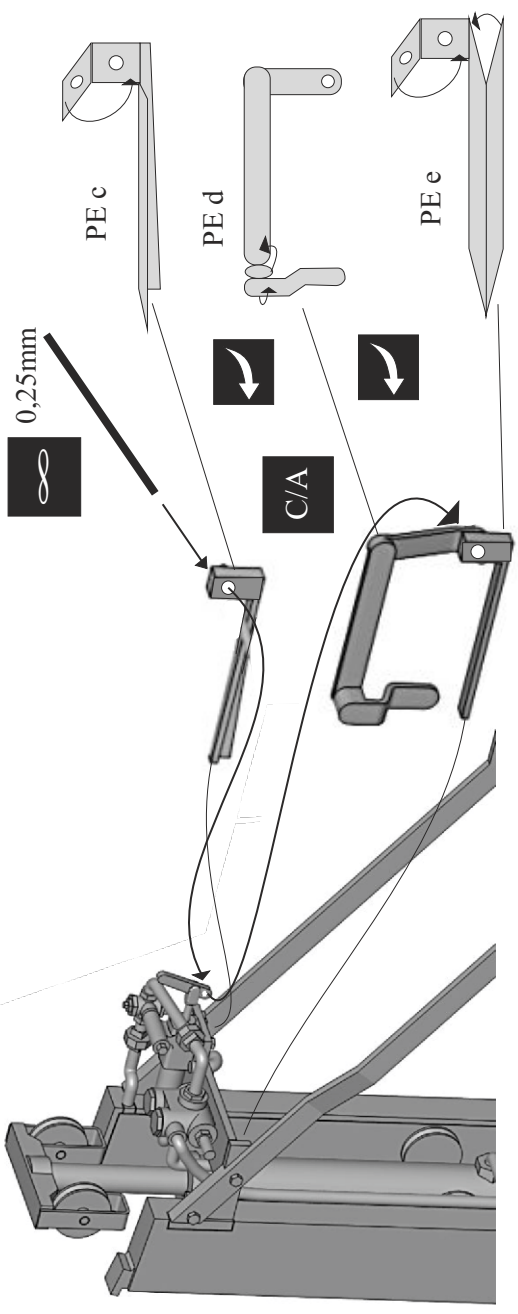
13



12

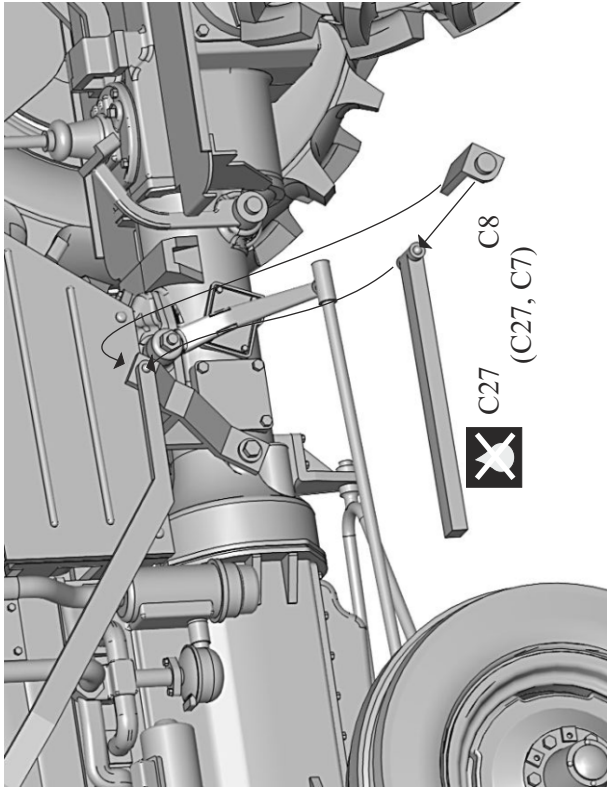
7

0,3mm

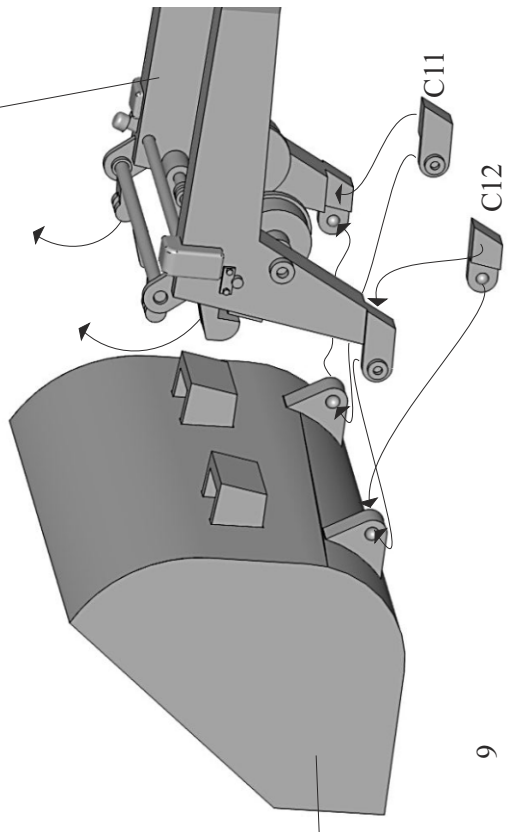
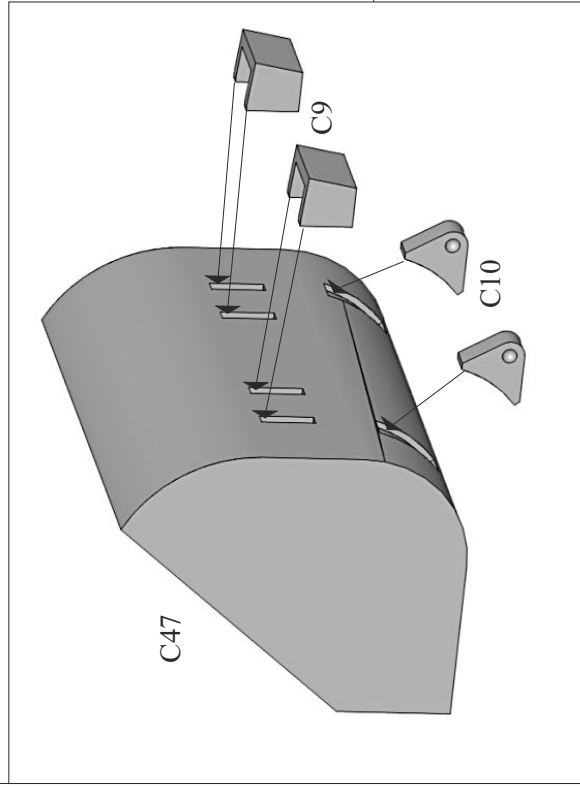
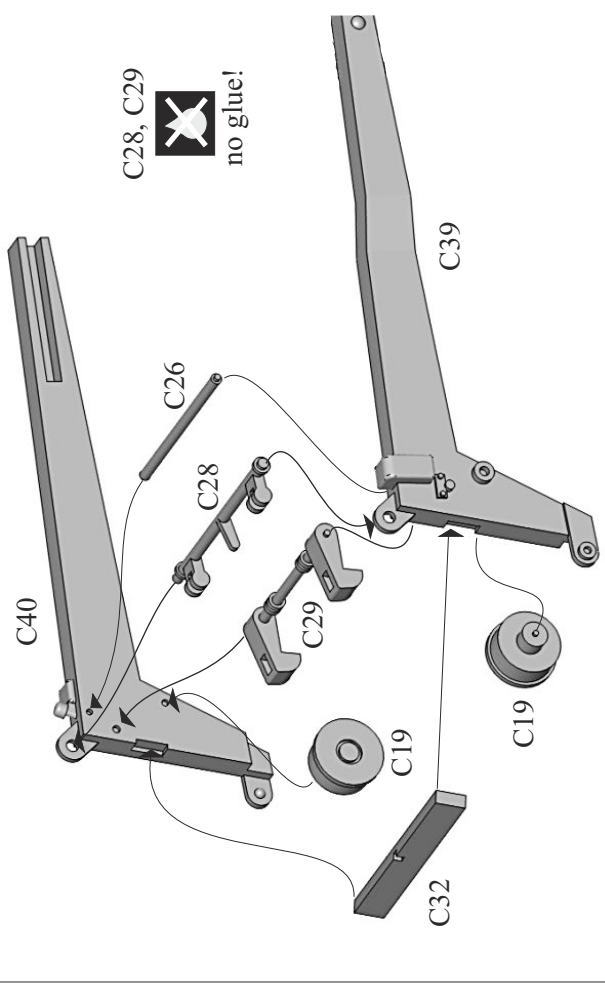


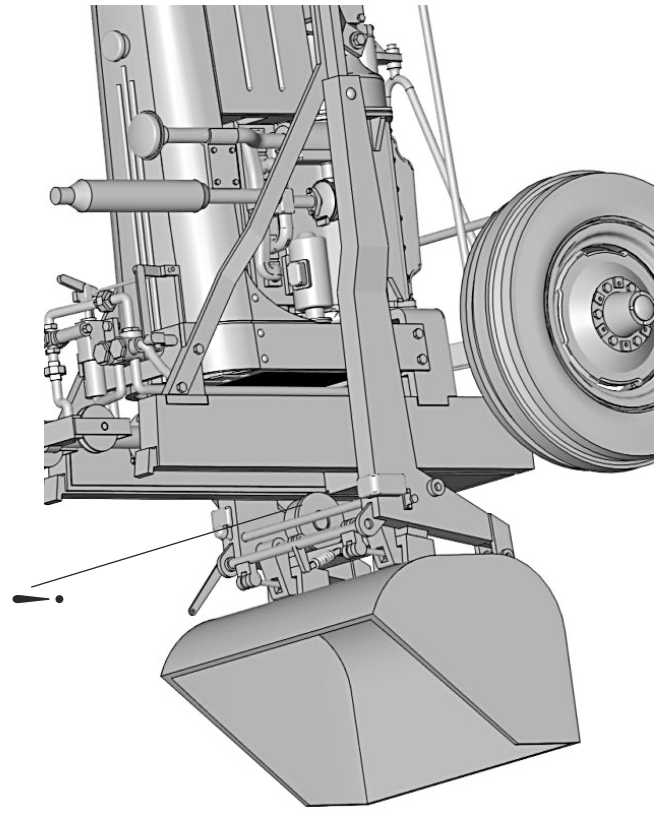
14

8



15

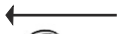
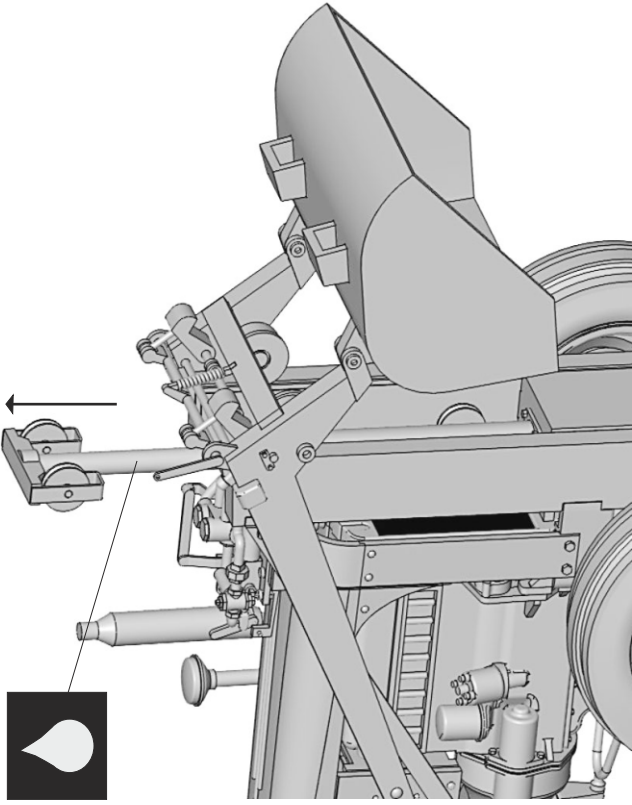





16

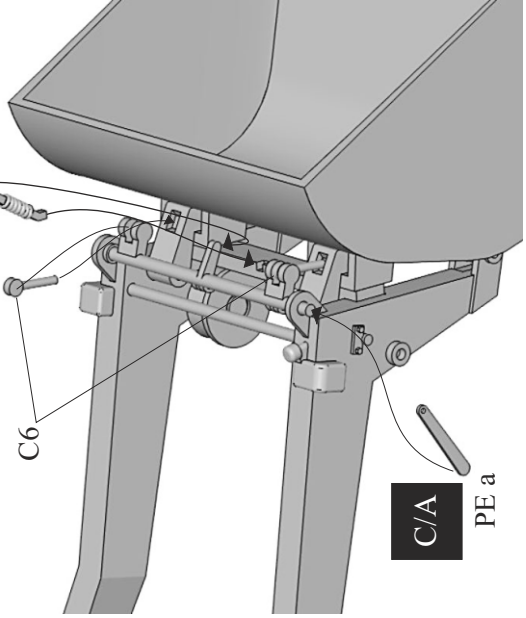
?

10



C5, C6 

do not glue
C5, C6 until
you set blade
in position
you want

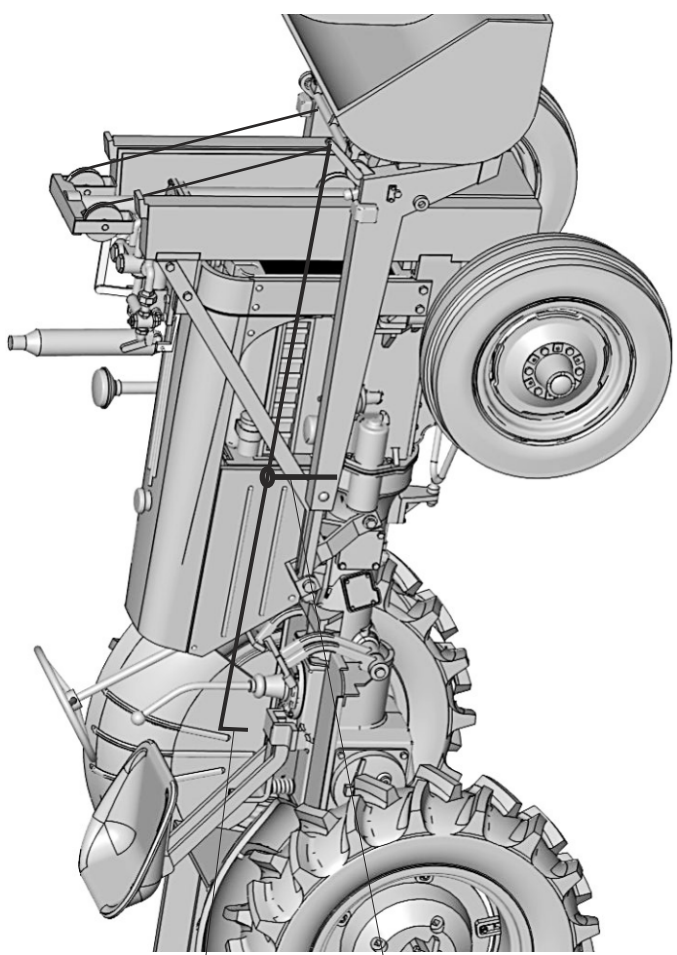


C5

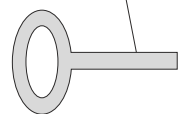
C6

C/A

PE a



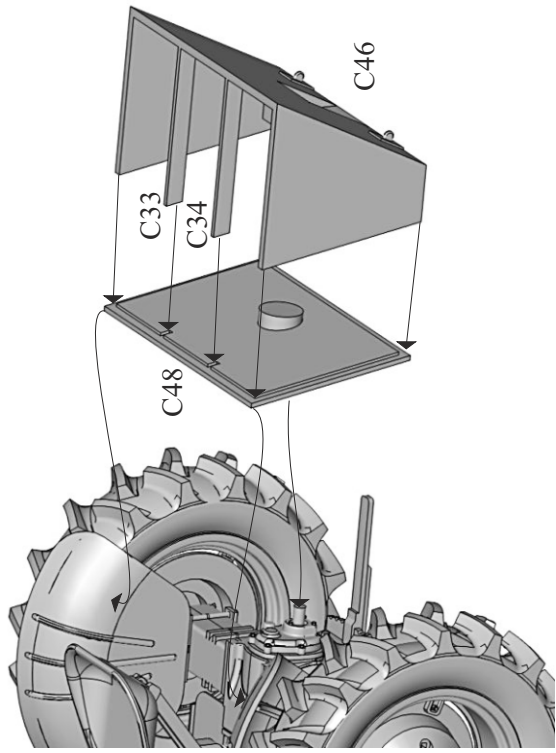
0,25 mm



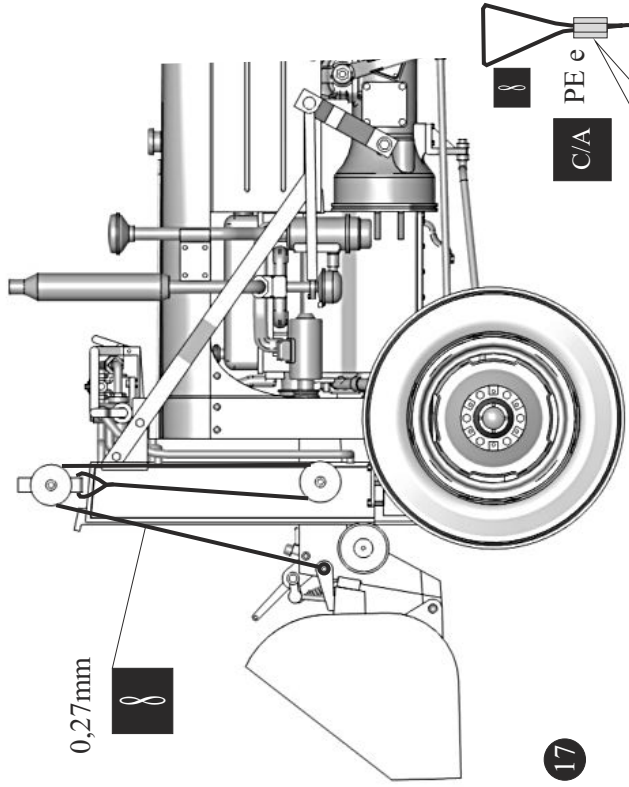
PE f

C/A

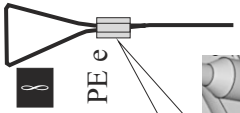
18



11



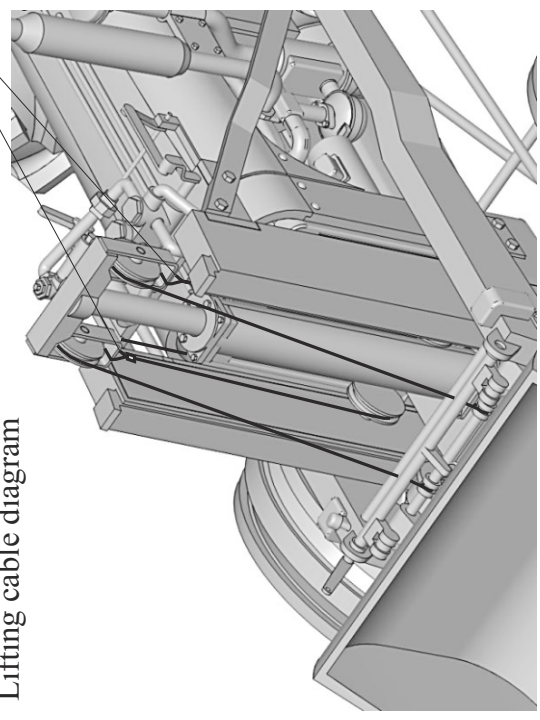
0,27mm



C/A

17

Lifting cable diagram



X1

