

eduard
Express Mask

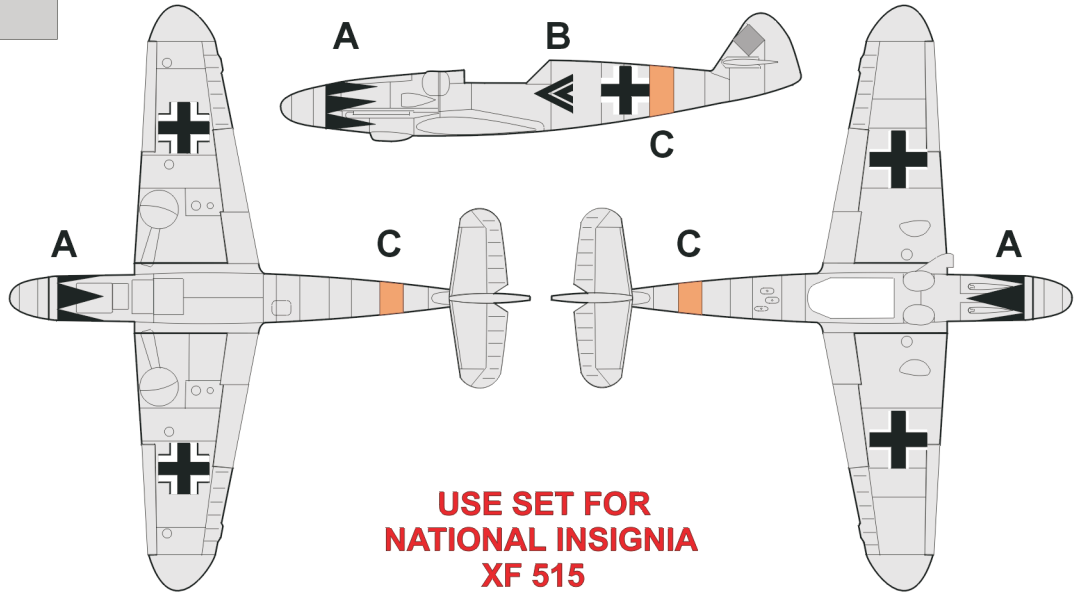
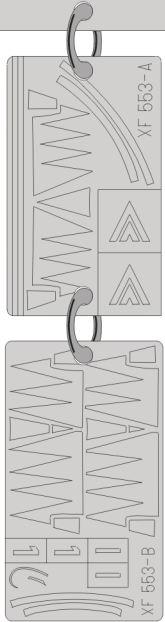
Bf-109G Hartmann Camo. Mkgs

The die-cut mask for accurate canopy frame painting of the

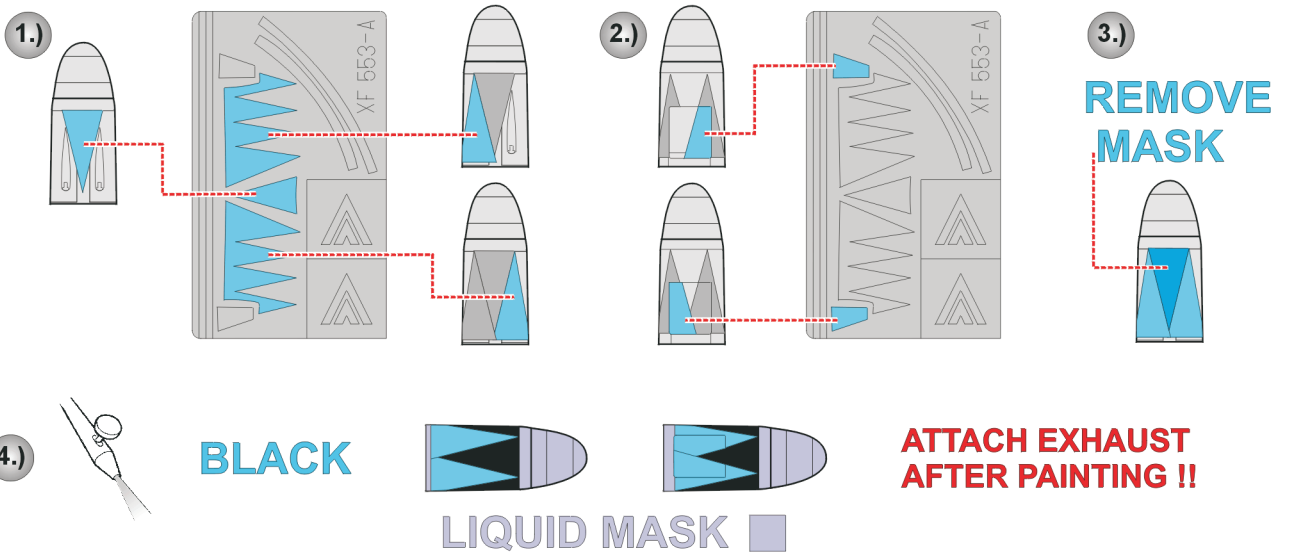
Hasegawa 1/48 KIT

XF 553

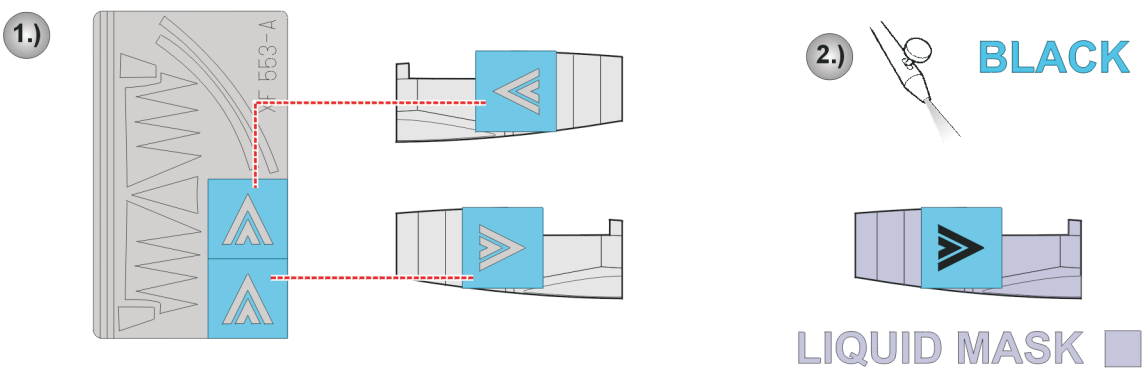
Kdr.I./JG53 Oblt. Erich Hartmann



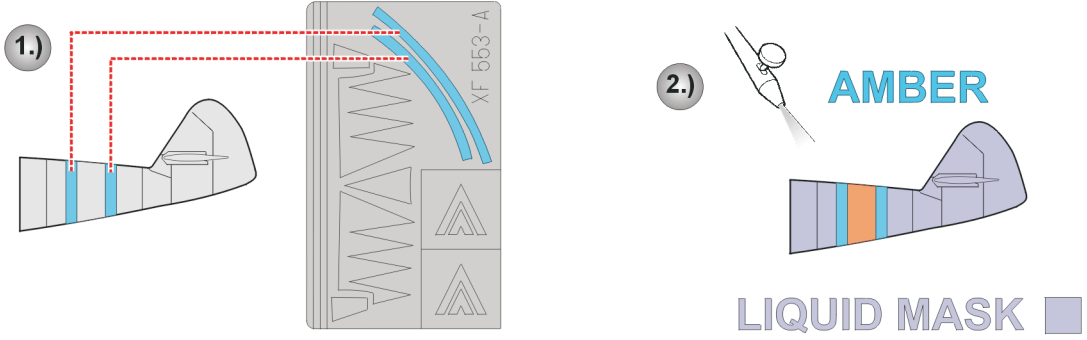
A



B

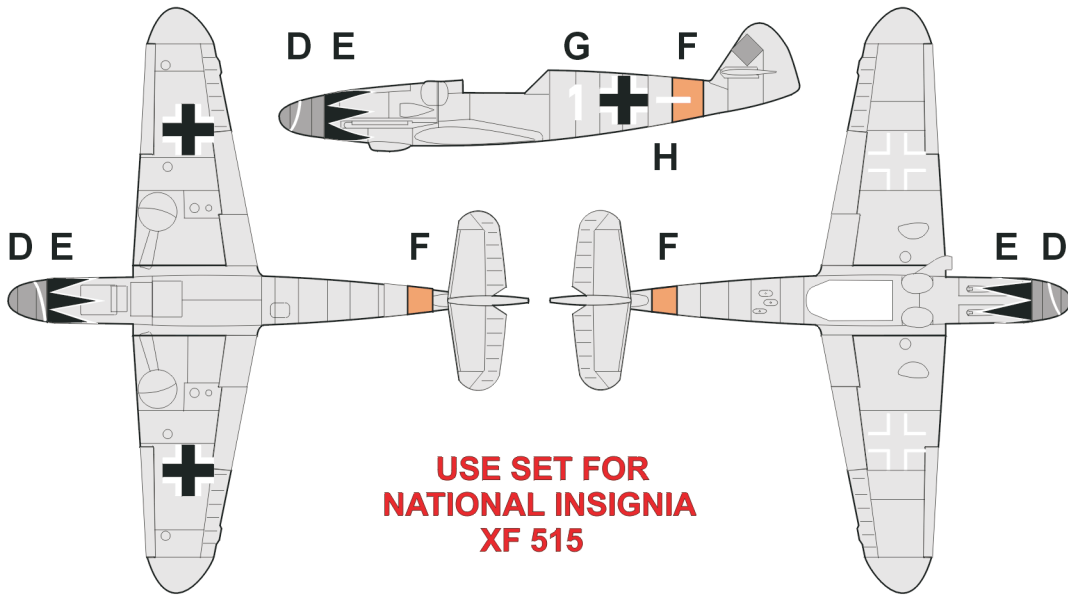


C

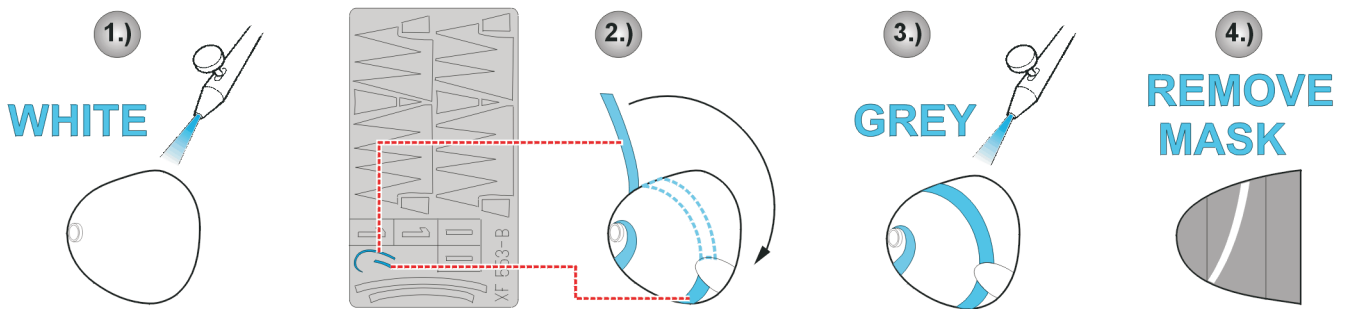


?

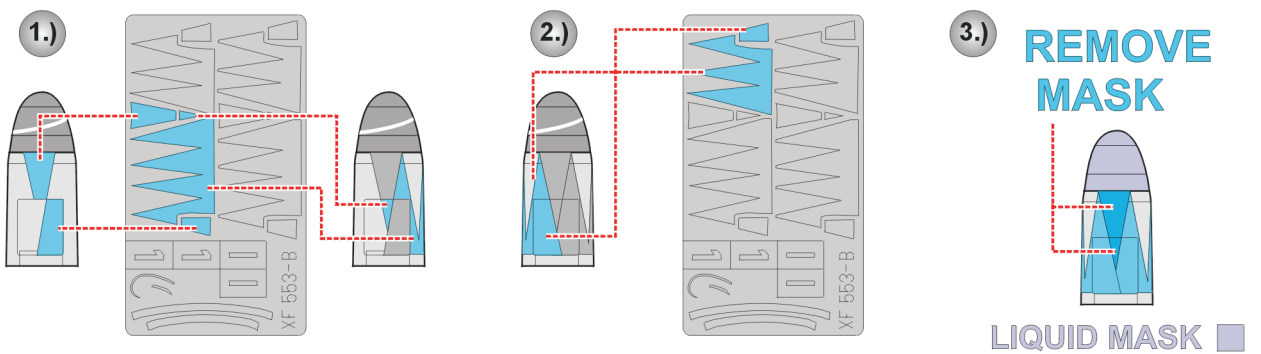
Sta.Kap.7./JG52 Oblt. Erich Hartmann

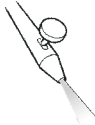
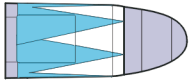


D

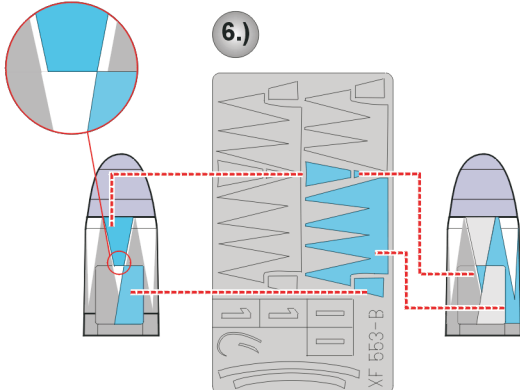
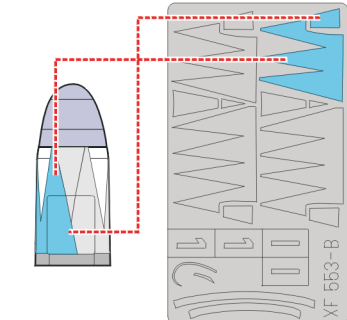
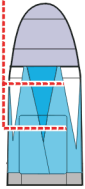


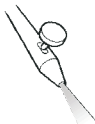
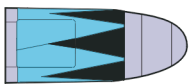
E

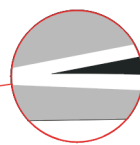


4.)  **WHITE**  **ATTACH EXHAUST AFTER PAINTING !!**

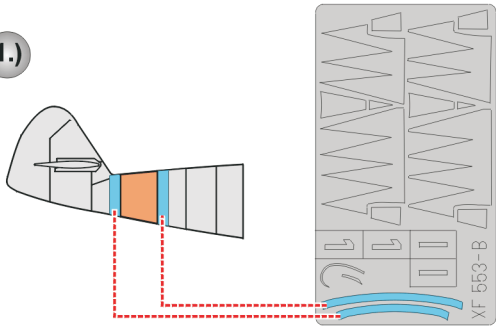

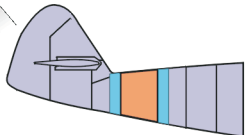
5.) **REMOVE MASK** 

6.)   7.) **REMOVE MASK**  **LIQUID MASK** ■

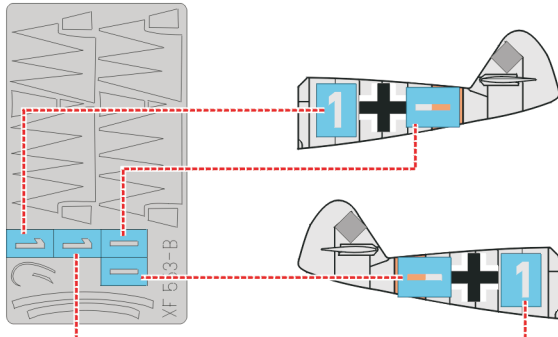

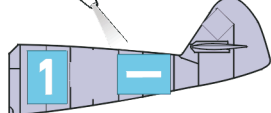
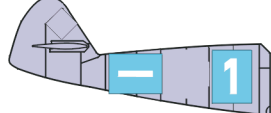
9.)  **BLACK**  **ATTACH EXHAUST AFTER PAINTING !!**

10.) **REMOVE MASK**  

F

1.)  2.)  **AMBER**  **LIQUID MASK** ■

G,H

1.)  2.)  **WHITE**   **LIQUID MASK** ■