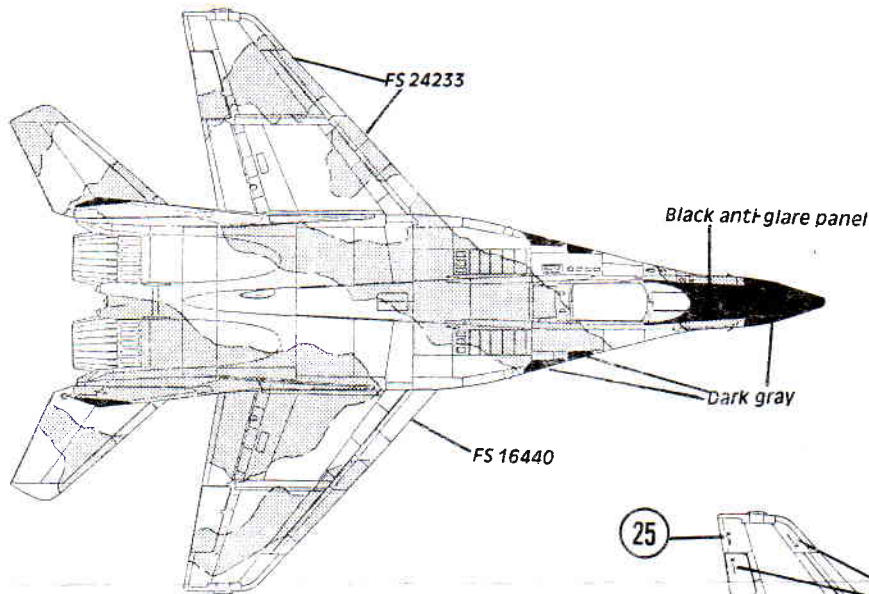


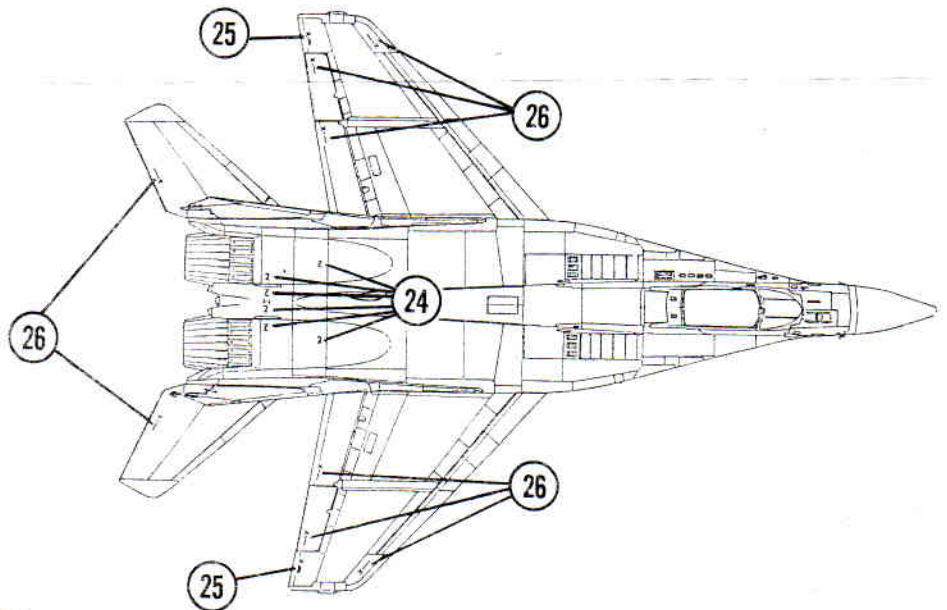


72-621
Mig-29 Fulcrums
Syria, U. S. S. R., Yuguslavia
Last East German Mig, Unified Germany

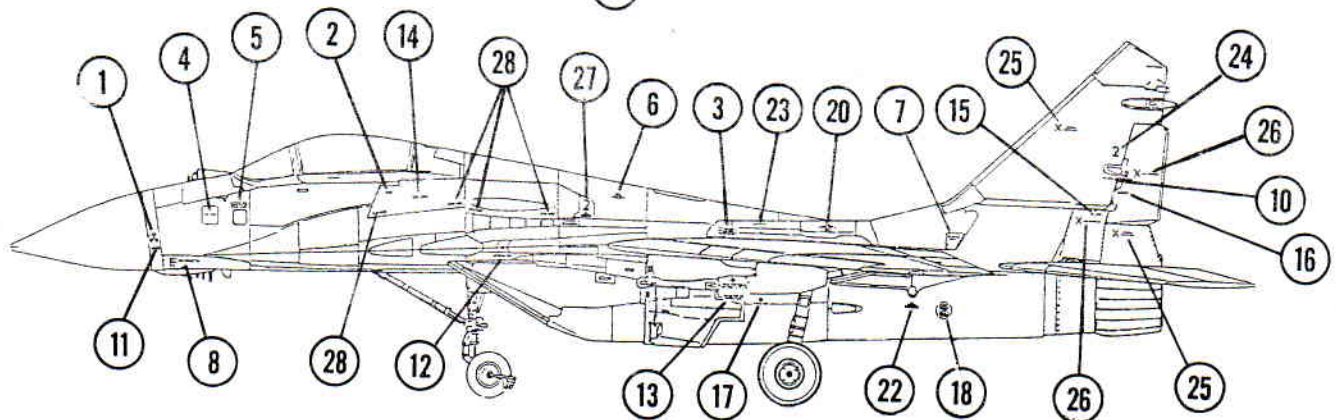
SCALE MODEL DECALS



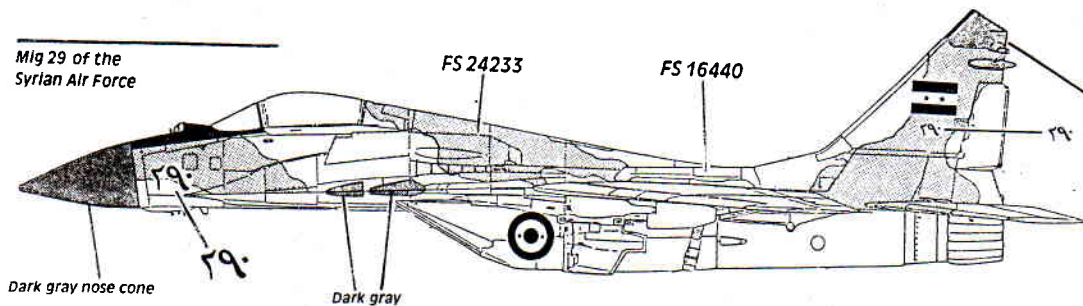
See July 1989 issue of
 "Fine Scale Modeler"
 For paint mixing instructions



The stencil data may not be suitable for front line Soviet, Yugoslav, or East German Fulcrums. It has been seen on test bureau aircraft and non Warsaw Pact exports such as Syria, Iraq, Iran, India and Cuba



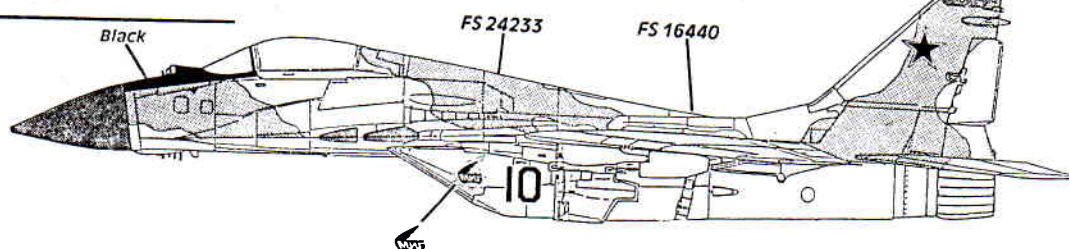
Mig 29 of the Syrian Air Force



See July 1989 Issue of "Fine Scale Modeler" For paint mixing instructions

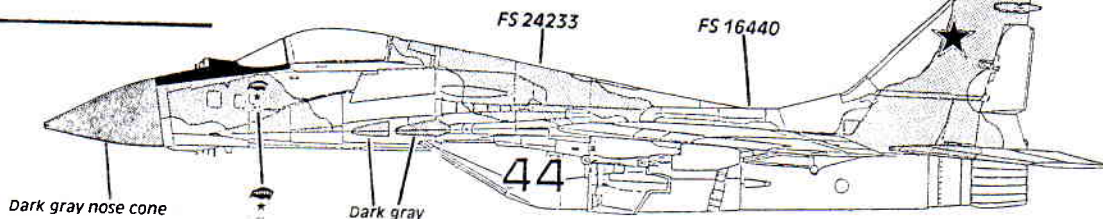
Dark gray with black leading edge

Mig 29 In service with the O. K. B. Test and Design Bureau



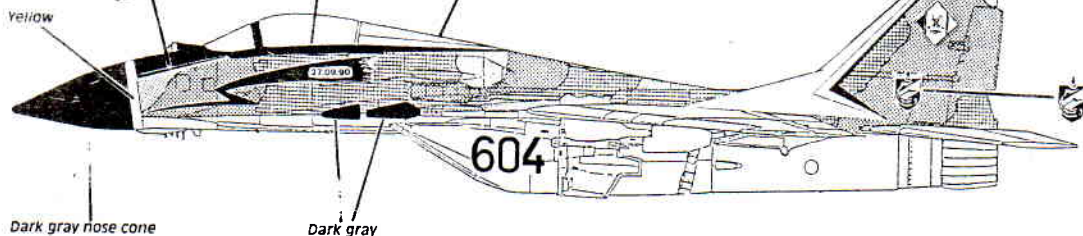
Dark gray with black leading edge

Mig 29 In service with a Soviet Guards Regiment



Red and yellow stripe forms border of black anti-glare panel

Black canopy frame

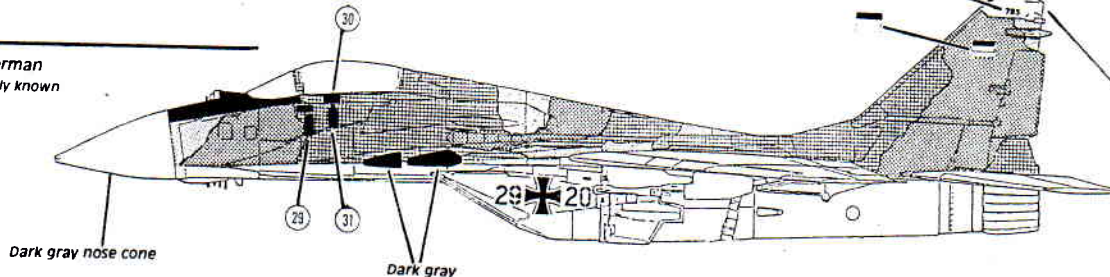


Red 604 participated in the last flight of the Mig 29 in East German service on Sept. 27, 1990 and was specially painted to mark the occasion

- Dark Green FS 34079
- Medium Green FS 34102
- Dark Tan FS 30219
- Dark Brown FS 30099

Entire underside FS 16440

Mig 29 of the German Air Force (formerly known as Red 785)



Dark gray with black leading edge

Mig 29 of the Yugoslav Air Force, used for both air defence and ground attack

