

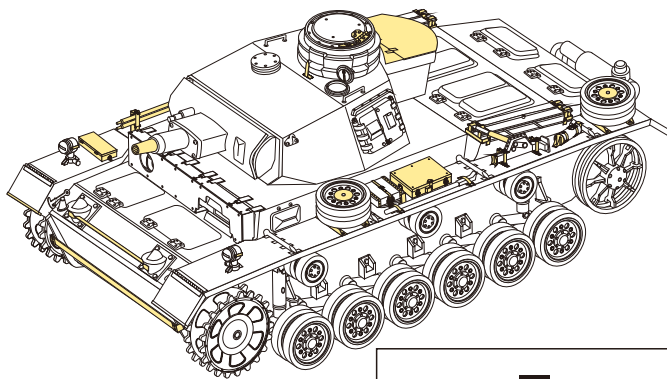
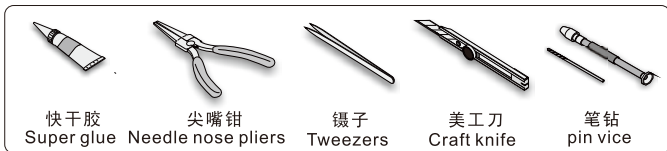
1/35 MILITARY MINIATURE VEHICLE UPGRADE SERIES PE35337

# WWII Pz.KPfw.III Ausf N late version

## 二战德军III号坦克N晚期型

[For DRAGON 6474 6606]

### 推荐使用工具 RECOMMENDED TOOLS



用尖端在凹槽处冲压  
use penpoint to press on the dent

蚀刻片零件内侧面向上  
Put the part upside down

用笔尖在凹槽处  
Use penpoint to press on the dent

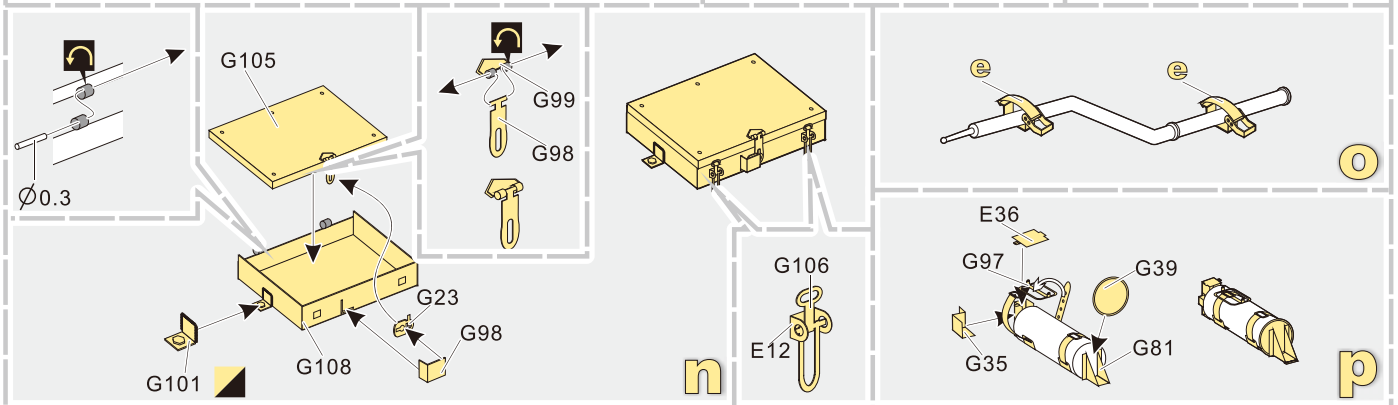
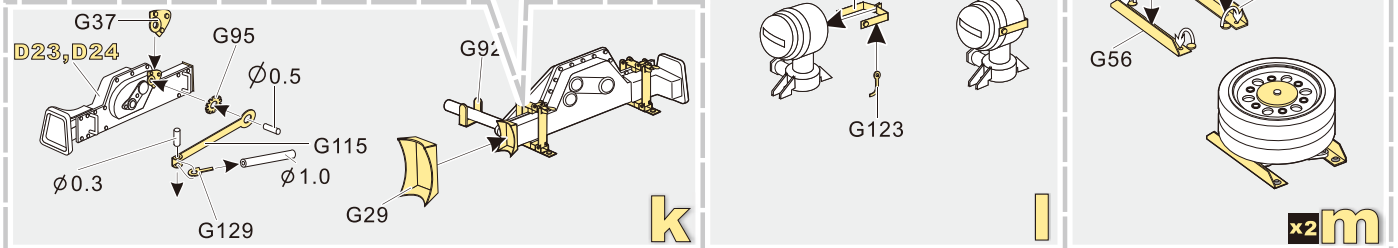
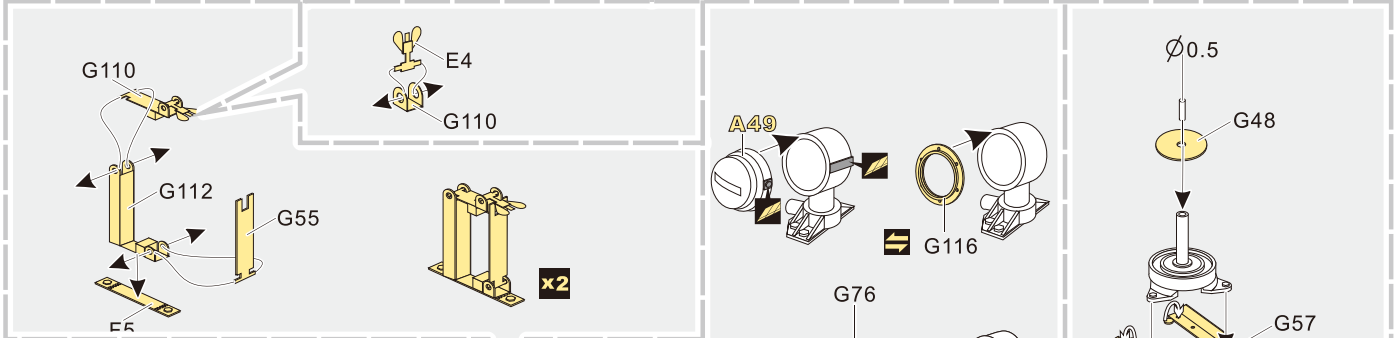
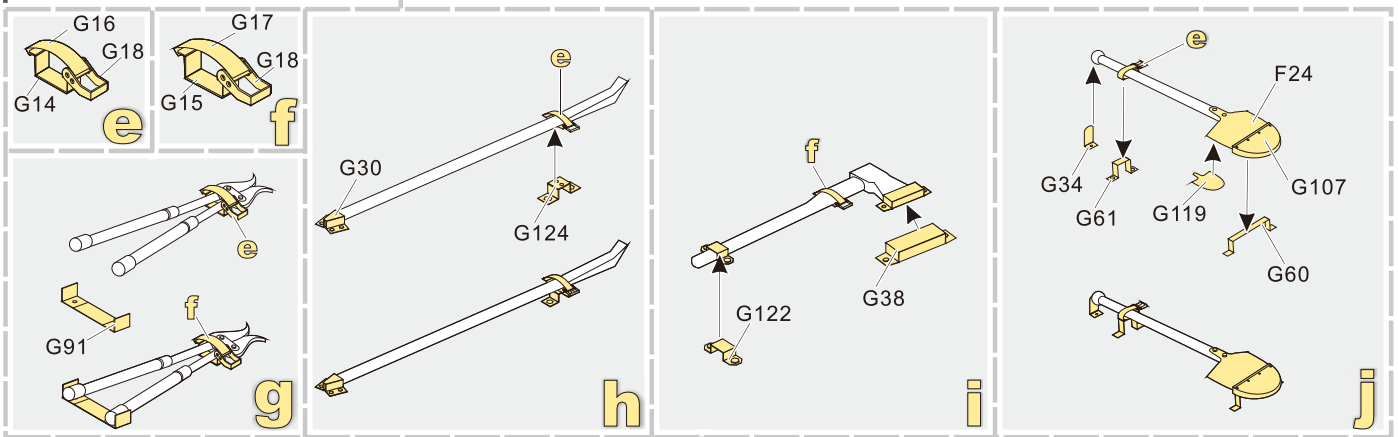
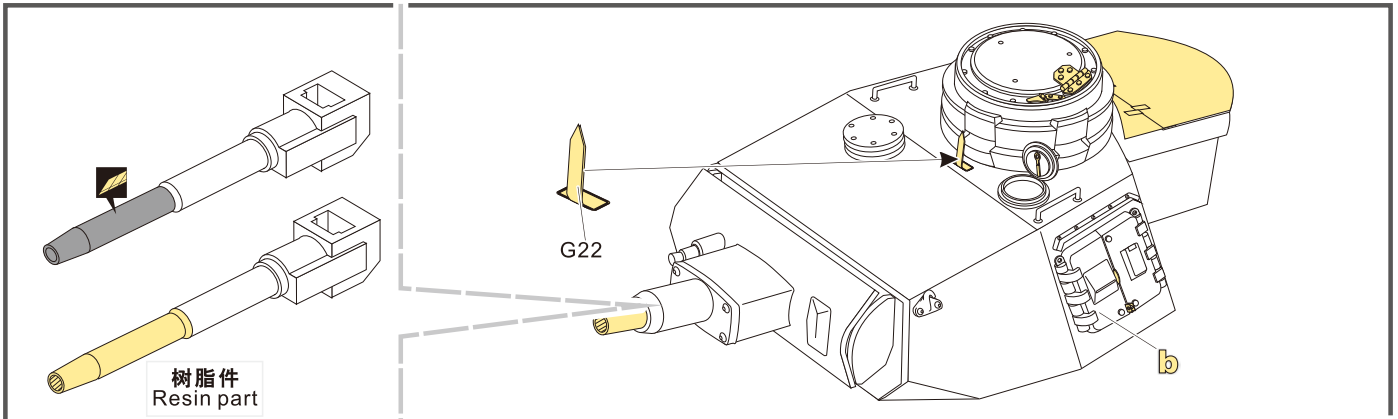
- 安装  
install
- 折叠  
bend
- A1**  
改造件零件编号  
PE/resin part number
- B12**  
原零件编号  
kit part number
- G22**  
被替换的原零件编号  
replaced kit part number
- 另一侧相同制作  
repeat on opposite side
- 切除  
remove
- 打磨  
grind off
- 弧度卷曲  
radial bending
- x2**  
制作若干组  
multiple assembly
- 选择安装  
alternative
- 用铜管制作  
make from brass tube
- 用胶棒制作  
make from plastic rod

**a**

**b**

**c**

1/35 MILITARY MINIATURE VEHICLE UPGRADE SERIES PE35337



1/35 MILITARY MINIATURE VEHICLE UPGRADE SERIES PE35337

**q** Diagram showing the installation of parts G6, G7, G3, G4, and G5 onto a long metal bar.

**r** Diagram showing the installation of parts G88, G89, G90, G93, and G82 onto a rectangular metal frame.

**s** Diagram showing the installation of parts F1, G8, G9, G10, and G117 onto a small metal component.

**t** Diagram showing the installation of parts E7, G106, G94, and G100 onto a rectangular metal frame.

**u** Diagram showing the installation of parts G62, G63, G64, and G118 onto a metal component.

**v** Diagram showing the installation of parts E4, F10, P1, G21, and G43 onto a metal component. Labels include "树脂件 Resin part" and "金属件 Metal part".

**g** Diagram showing the installation of part G69 onto a chassis component.

**j** Diagram showing the installation of part j onto a chassis component.

**q** Diagram showing the installation of part q onto a chassis component.

**u** Diagram showing the installation of part u onto a chassis component.

**i** Diagram showing the installation of part i onto a chassis component.

**o** Diagram showing the installation of part o onto a chassis component.

**v** Diagram showing the installation of part v onto a chassis component.

**t** Diagram showing the installation of part t onto a chassis component.

**g** Diagram showing the installation of part g onto a chassis component.

**VOYAGERMODEL®** 无微不至 极致享受  
The Best Upgrade Solution

Recommended item	
Pe35338	WWII German Pz.KPfw.III L-N version/StuG.III F8 version Fenders
VBS0309	WWII German 75mm KwK 37/StuK 37 Ammunition
VBS0310	WWII German 75mm KwK 37/StuK 37 Ammunition cartridge
PEA108	WWII German Pz.KPfw.III Late Production Damaged Road Wheels
PEA212	WWII German Pz.KPfw.III Ausf.M/N Additional Armour Pattern 2

1/35 MILITARY MINIATURE VEHICLE UPGRADE SERIES PE35337

G77  $\varnothing 0.3$  G59

G58  $\varnothing 0.3$

金属件 Metal part G103

金属件 Metal part

根据喜好使用  
Select the parts as preferred

W X

G25  
G24 E4  
Copper cable Kit part

STEP1

STEP2

根据喜好使用乘员装备品  
Use the elements for crew as you like

Z aa

G26

$\varnothing 0.3$  G33 G40 G41

x4 y

x6 aa

G111

G73  $\varnothing 0.5$

G19

G53 G52 G104

根据喜好使用乘员装备品  
Use the elements for crew as you like

ab Y3

F11 拧90° Twist 90°

F18 F2 F18

a d

m r n h

P w k

G46 G49 G50

根据喜好使用乘员装备品  
Use the elements for crew as you like

G46 G49