



**ACADEMY**  
**MINICRAFT**  
 MODEL KITS

# McDONNELL DOUGLAS F-15E STRIKE-EAGLE

**1/48 scale**

Although the F-15 Eagle was designed specifically for the dog fighting role, its great versatility has led to the development of a dedicated ground attack aircraft which retaining the exceptional performance characteristics of the fighter version. The F-15E is an expansion of the two-seat F-15B trainer model of the Eagle. Among the most noticeable features of the F-15E are a pair of bulbous external fuel tanks which are blended between the wings and fuselage sides. These huge tanks carry enough fuel to nearly double the normal amount carried by the basic F-15. In addition these conformal tanks contain sensors and tactical systems, and are called FAST packs. This stands for Fuel And Sensor, Tactical.

The first Strike Eagle was modified from the prototype F-15B and flew against the General Dynamics F-16XL in a competition for an Enhanced Tactical Fighter. Although its primary objectives would be ground targets, the Strike Eagle would still be capable of engaging in a dogfight if necessary.

The Eagle's twin Pratt & Whitney F100 afterburning turbofans produce 10,000 more pounds of thrust than the weight of the plane. This allows the F-15 to maneuver tightly without sacrificing precious airspeed. The Eagle carries one 20mm rotary cannon as standard equipment, but eight hardpoints can carry an enormous variety of additional weaponry to enhance the combat abilities of the plane.



Cement Parts  
 Coler  
 Kleben  
 Pegar  
 Incollare  
 Colar  
 Kleven



DO NOT cement  
 Ne pas coler  
 Nicht kleben  
 No pegar  
 Non incollare  
 Nao colar  
 Niet kleven



Cut away  
 Couper  
 Scheiden  
 Cortar  
 Tagliare  
 Cortar  
 Snijden



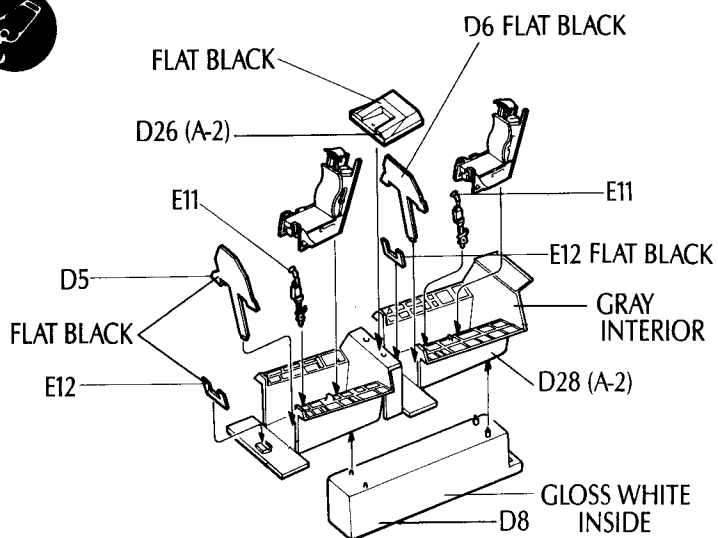
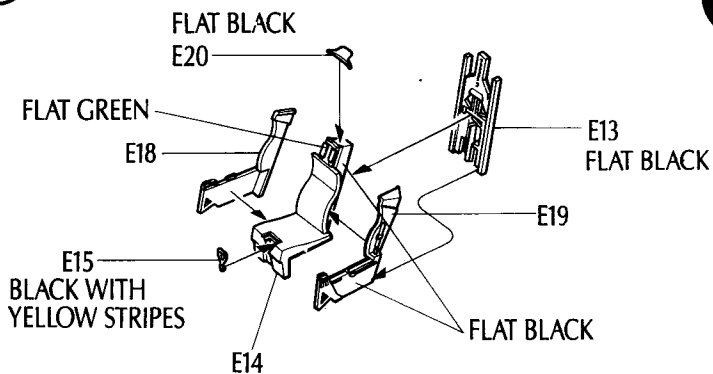
Optional parts  
 Choix  
 Auswahlmöglichkeit  
 Eleccion  
 Scelta  
 Opcao  
 Keuze



**3**

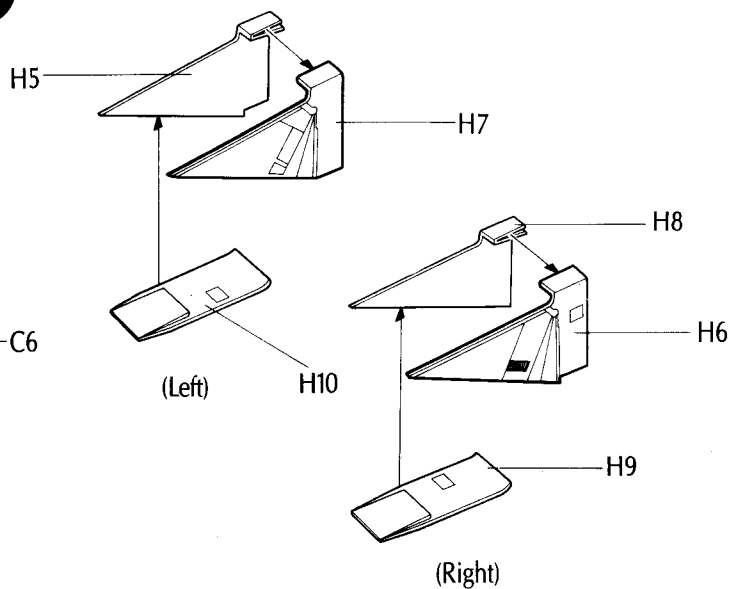
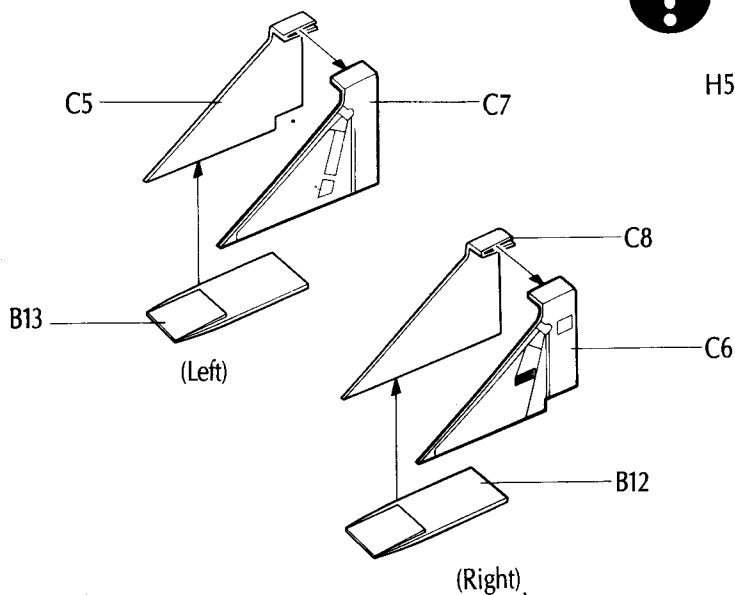
Repeat operation  
 Répéter l'opération  
 Vorgang wiederholen  
 Repetir la operacion  
 Ripetere  
 Repetir a operação  
 Herhalen

# 1 EJECTION SEATS AND COCKPIT

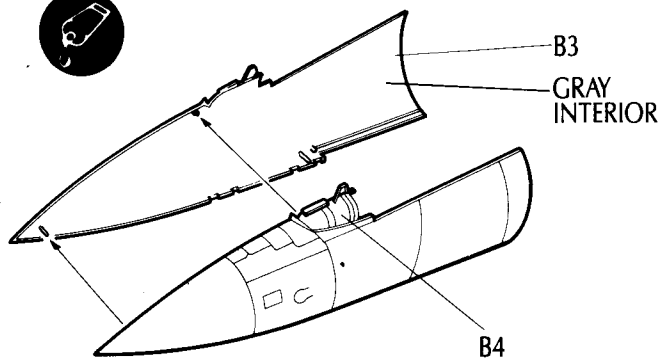


2

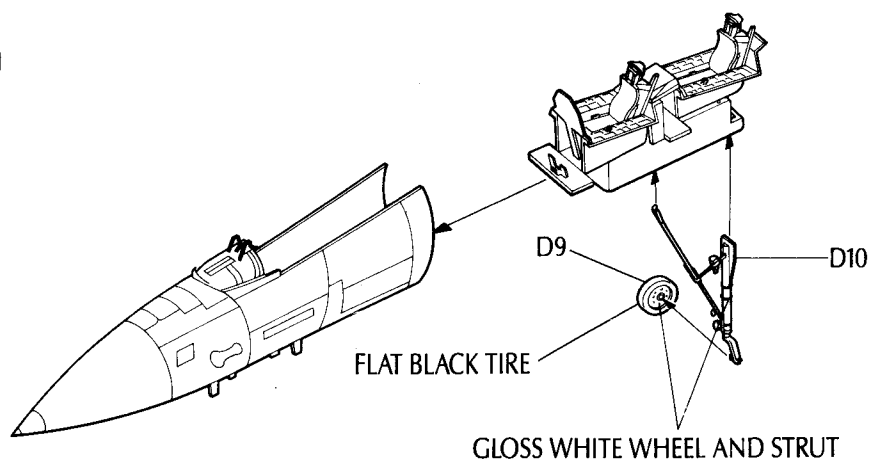
# 2 INTAKE ASSEMBLIES (A)



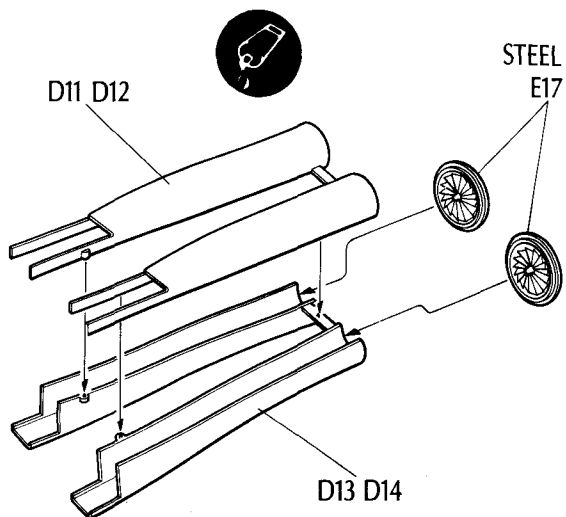
# 3 NOSE ASSEMBLY



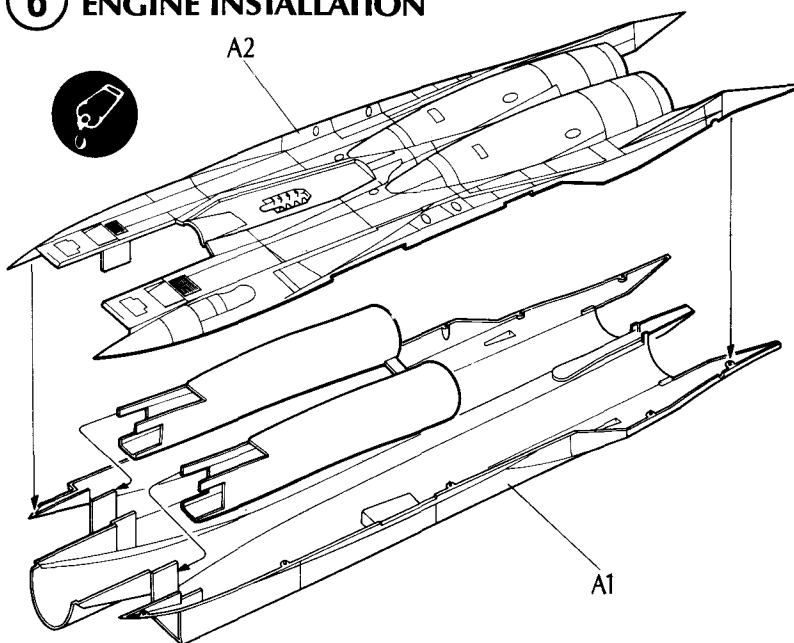
# 4 COCKPIT AND NOSE WHEEL INSTALLATION



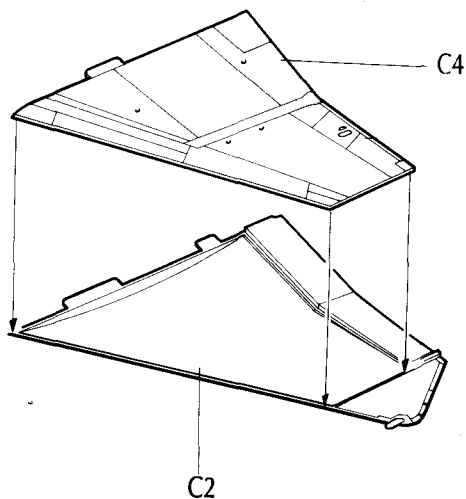
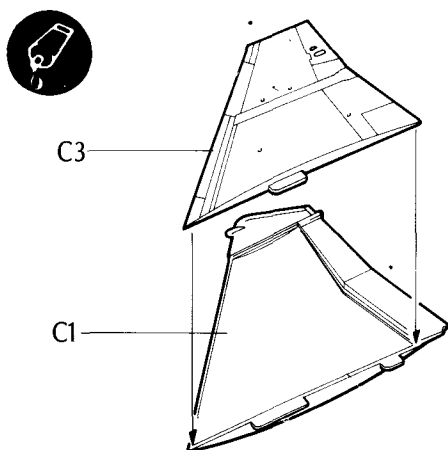
## 5 ENGINES



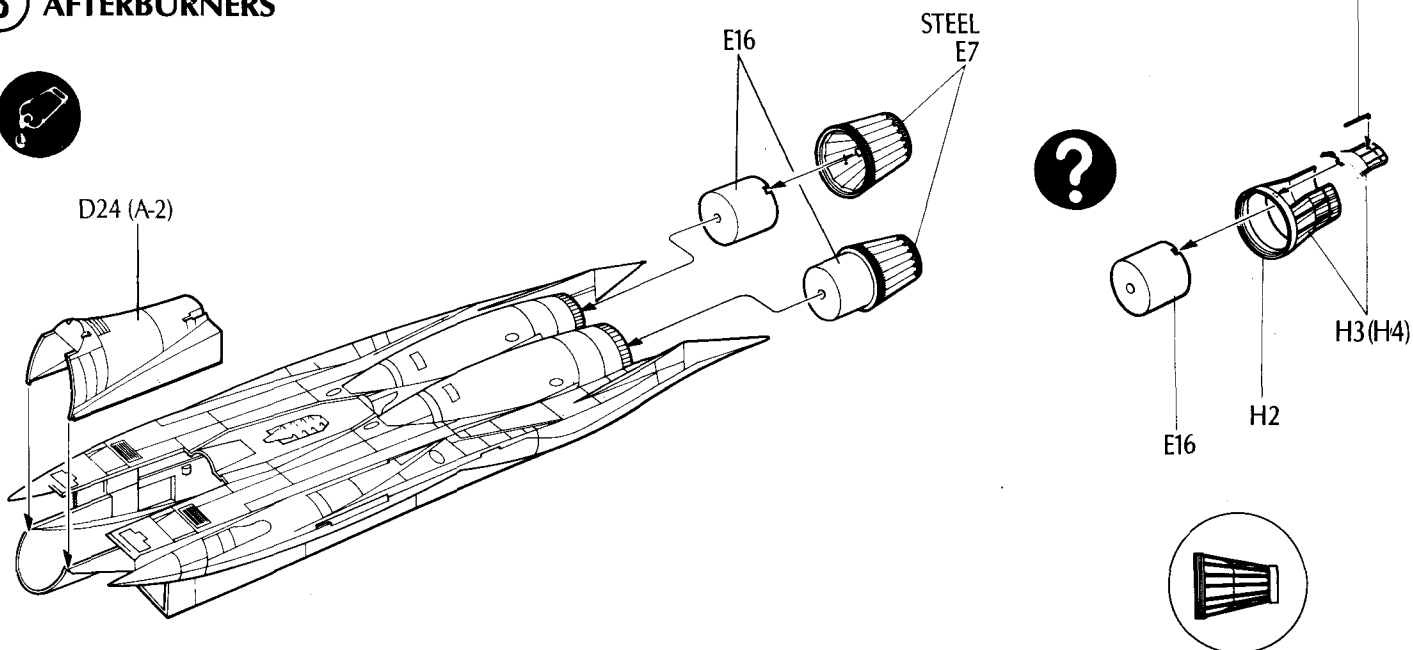
## 6 ENGINE INSTALLATION



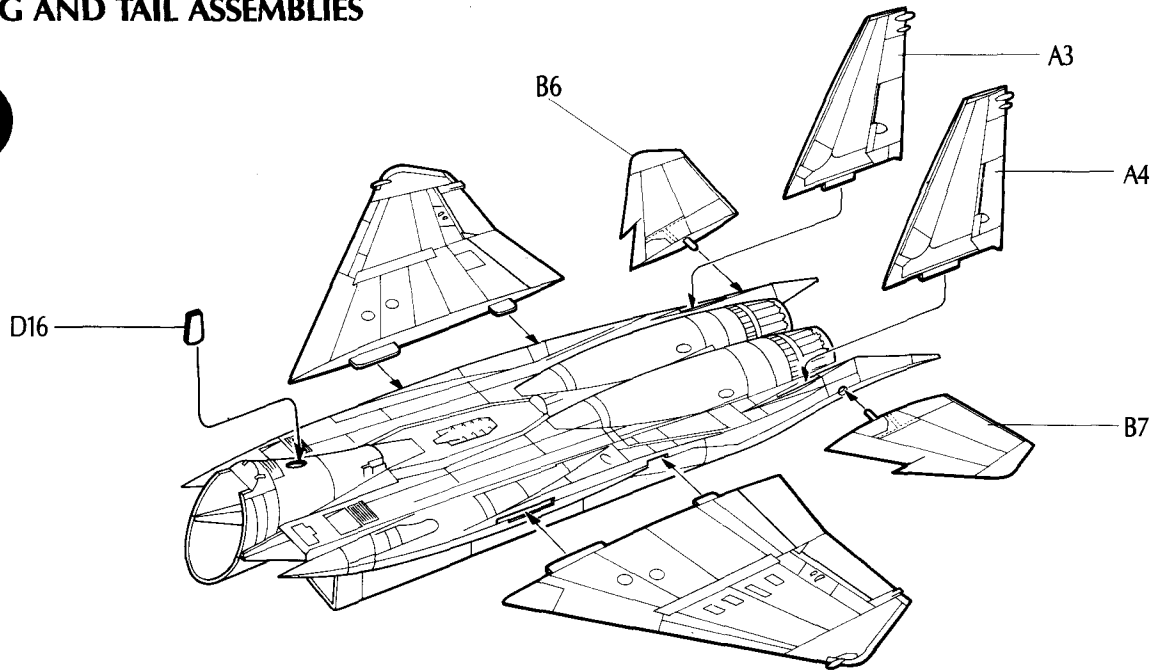
## 7 WING ASSEMBLY



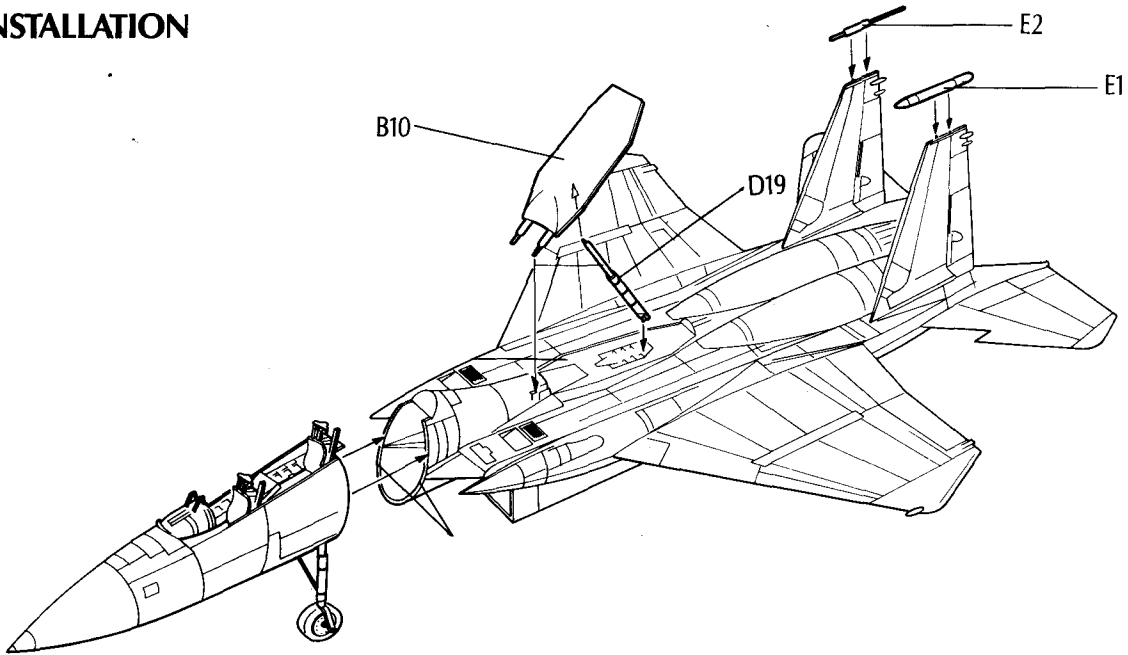
## 8 AFTERBURNERS



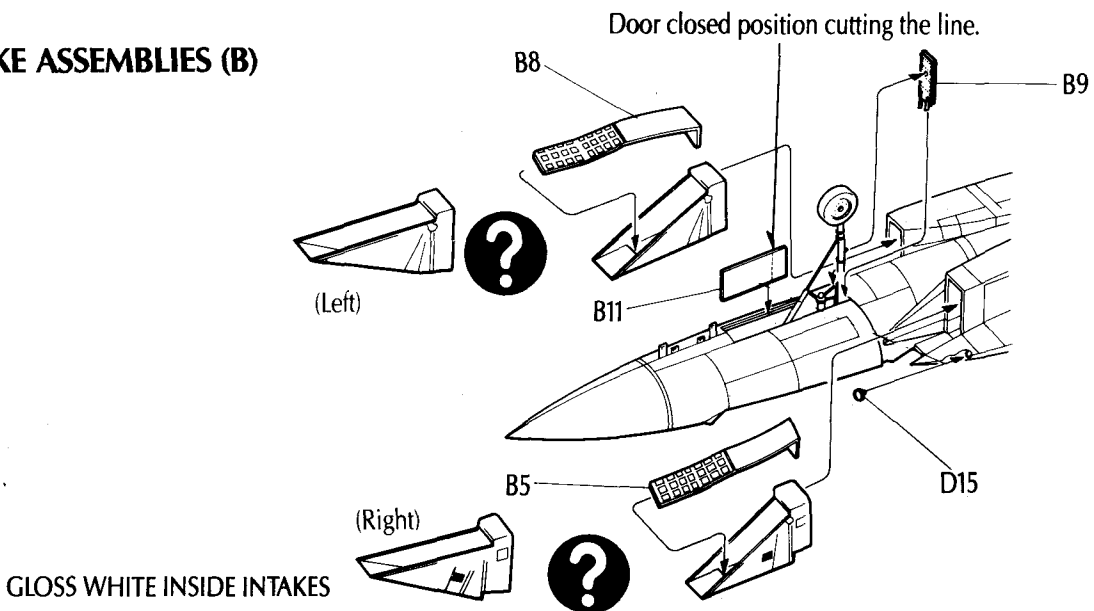
## 9 WING AND TAIL ASSEMBLIES



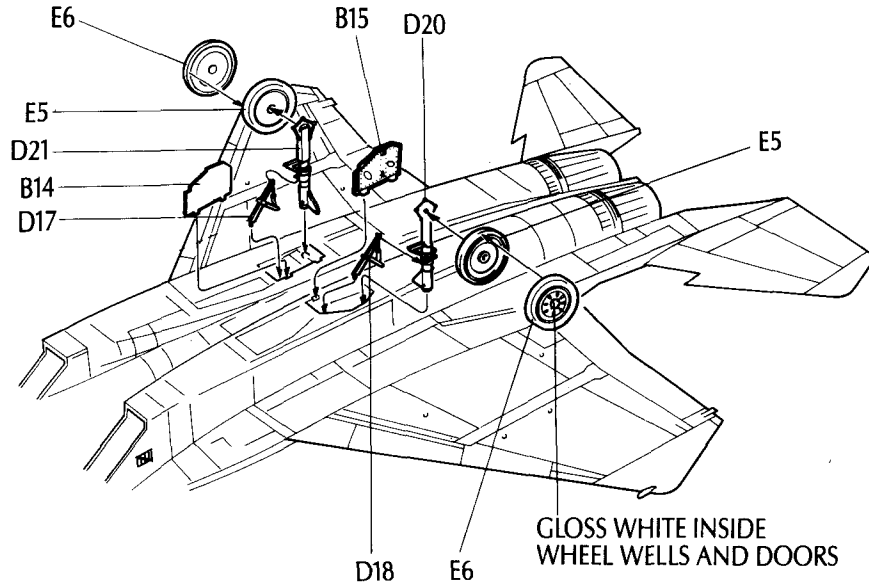
## 10 NOSE INSTALLATION



## 11 INTAKE ASSEMBLIES (B)



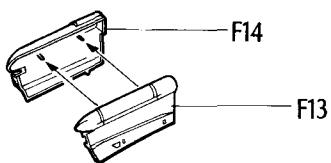
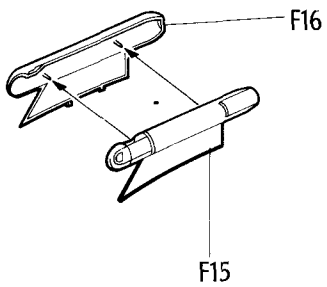
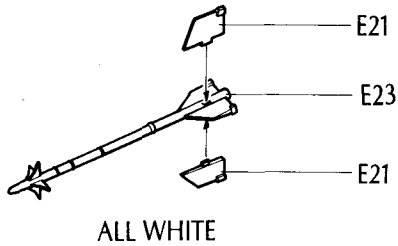
# 12 MAIN GEAR INSTALLATION



# 13 SIDEWINDER AND PODS



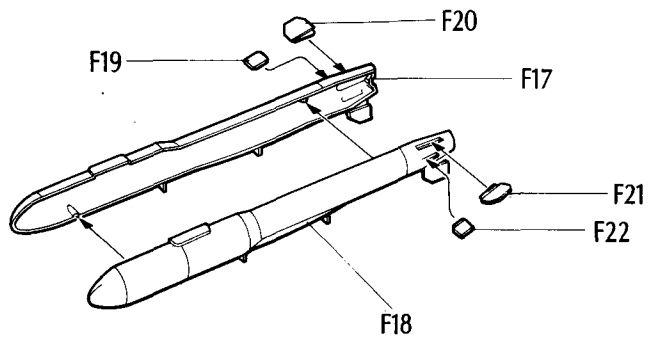
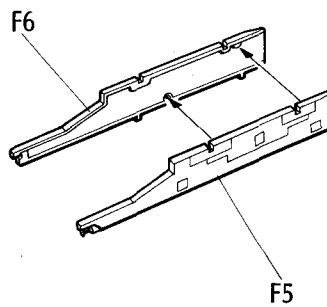
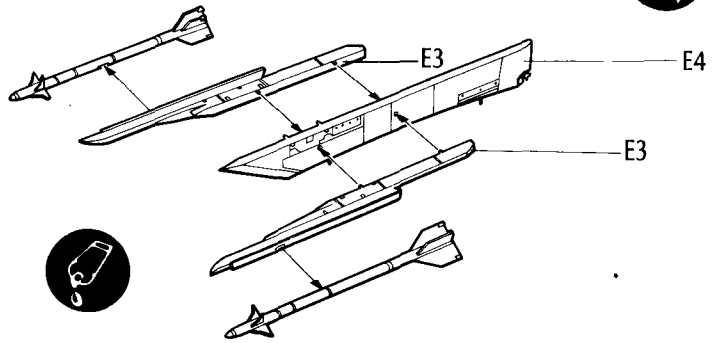
4



# 14 ASAT AND SIDEWINDER PYLONS

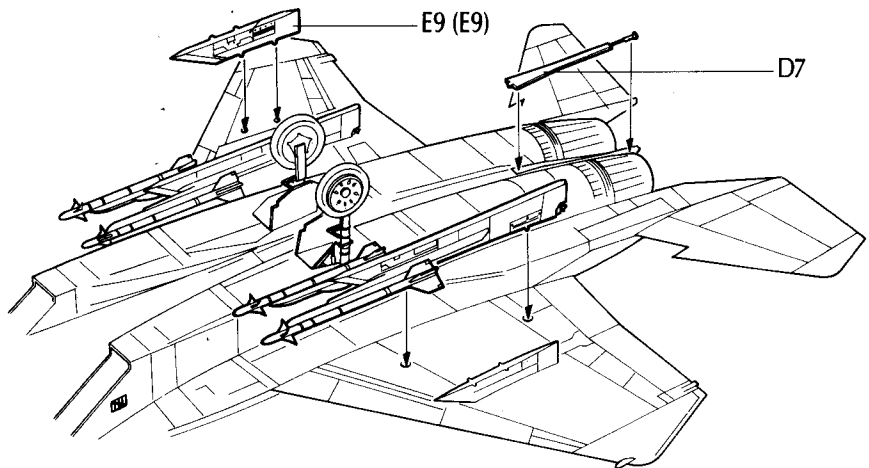


2

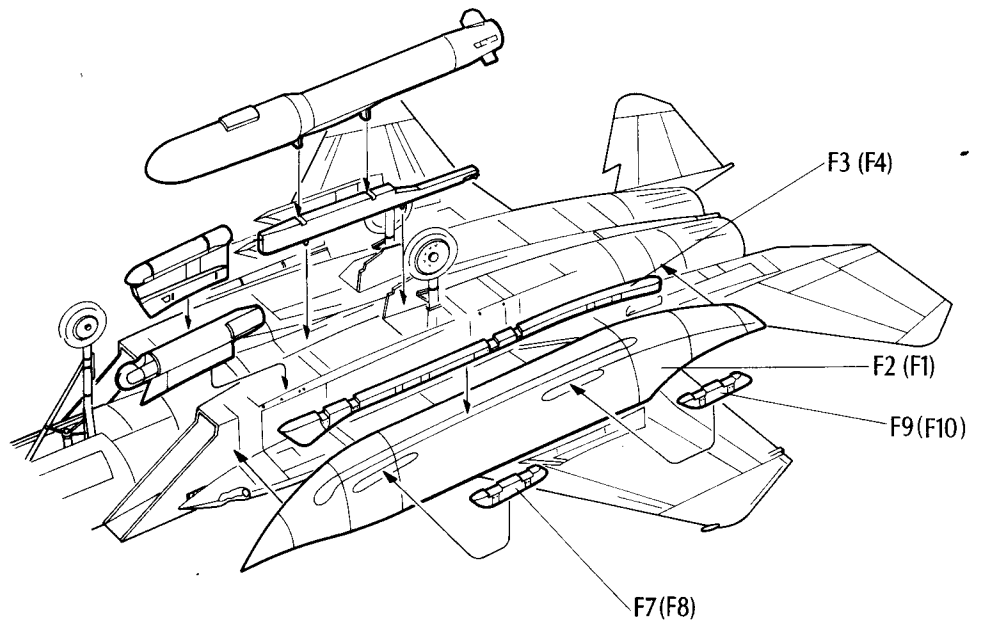


r XX

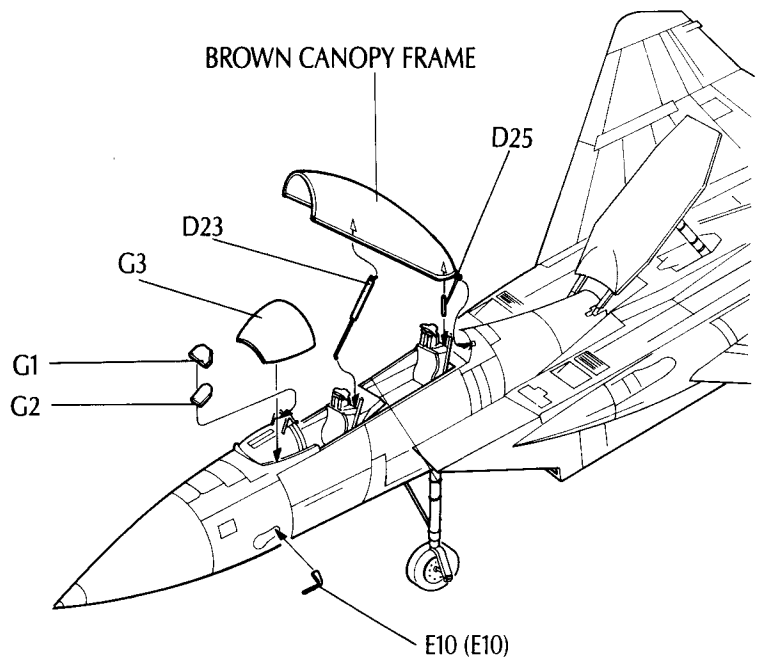
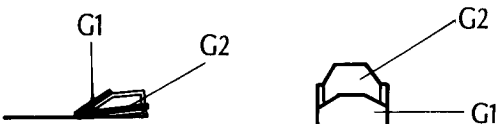
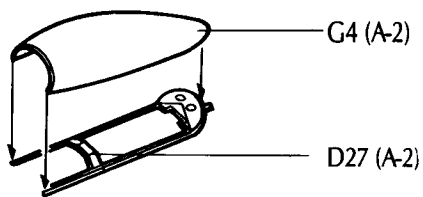
# 15 PYLON MOUNTING



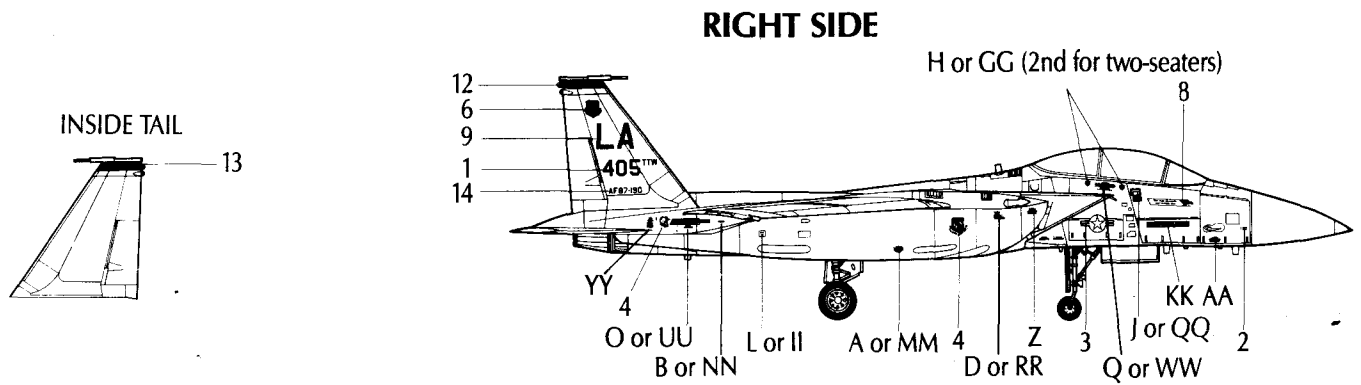
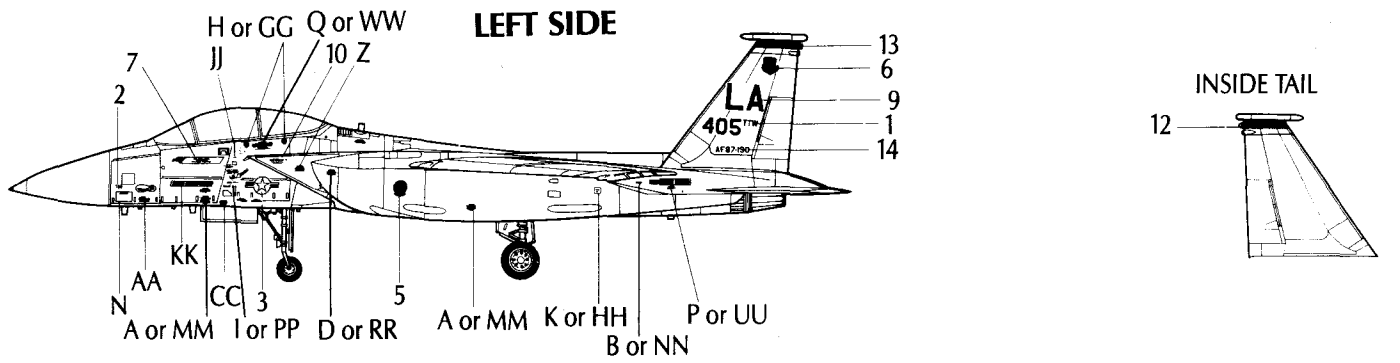
# 16 FINAL ASSEMBLY



# 17 CANOPY INSTALLATION

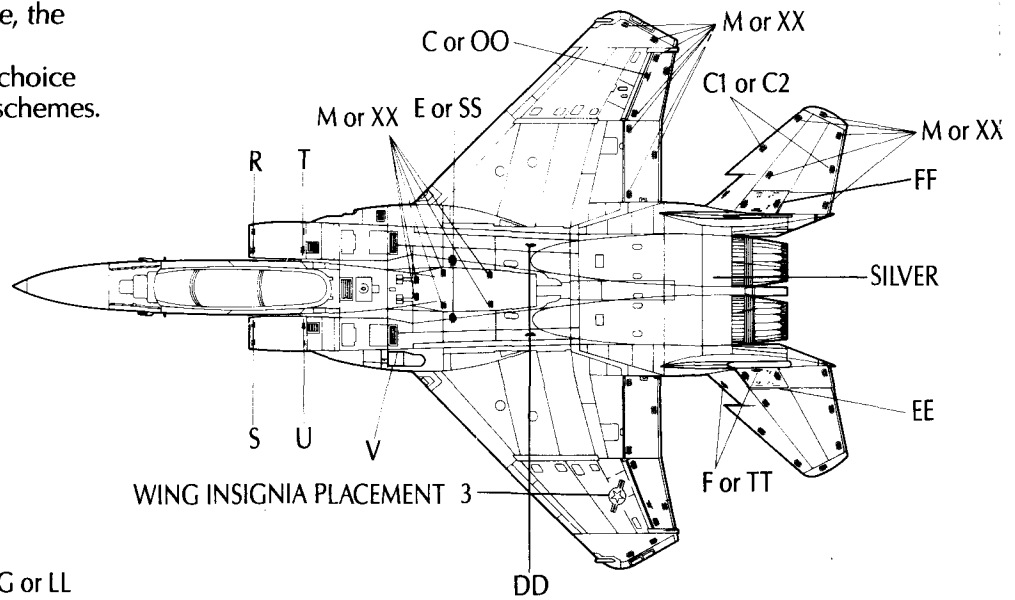


# DECAL LOCATIONS AND PAINTING INSTRUCTIONS

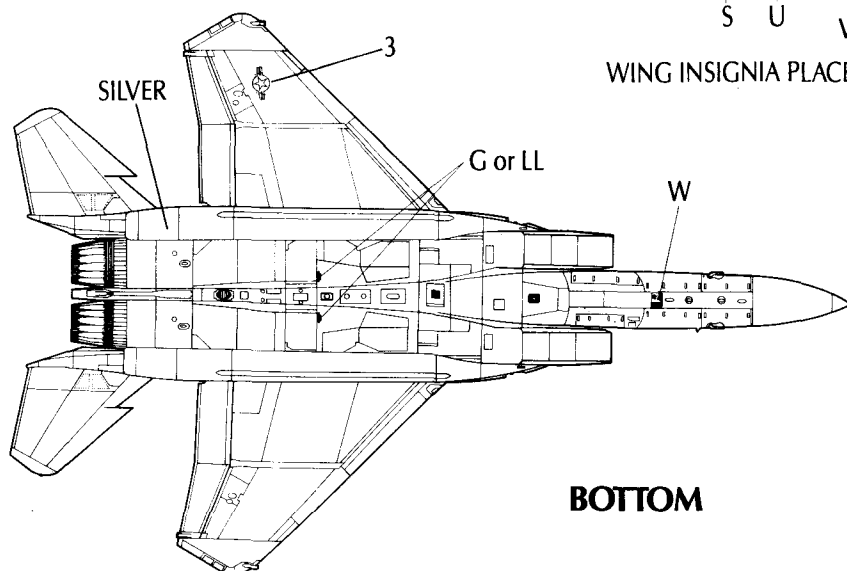


In case of multiple letters, (M or XX, for example) the first letter designates markings for the ground attack (dark gray) scheme, the second letters indicate the markings for the Ghost Gray scheme. Where no choice is given, the decal is common to both schemes.

## TOP



Paint F.6.36118 GRAY Overall

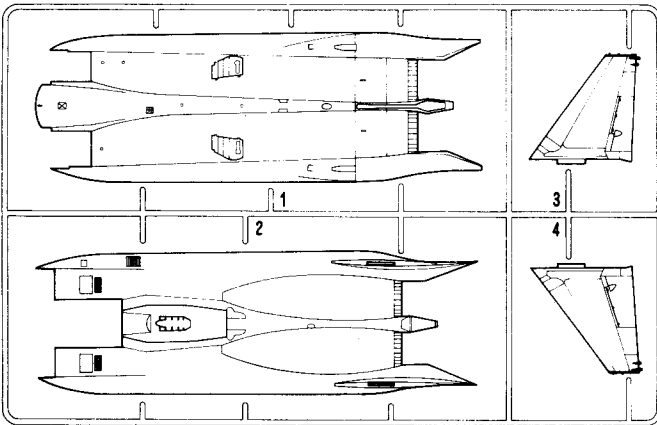


## BOTTOM

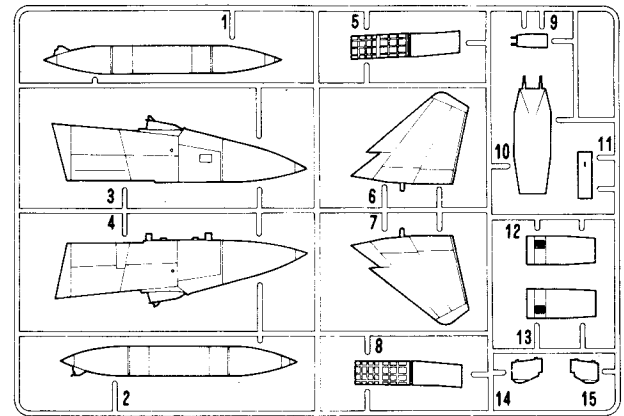


# PARTS LOCATING DIAGRAM

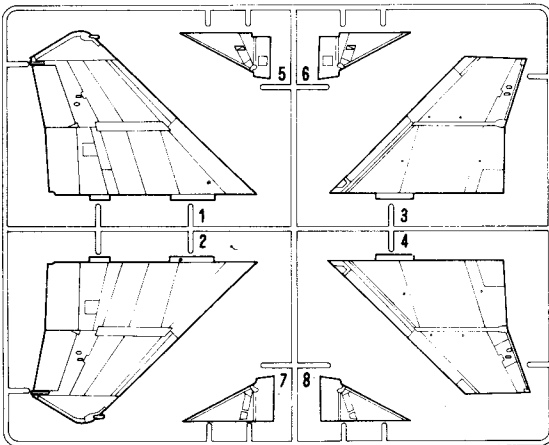
**A**



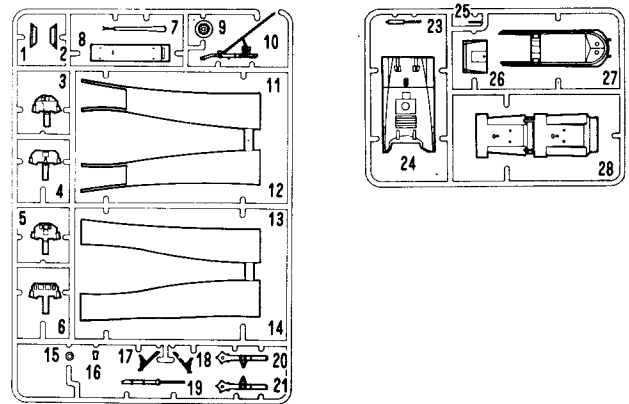
**B**



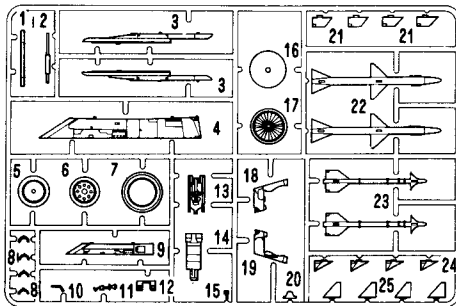
**C**



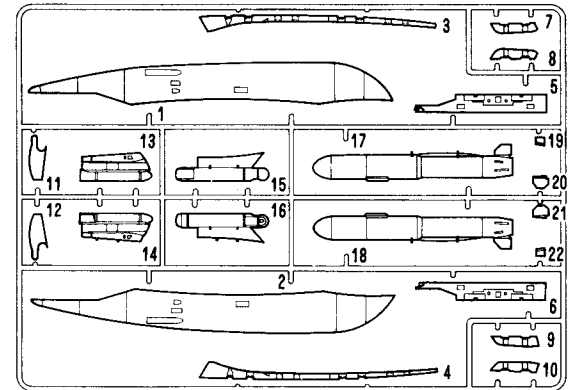
**D**



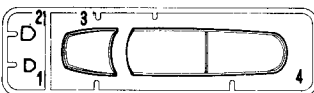
**E**



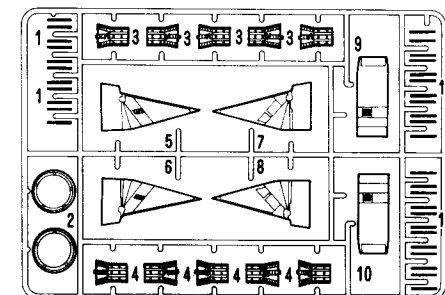
**F**



**G**



**H**



ENGLISH	FRENCH	GERMAN	SPANISH	ITALIAN
WHITE	BLANCO	WEISS	BLANC	BIANCO
YELLOW	JAUNE	GELB	AMARILLO	GIALLO
RED	ROUGE	RÖT	ROJO	ROSSO
BLUE	BLEU	BLAU	AZUL	BLU
GRAY	GRIS	GRAU	GRIS	GRIGIO
GUNMETAL	METALLIC	METALLIC	METALICO	METALLICO
GREEN	VERT	GRÜN	VERDE	VERDE
SILVER	ARGENT	SILBERN	PLATA	ARGENTO
BLACK	NOIR	SCHWARZ	NEGRO	NERO
ORANGE	ORANGE	ORANGE	NARANJADO	ARANCIO
AMBER	AMBRE	BERNSTEINFARBEN	AMBAR	AMBRA
ALUMINUM	ALUMINIUM	ALUMINIUMFARBEN	ALUMINIO	ALLUMINIO
GLOSS	LUSTRE	GLANZENDES	BRILLANTE	BRILLANTE
FLAT	TERNE	GLANZLOSES	APAGADO	OPACO

©1990 Minicraft Models Inc.