

ACADEMY

HOBBY MODEL KITS



1/48th SCALE

SPITFIRE MK. XIVc

THE SUPERMARINE SPITFIRE WAS BUILT IN GREATER NUMBERS THAN ANY OTHER BRITISH TYPE AND WAS THE ONLY BRITISH TYPE IN CONTINUOUS PRODUCTION THROUGHOUT W.W.I. THE PROTOTYPE FIRST FLEW ON MARCH 5, 1936. DELIVERY OF THE SPITFIRE MK.I BEGAN IN MID-1938 AND BY THE OUTBREAK OF THE WAR NINE SQUADRONS ENGAGED IN THE BATTLE OF BRITAIN TOGETHER WITH THE HURRICANE. THE MK.XIV, OVER 1,000 AIRCRAFT OF THIS TYPE WERE MANUFACTURED AND DEPLOYED BEFORE THE END OF WORLD WAR II. POWERED BY THE TWO-STAGE ROLLS ROYCE GRIFFON TYPE 65 ENGINE. ALSO DIFFERED FROM THE EARLIER SPITFIRES BY ITS LARGER RUDDER AND ELEVATORS, FIVE BLADED ROTOL PROPELLERS AND FOUR 20MM CANNON MOUNTED IN ITS TYPE "C" OR "E" WING. BESIDES ITS SUCCESSFUL BATTLE HISTORY, IN PARTICULAR SHOOTING DOWN OVER 300 V-1 FLYING BOMBS. MANY AVIATION ENTHUSIASTS REGARD THE SPITFIRE MK.XIV AS ONE OF THE MOST BEAUTIFUL FIGHTER DURING THE WORLD WAR II.

<DATA>

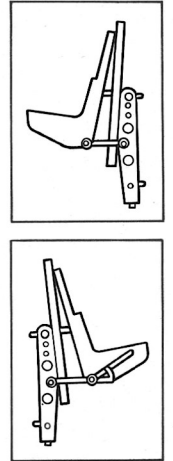
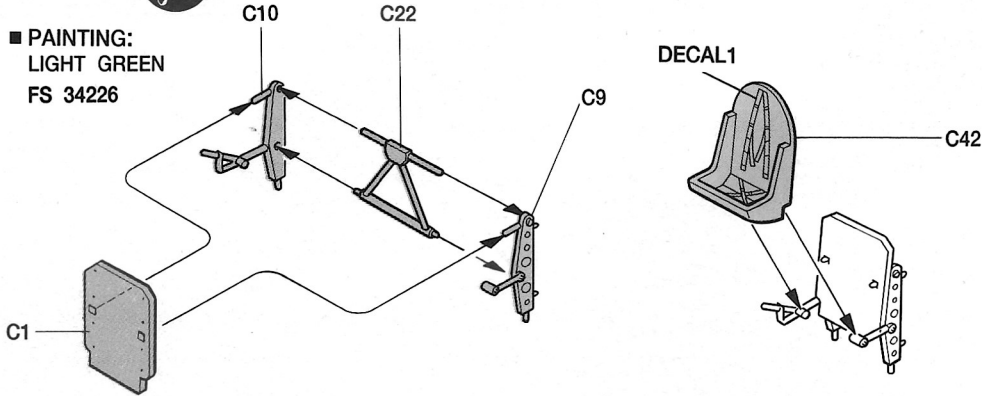
CREW: 1	LENGTH: 9.96m	WINGSPAN: 11.234m
HEIGHT: 3.355m	WEIGHT: 3,859kg	ENGINE: ROLLS ROYCE GRIFFON TYPE 65(2,050HP)
SPEED: 721km/h	BOMBS: 450kg	ARMAMENT(TYPE "C" WING): 7.7mm × 420mm × 4

2157

1 COCKPIT INTERIORS ASSEMBLY I

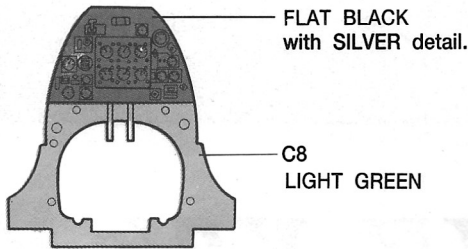
PILOTS SEAT

PAINTING:
LIGHT GREEN
FS 34226

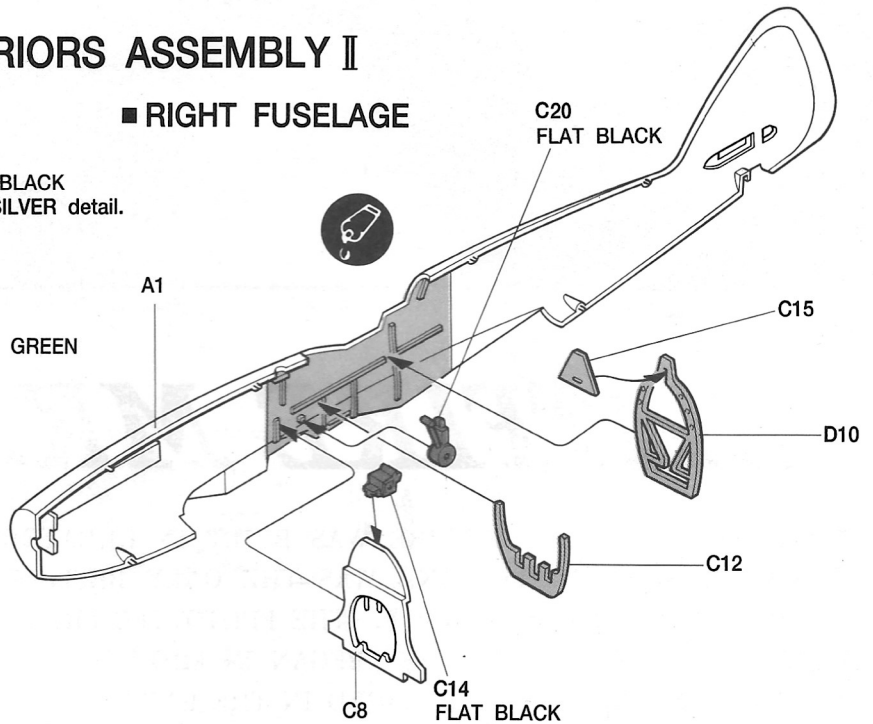


2 COCKPIT INTERIORS ASSEMBLY II

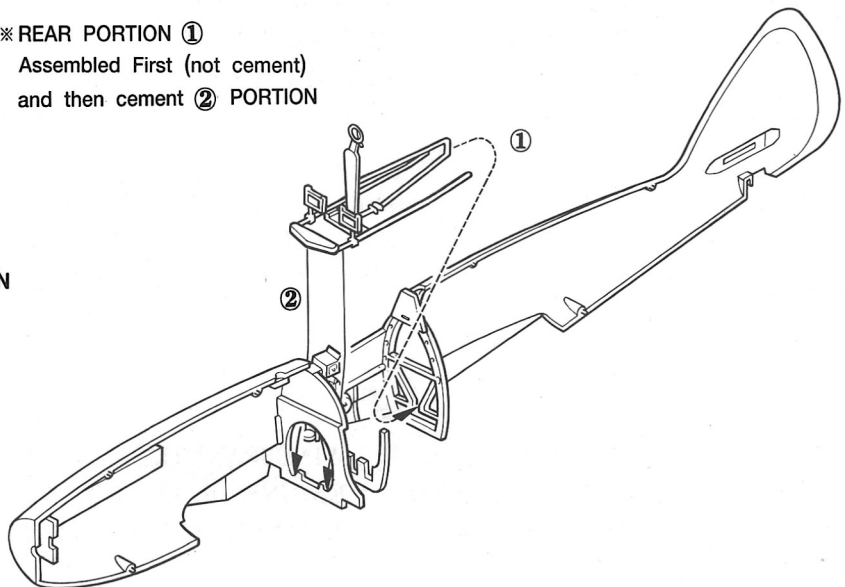
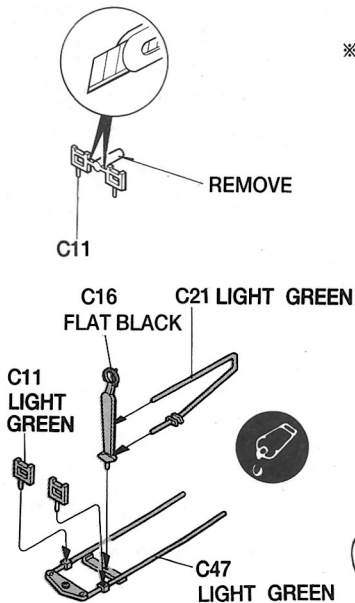
RIGHT FUSELAGE



PAINTING
LIGHT GREEN
FS 34226



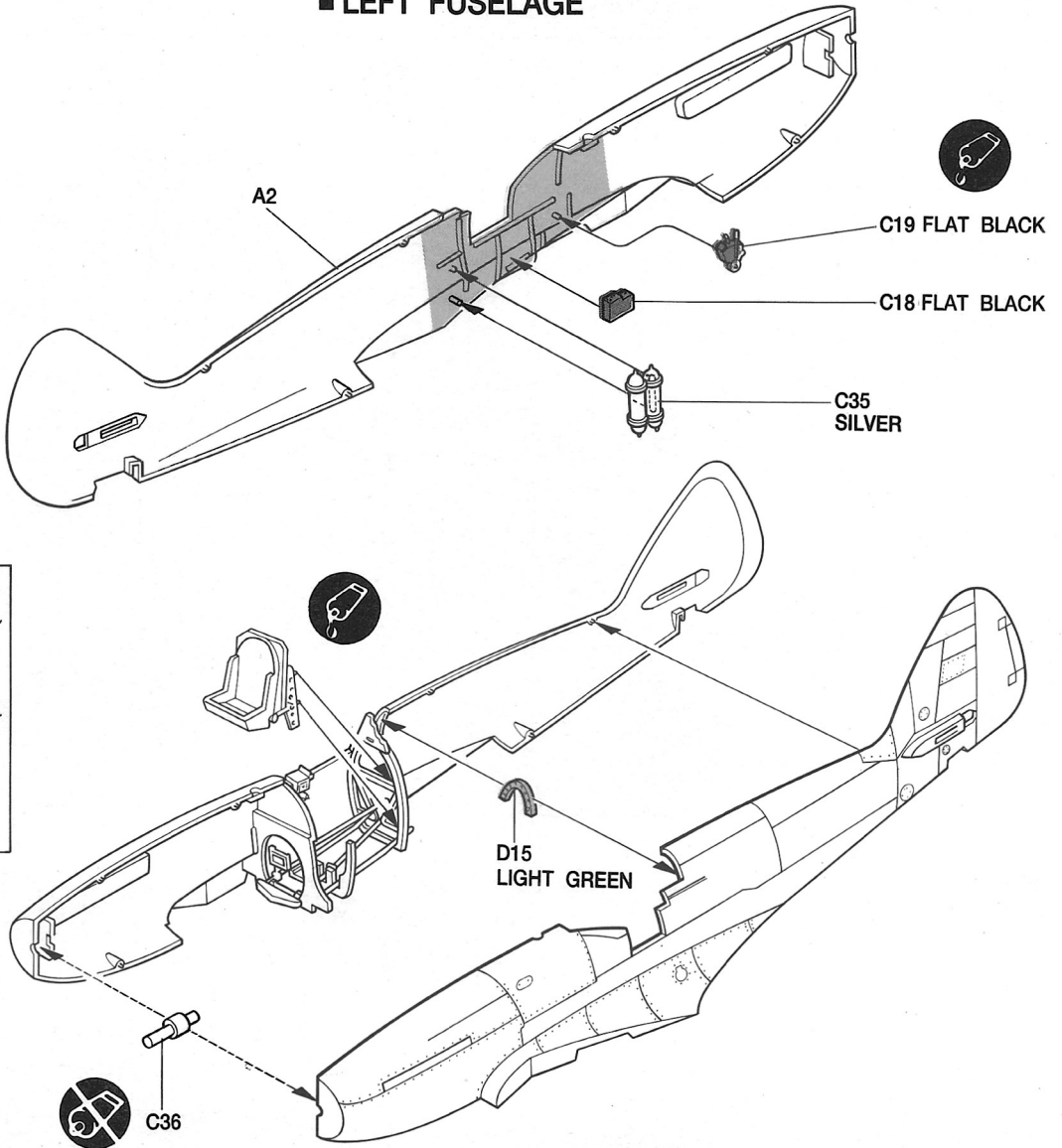
※ REAR PORTION ①
Assembled First (not cement)
and then cement ② PORTION



■ LEFT FUSELAGE

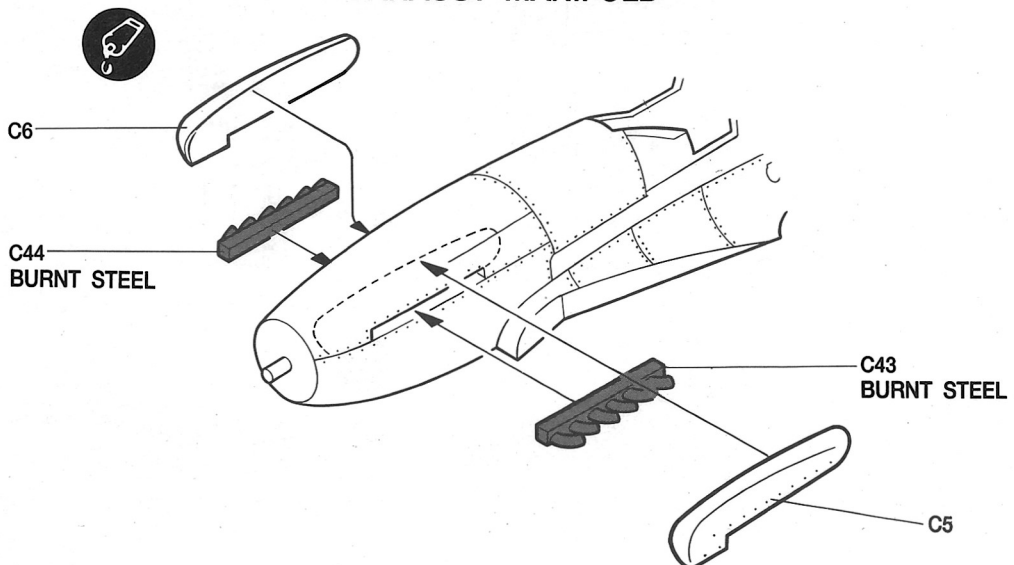
■ PAINTING


LIGHT GREEN
FS 34226

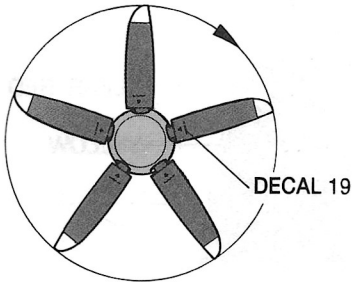


3 NOSE SECTION ASSEMBLY

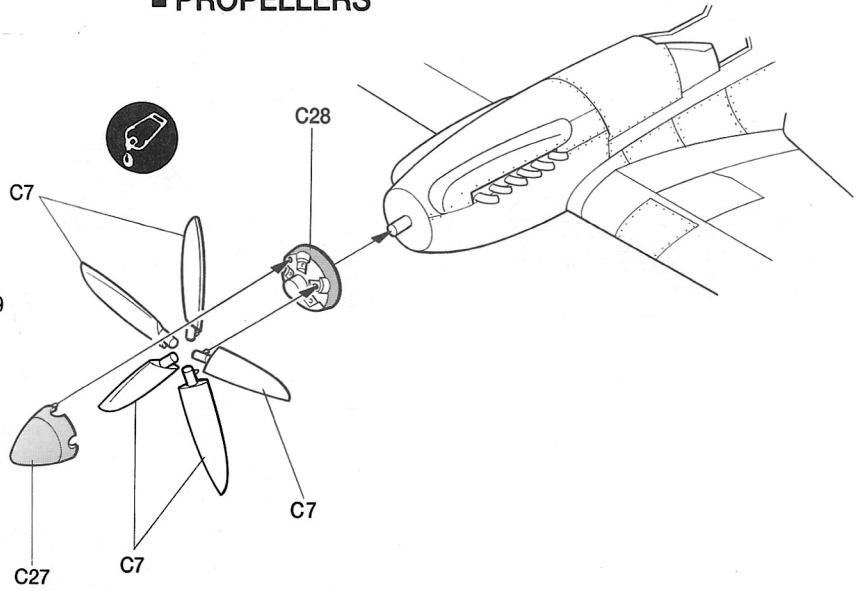
■ EXHAUST MANIFOLD



■ PROPELLERS



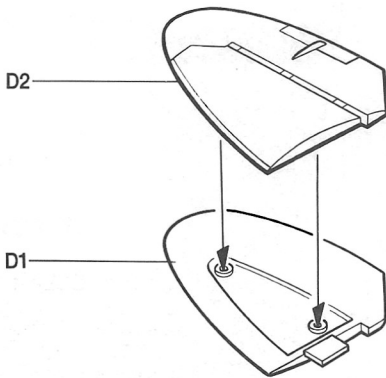
FLAT BLACK BLADES
WITH YELLOW TIPS.
SPINNER: SKY
BS 381C/210
FS 34504



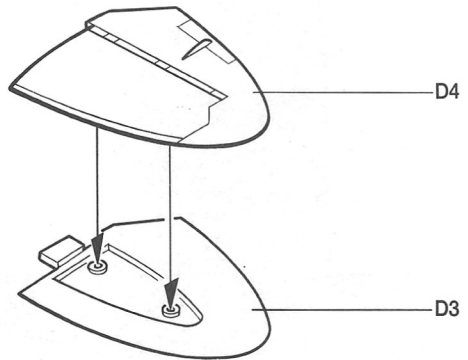
4 VARIOUS ASSEMBLY

■ TAIL PLANES

<RIGHT>

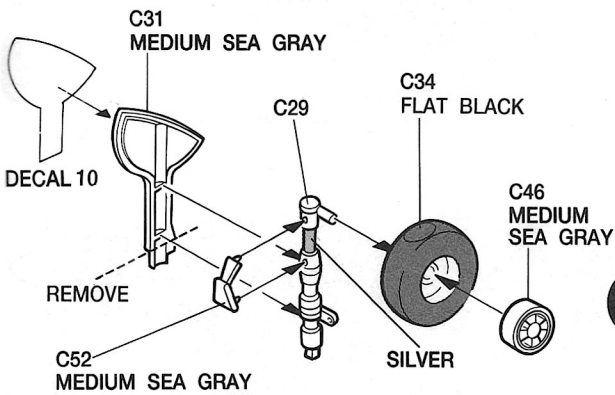


<LEFT>

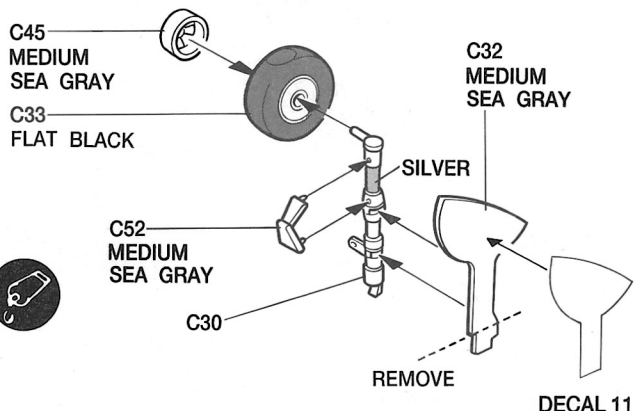


■ STRUTS WITH THE BULGED TIRES & HUBS

<RIGHT>



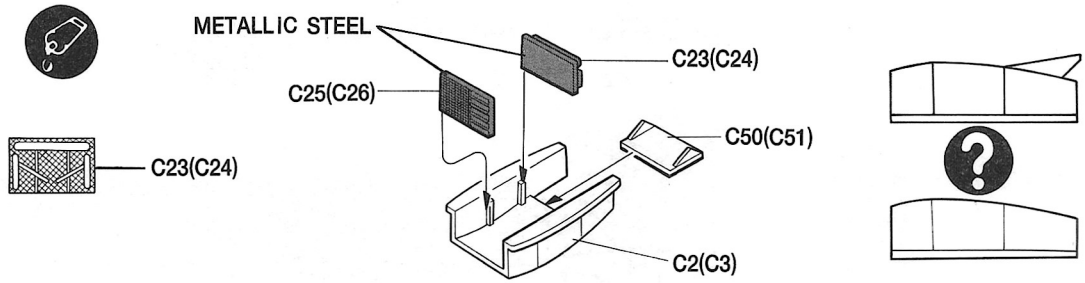
<LEFT>



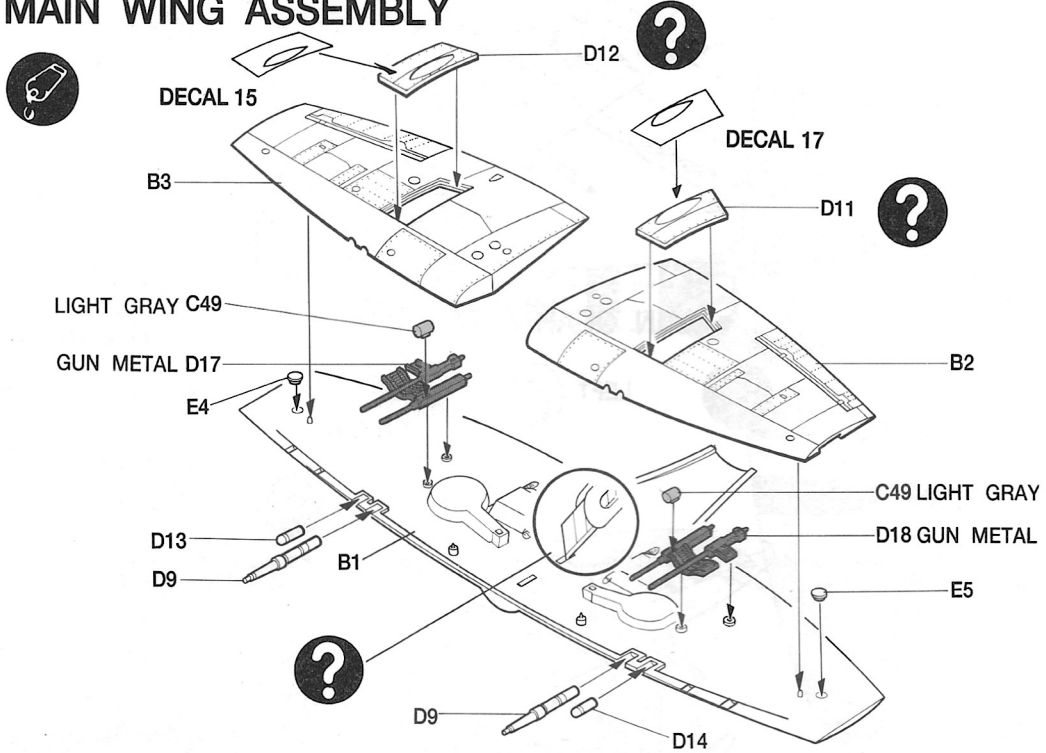
※ MEDIUM SEA GRAY: BS 381C/637
FS 36270



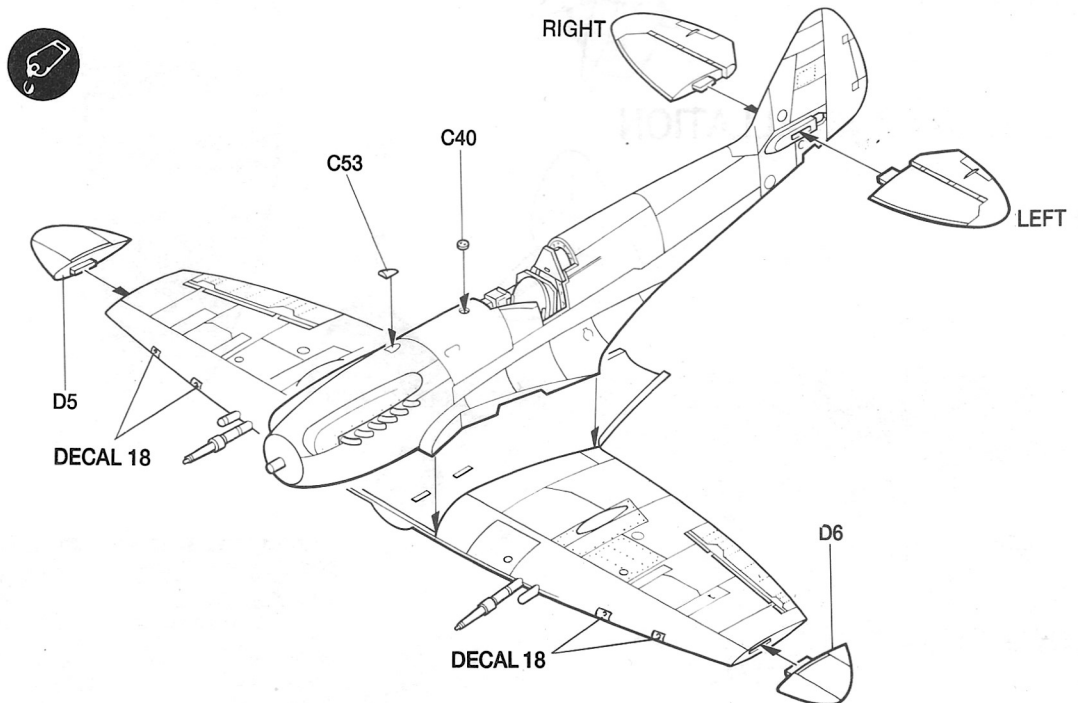
■ RADIATOR FARING



5 MAIN WING ASSEMBLY

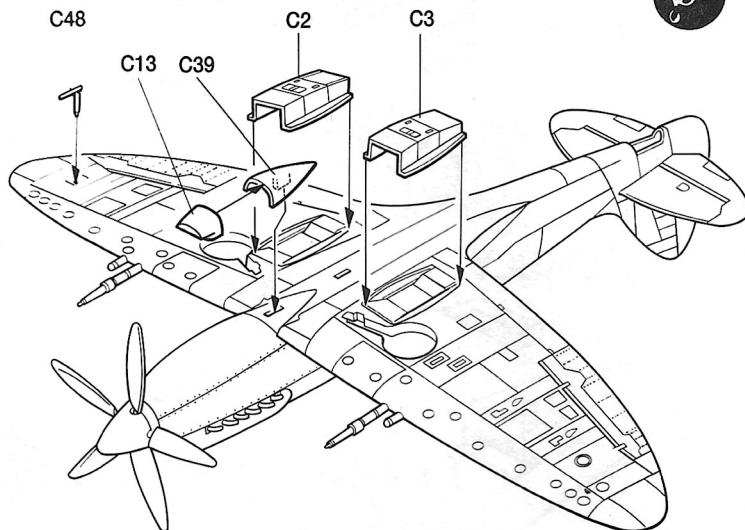


6 MAIN & TAIL PLANES INSTALLATION



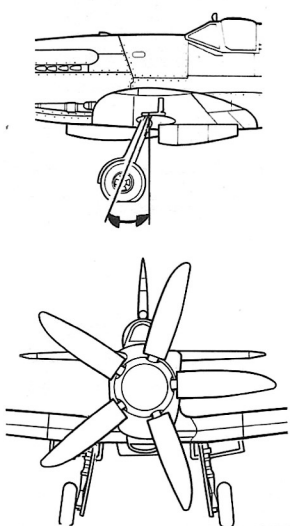
7 MAIN WING UNDERSIDE ASSEMBLY

■ RADIATOR & AIR INTAKE



■ MAIN GEAR & TAIL WHEEL

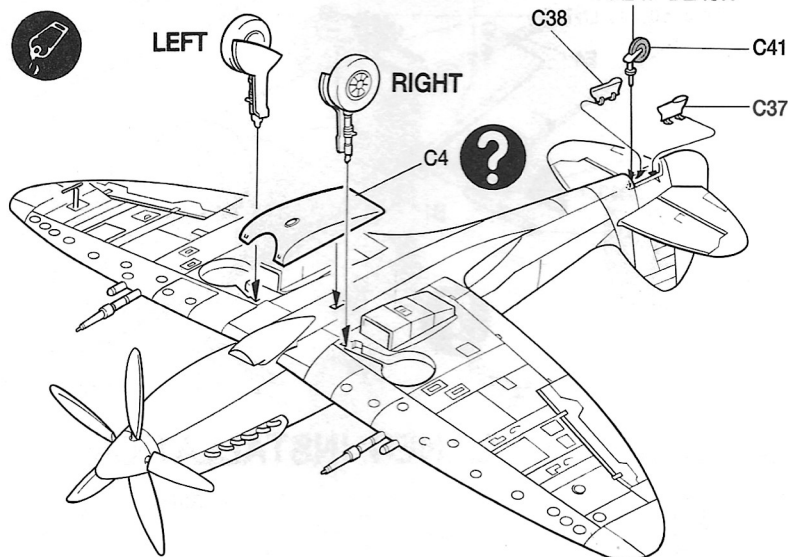
※ ANGLE OF THE GEAR



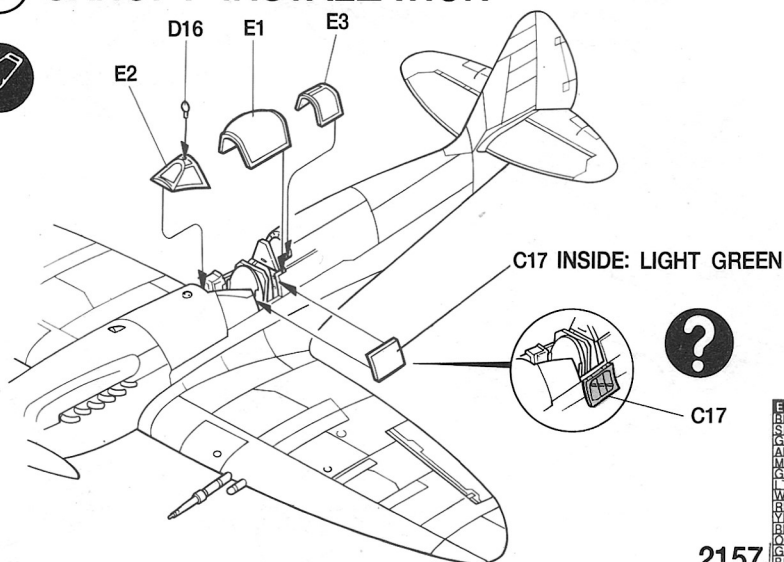
LEFT

RIGHT

FLAT BLACK



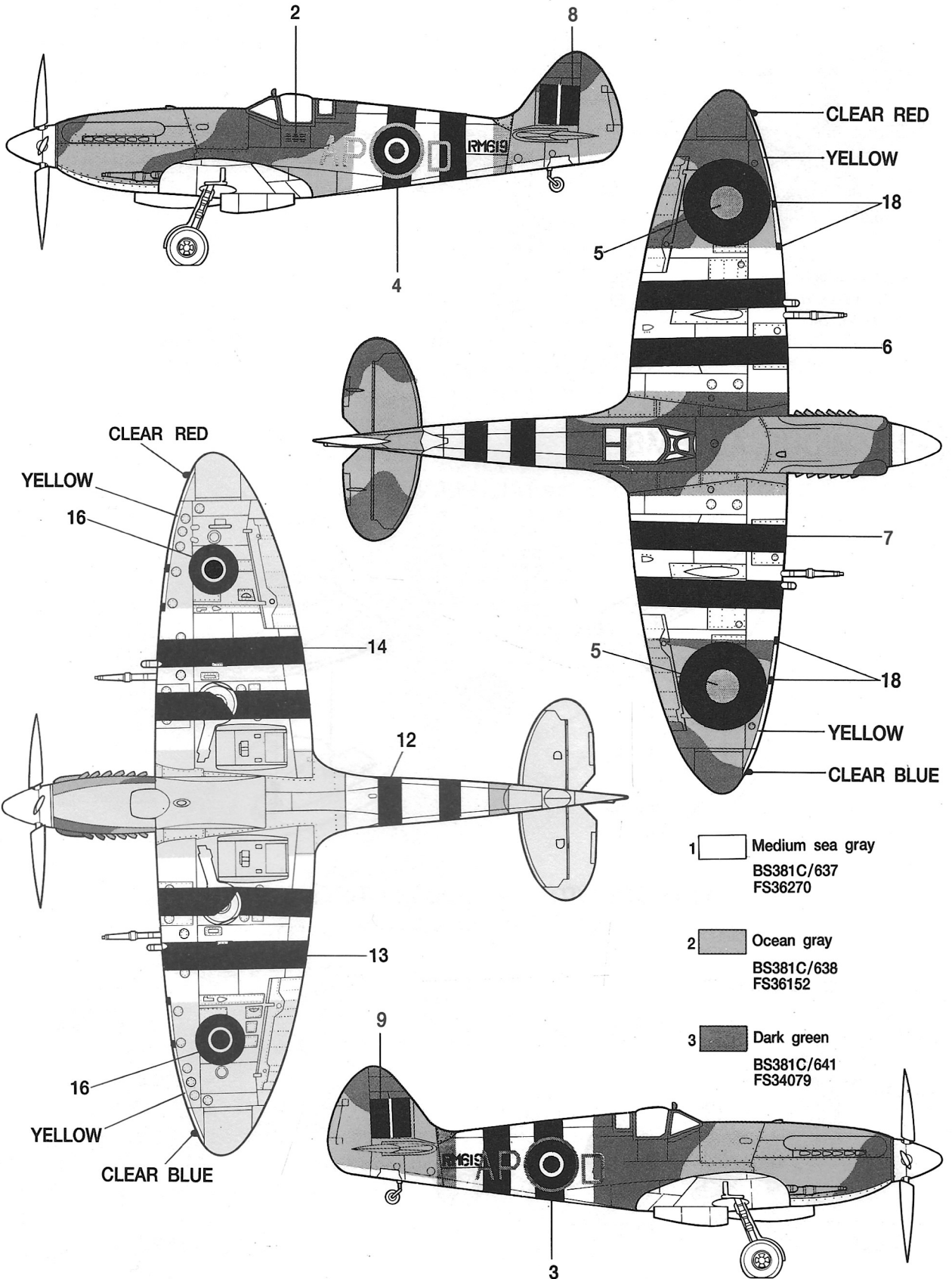
8 CANOPY INSTALLATION



ENGLISH	FRENCH	GERMAN	SPANISH	ITALIAN
BLACK	NOIR	SCHWARZ	NEGRO	NERO
SILVER	ARGENT	SILBERN	PLATA	ARGENTO
GLIMMETAL	METALLIC	METALLIC	METALLICO	METALLICO
ALUMINIUM	ALUMINIUM	ALUMINIUMFARBEN	ALUMINIO	ALLUMINIO
METALLIC	METALLIC	METALLIEN	METALLICO	METALLICO
GRAY	GRIS	GRAU	GRIS	GRIGIO
LT GRAY	GRIS CLAIR	HELLGRAU	GRIS CLARO	GRIGIO CHIARO
WHITE	BLANC	WEISS	BLANC	BIANCO
RED	ROUGE	ROT	ROJO	ROSSO
YELLOW	JAUNE	GELB	AMARILLO	GIALLO
BLUE	BLEU	BLAU	AZUL	BLU
ORANGE	ORANGE	ORANGE	NARANJADO	ARANCIO
GREEN	VERT	GRUN	VERDE	VERDE
BROWN	BRUN	BRAUN	MARRON	MARRONE
TAN	BRUN CLAIR	GELBBRAUN	CANELA	MARRONE CHIARO

2157

Painting and Decal Placement



1  Medium sea gray
BS381C/637
FS36270

2  Ocean gray
BS381C/638
FS36152

3  Dark green
BS381C/641
FS34079



DO NOT cement
Ne pas coller
Nicht kleben
No pegar
Non incollare
Nao colar
Niet kleven



Cut away
Couper
Scheiden
Cortar
Tagliare
Cortar
Snijden



Optional parts
Choix
Auswahlmoglichkeit
Eleccion
Scelta
Opcao
Keuze



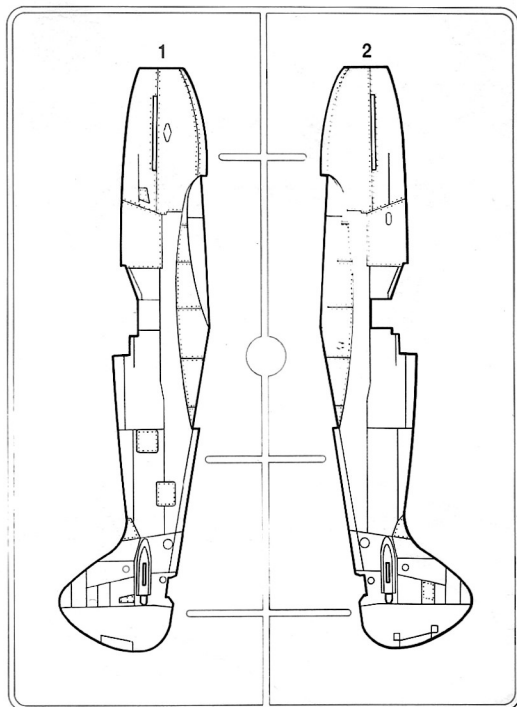
Repeat operation
Répéter l'opération
Vorgang wiederholen
Repitir la operacion
Ripetere
Repitir a operação
Herhalen

ACADEMY
HOBBY MODEL KITS

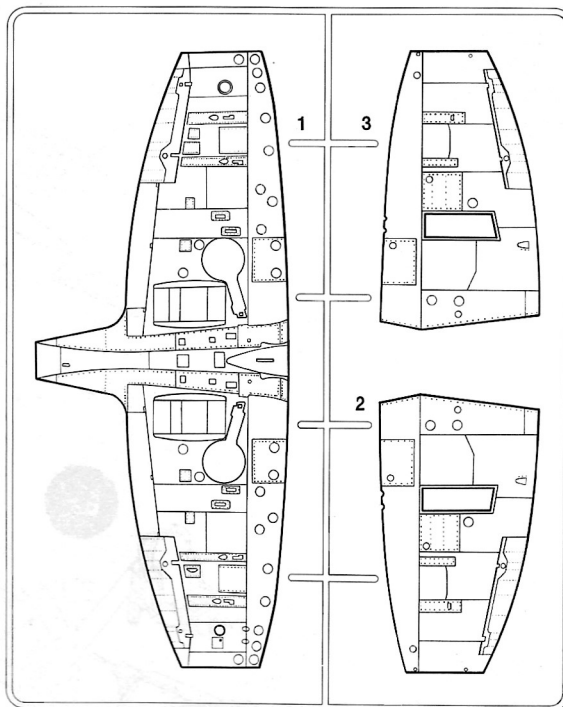
ACADEMY
ACADEMY PLASTIC MODEL CO., LTD.
521-1, Yonghyeon-dong, Uijeongbu-si, Gyeonggi-do, Korea
고객상담센터: 080-909-7000

Parts Locating Diagram

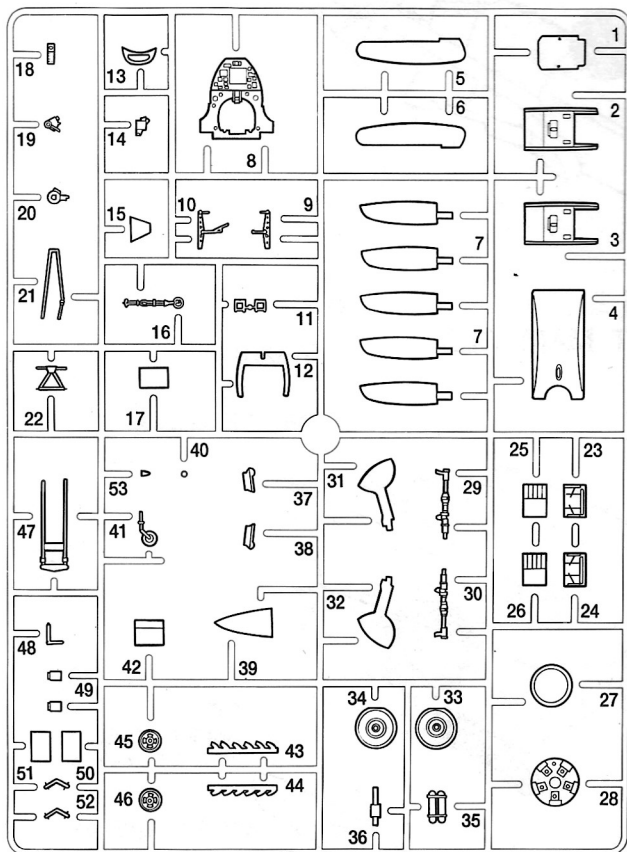
A



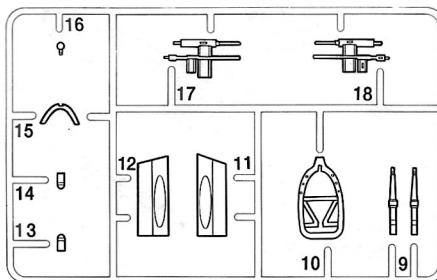
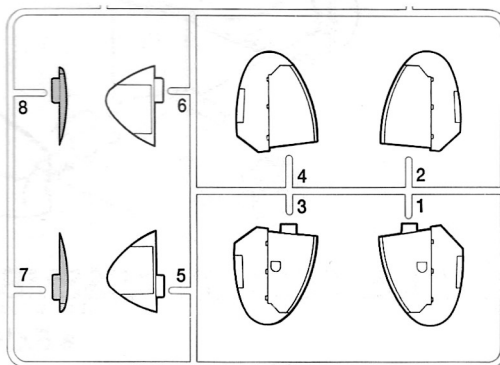
B



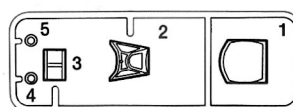
C



D



E



※ Unused parts: D7, D8

ACADEMY
HOBBY MODEL KITS

2157