

M4 Command and Control Vehicle (C2V)

M4指挥车(C2V)

READ BEFORE ASSEMBLY:

- Study and understand these instructions thoroughly before beginning assembly
- When needed, remove photo-etch parts carefully using a modeling knife or photo etch sprue cutter, being careful not to damage or lose small parts.
- Take extra care in handling photo etch parts in order to avoid injury
- Apply instant cement sparingly to photo etch parts where instructed
- Tools recommended(not included in kit):Plastic and instant cements, sprue cutters,long nose pliers,modeling knife, small files, tweezers, pin vise & scissors. Soft cloth and sandpaper will also assist in construction
- Glue and paint are not included in the kit. Use plastic cement and hobby paints only. Color guide for purchasing paint is included in the kit.

装配之前仔细阅读

- 小心用模型锉刀锉平所有零件表面的注射浇口。
- 小心用刀片切下蚀刻片零件，不要遗失小零件。
- 用强力快干胶水粘合蚀刻片零件和金属轴。过量快干胶水使用可能导致可动零件会粘住，小心涂胶。
- 取蚀刻片时应特别注意安全，防止利边划伤手指。
- 某些零件表面需贴上水贴纸，请选择在装配的同时进行。
- 推荐模型工具(自备)：胶水，水口剪刀，长阻钳，刀片，锉刀，镊子，钳，钻，剪刀，瞬间快干胶。
- 软布同砂纸同时也应该是必备工具。
- 请使用塑料胶水和油漆，模型内不含。



配重
Weight



使用强力胶
Cyanoacrylate glue



钻孔
Make hole



切除
Cut / Remove



贴纸
Decal



锉平
File / Sand



选择
Option



不涂胶水
No cement



弯曲
Bend



先装
Install it first

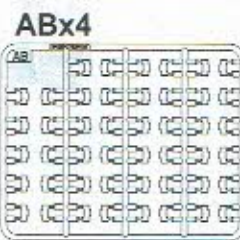
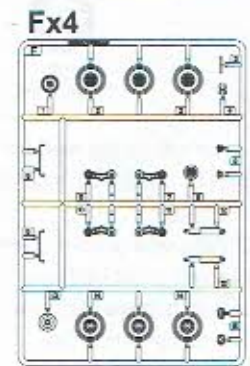
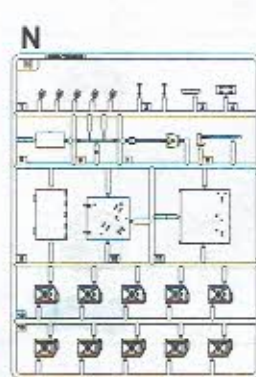
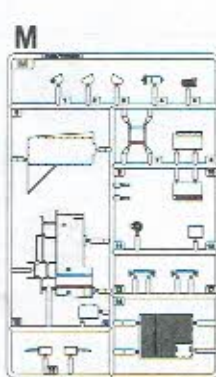
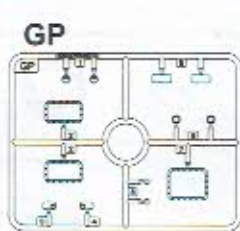
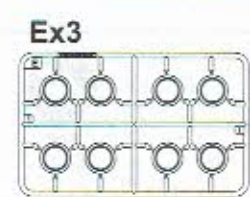
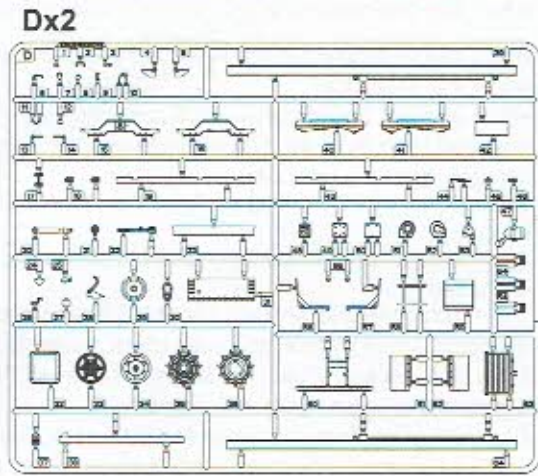
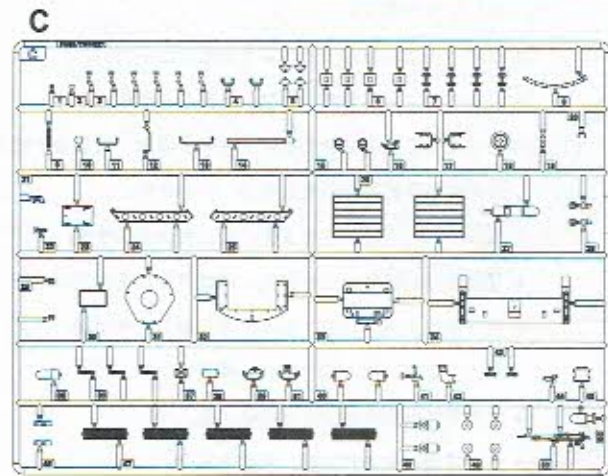
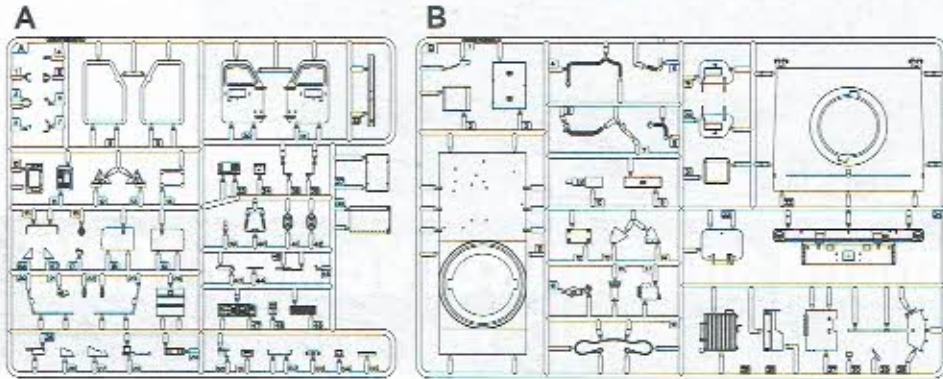
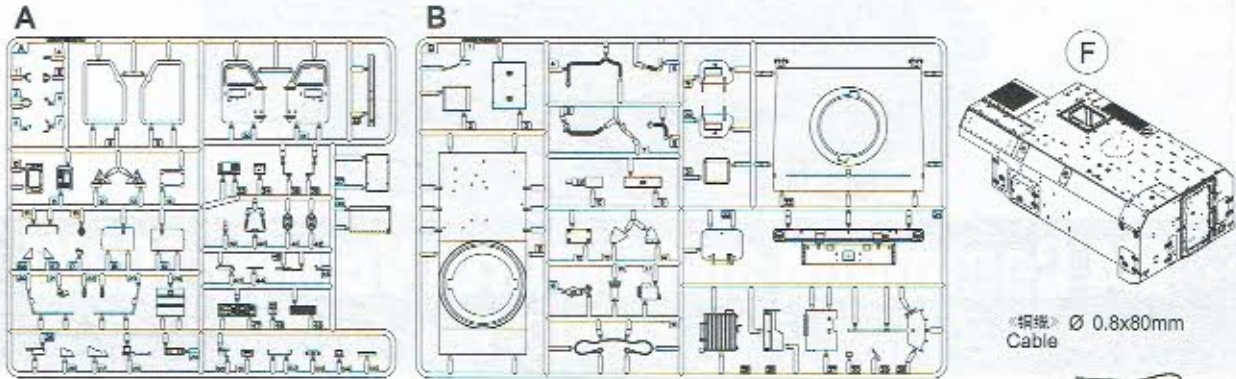
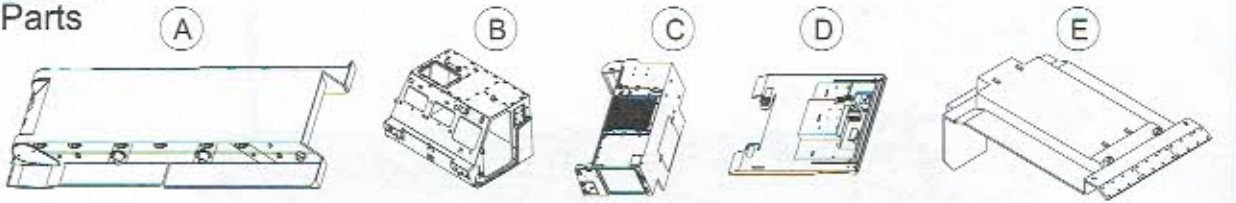
水贴纸的使用:

- 1.从水贴纸上剪下印花;
- 2.将印花放入温水中浸10秒,然后放在干净布上.
- 3.拿着印花纸板将印花移到模型上;
- 4.手指蘸水将印花移到适当的位置;
- 5.用软布轻压印花直至水干, 气泡消失

DECAL APPLICATION

- 1.Cut decals from sheet as needed
- 2.Dip the decal in warm water for about 10 seconds and then place on soft clean cloth.
- 3.Hold the decal backing sheet edge and gently slide the decal onto the model in its proper position.
- 4.While still wet,decal can be adjusted for better fit on model by dampening it gently with your finger.
- 5.When placed in the proper position,gently press decal down with a soft cloth until excess water and air bubbles are gone.
- 6.Allow decal to dry completely before handling model

部品图
Parts



《覆铜板》x92
Track

《水贴纸》
Decal

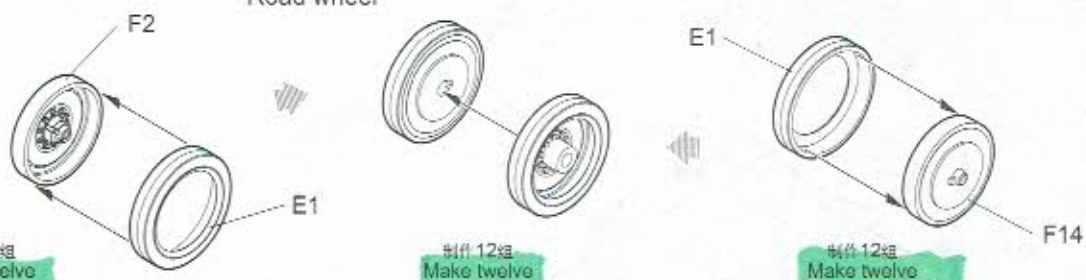


《遮罩纸》
Die-cut mask

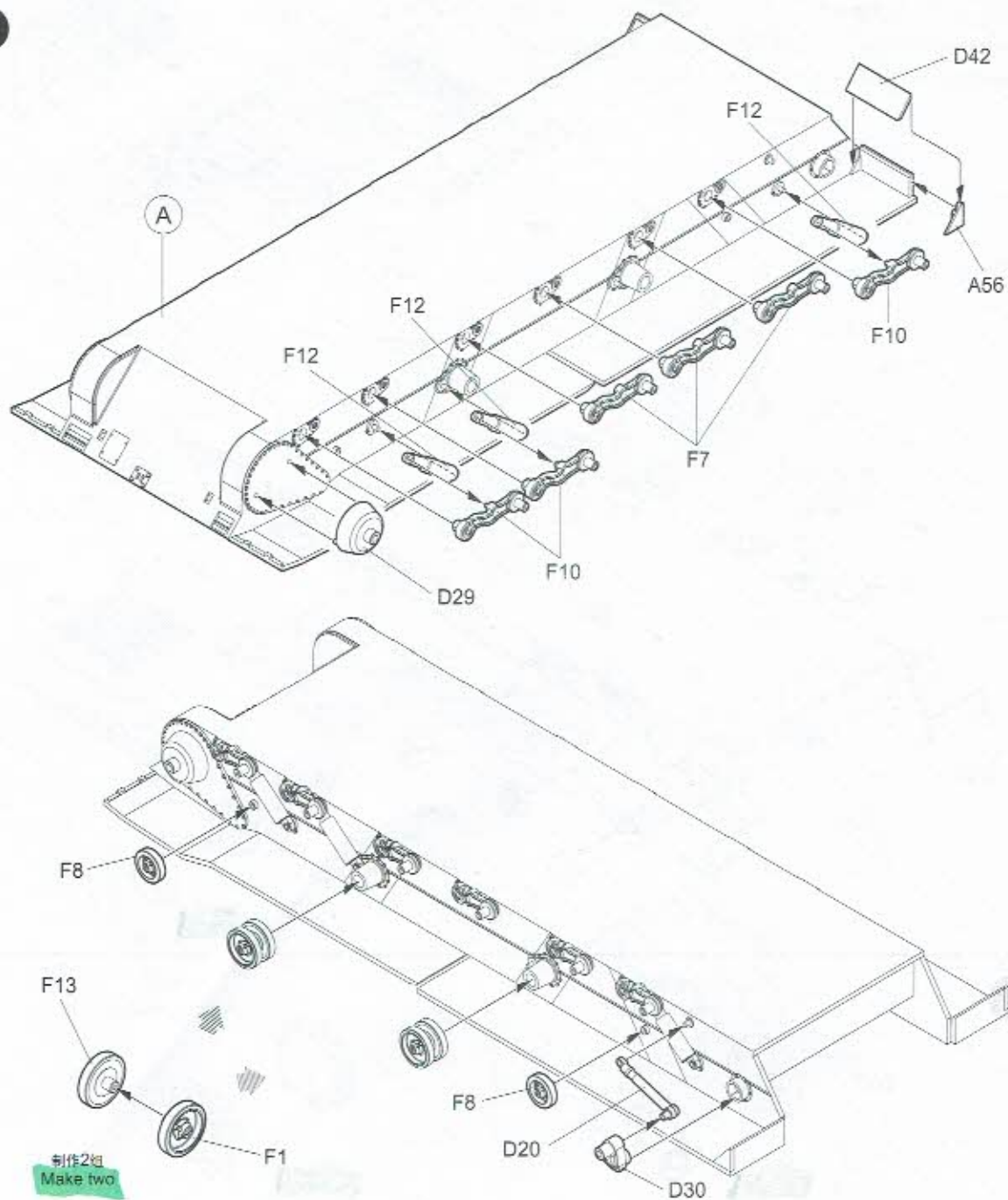


1

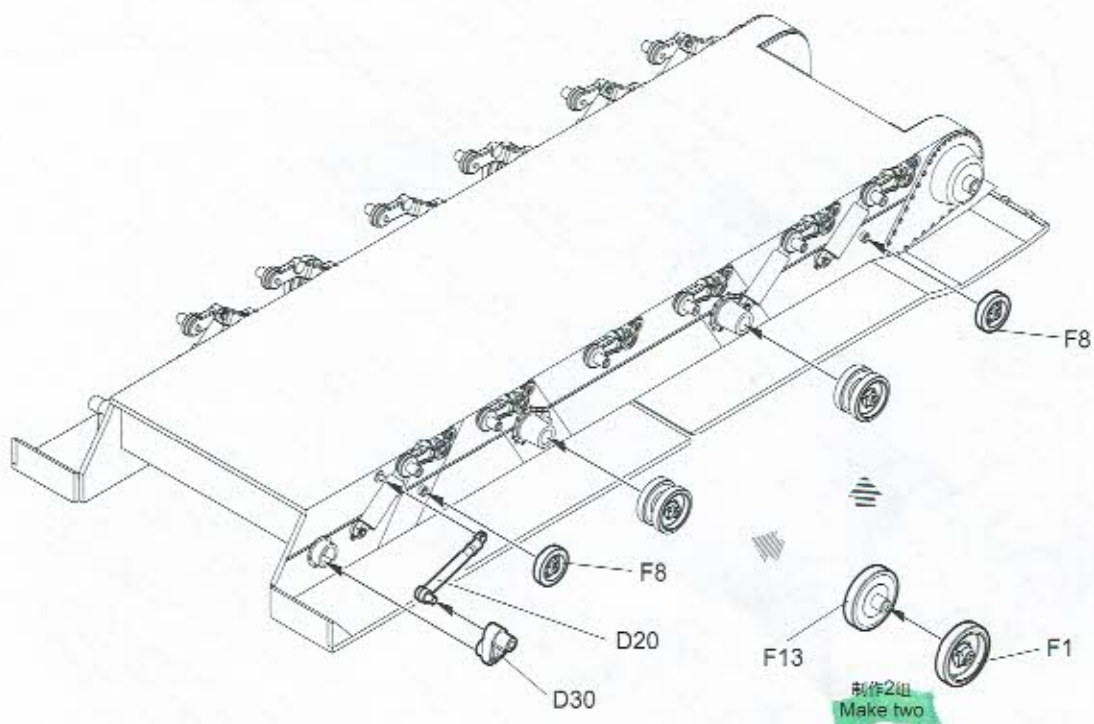
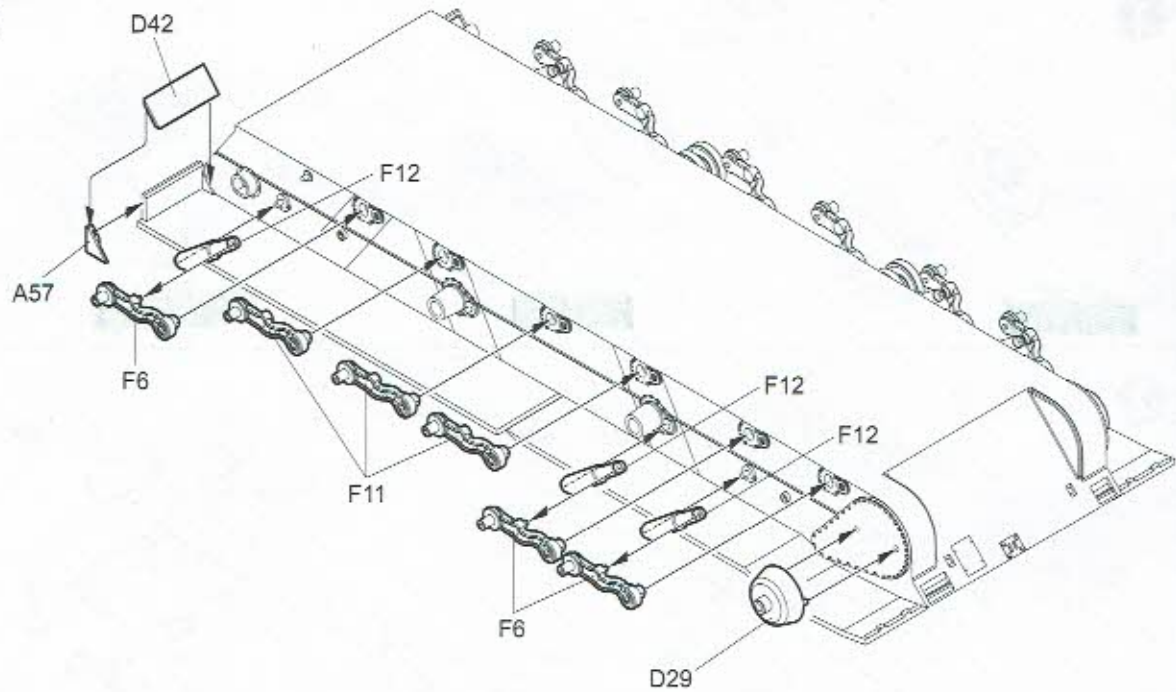
《负重轮》
Road wheel



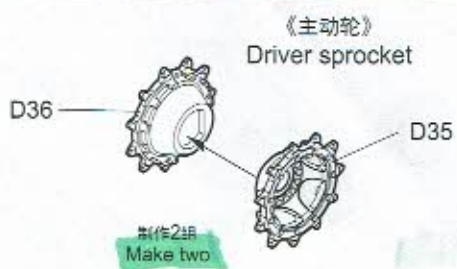
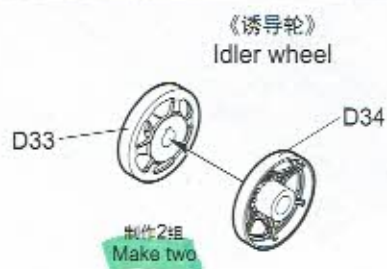
2



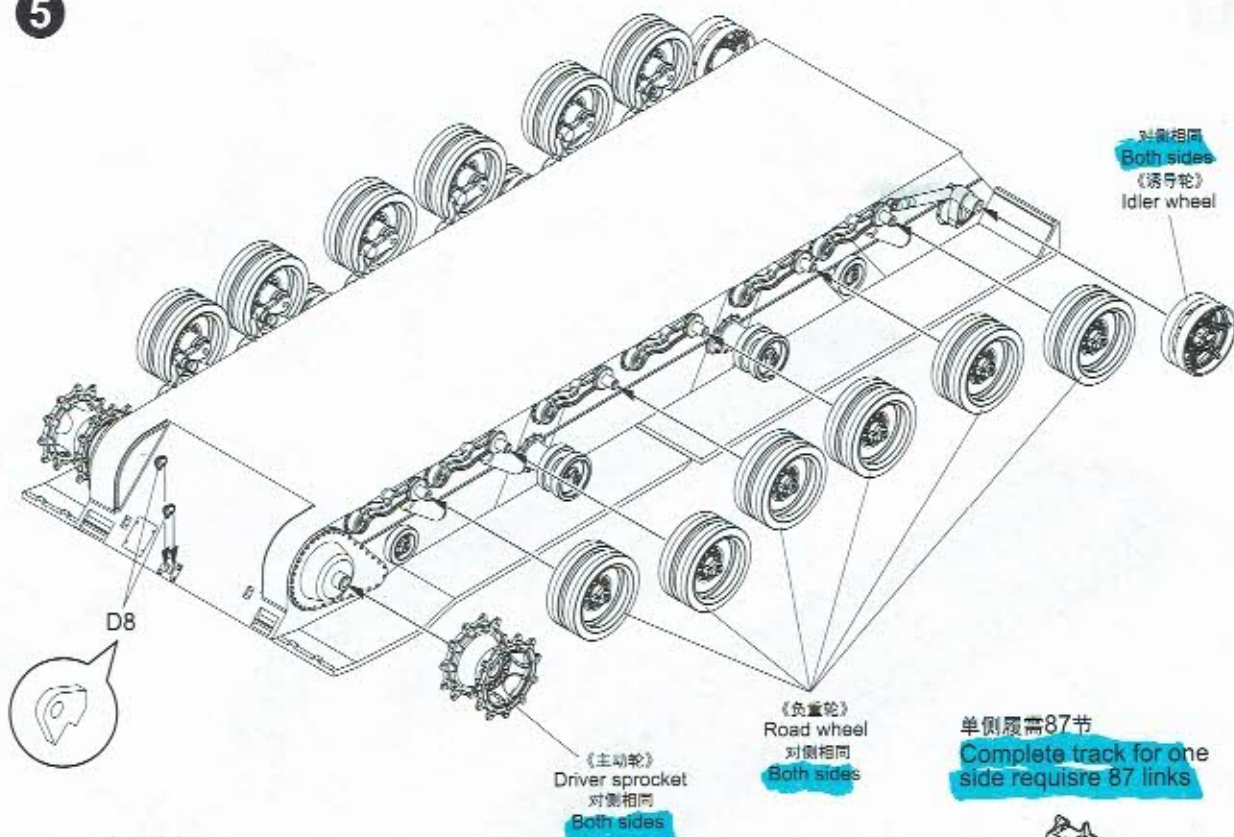
3



4

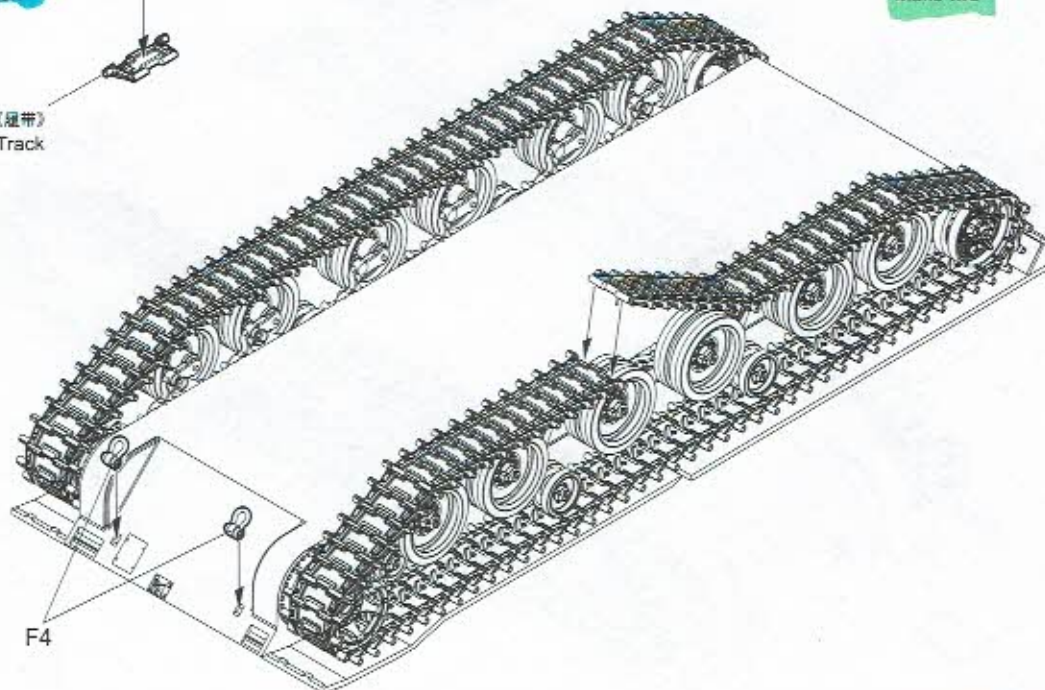
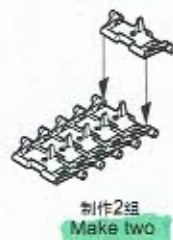


5

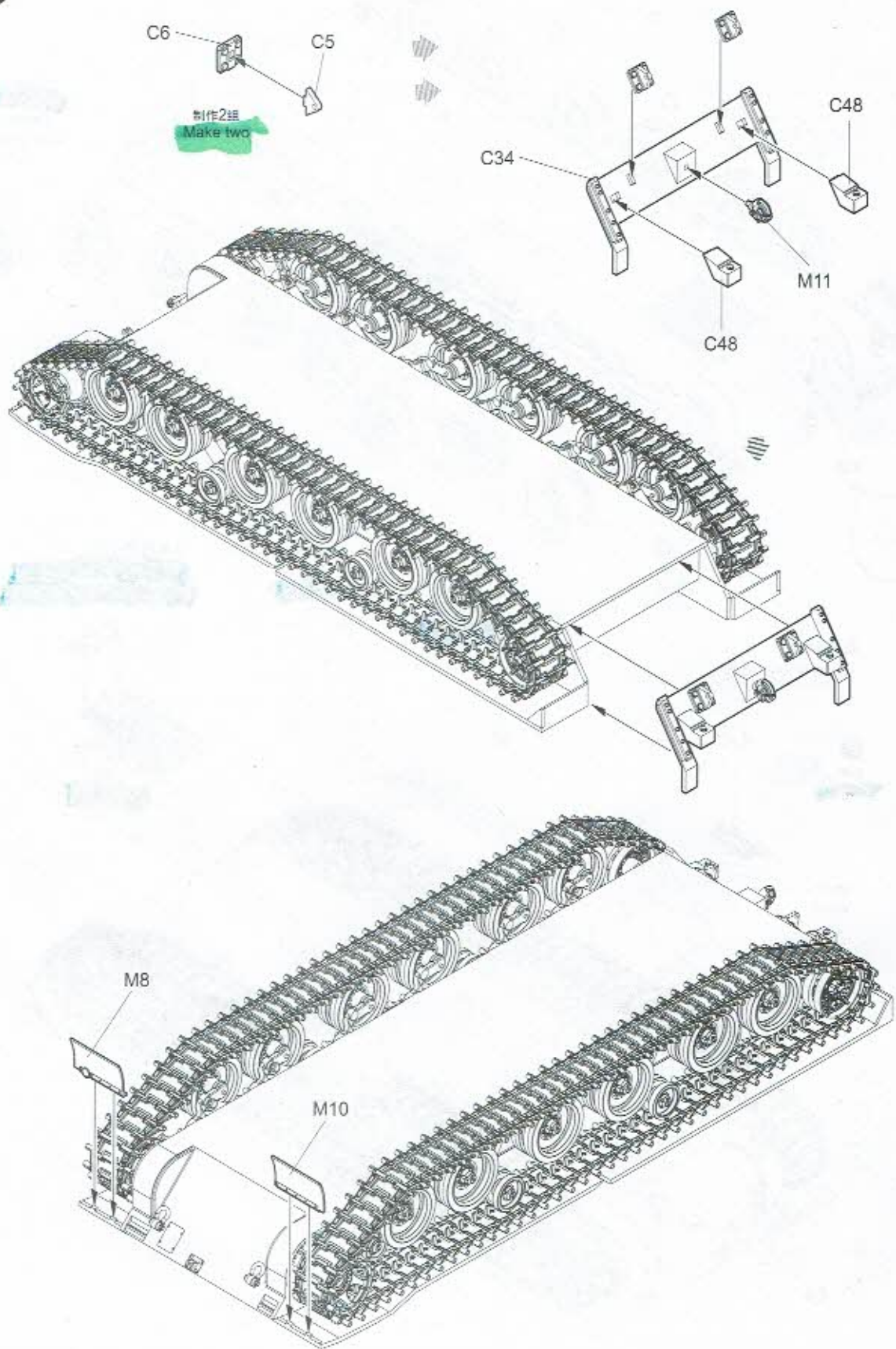


单侧履带87节
Complete track for one side requires 87 links

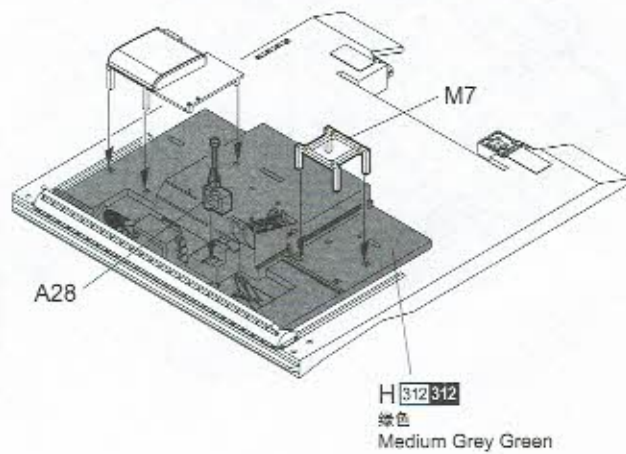
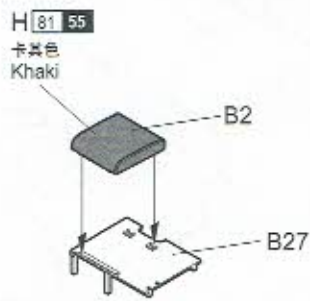
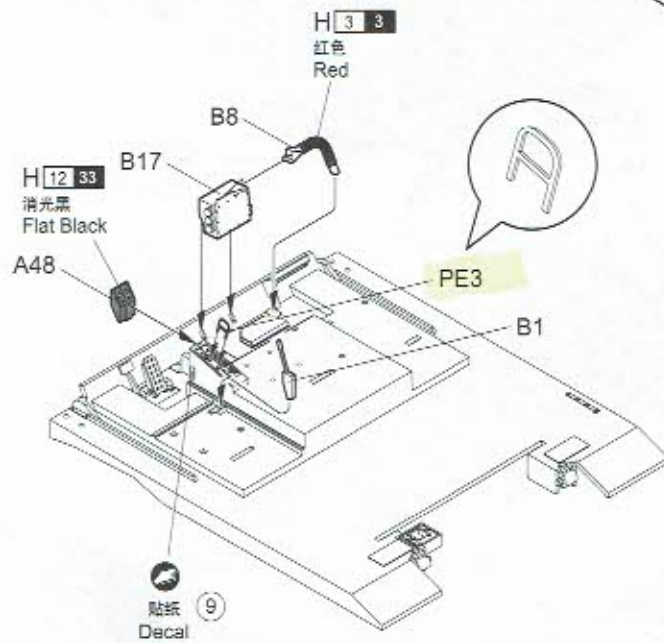
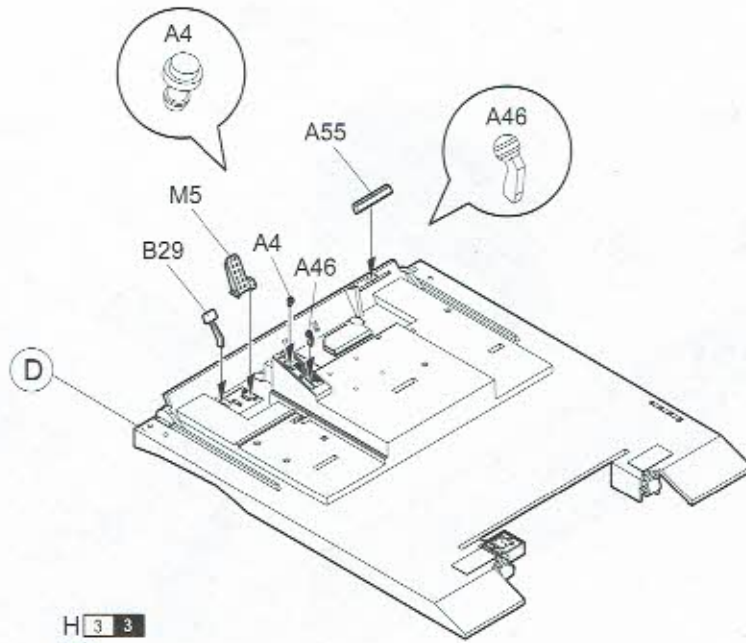
履带组装
Track assembly



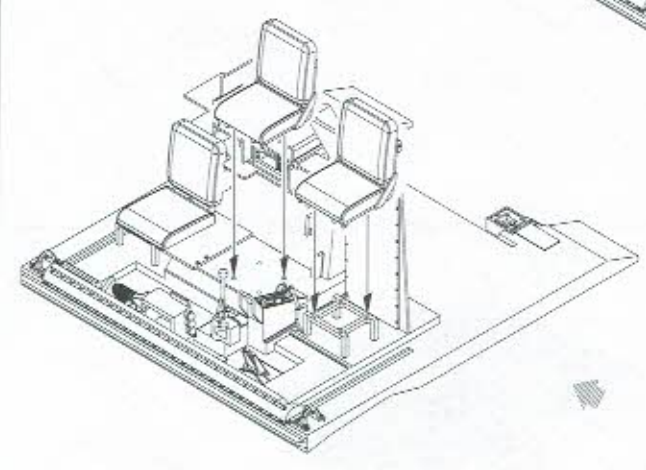
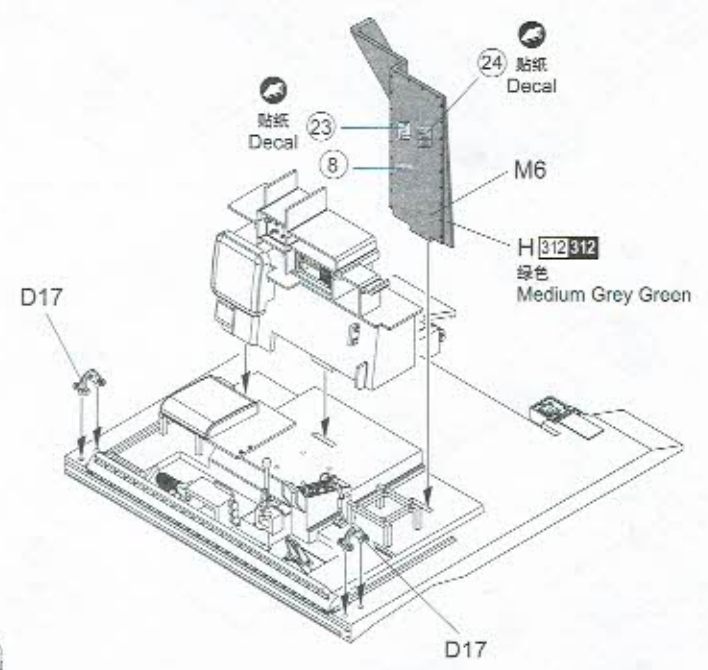
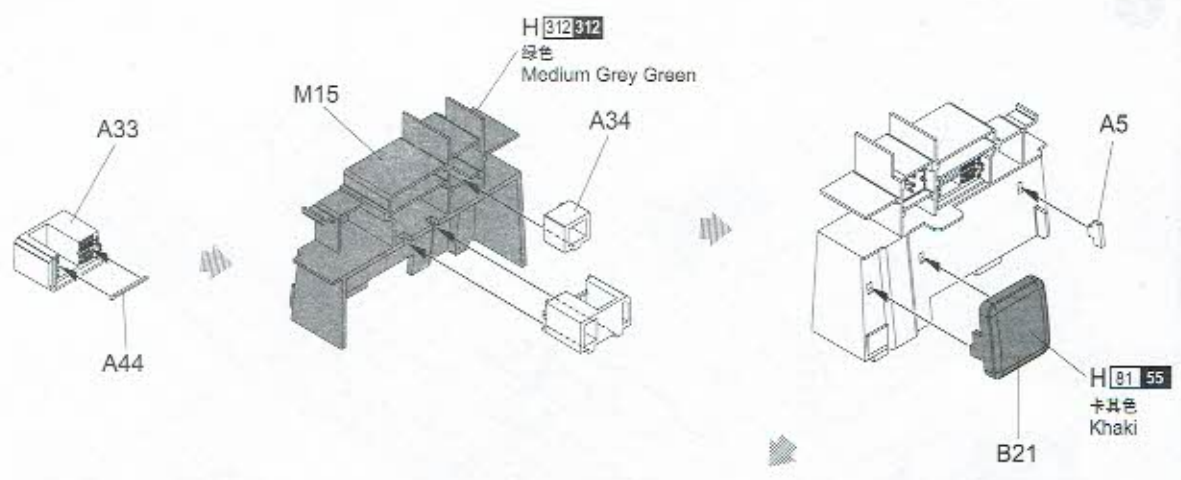
6



7



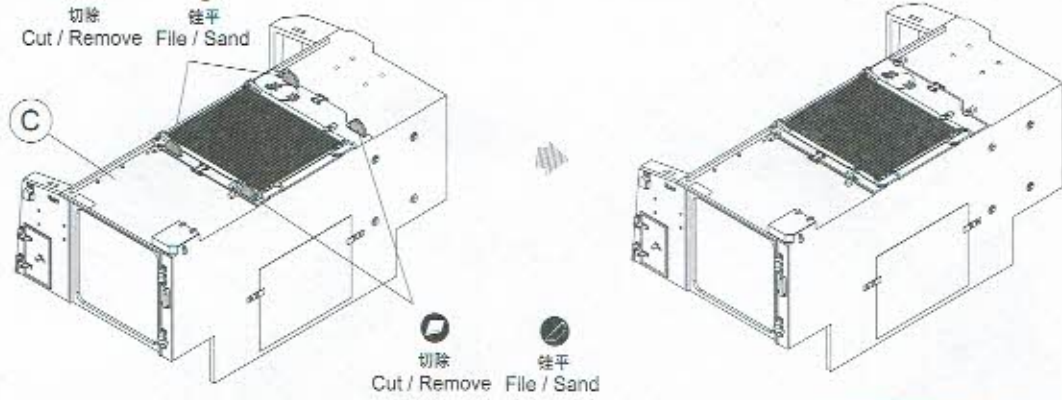
8



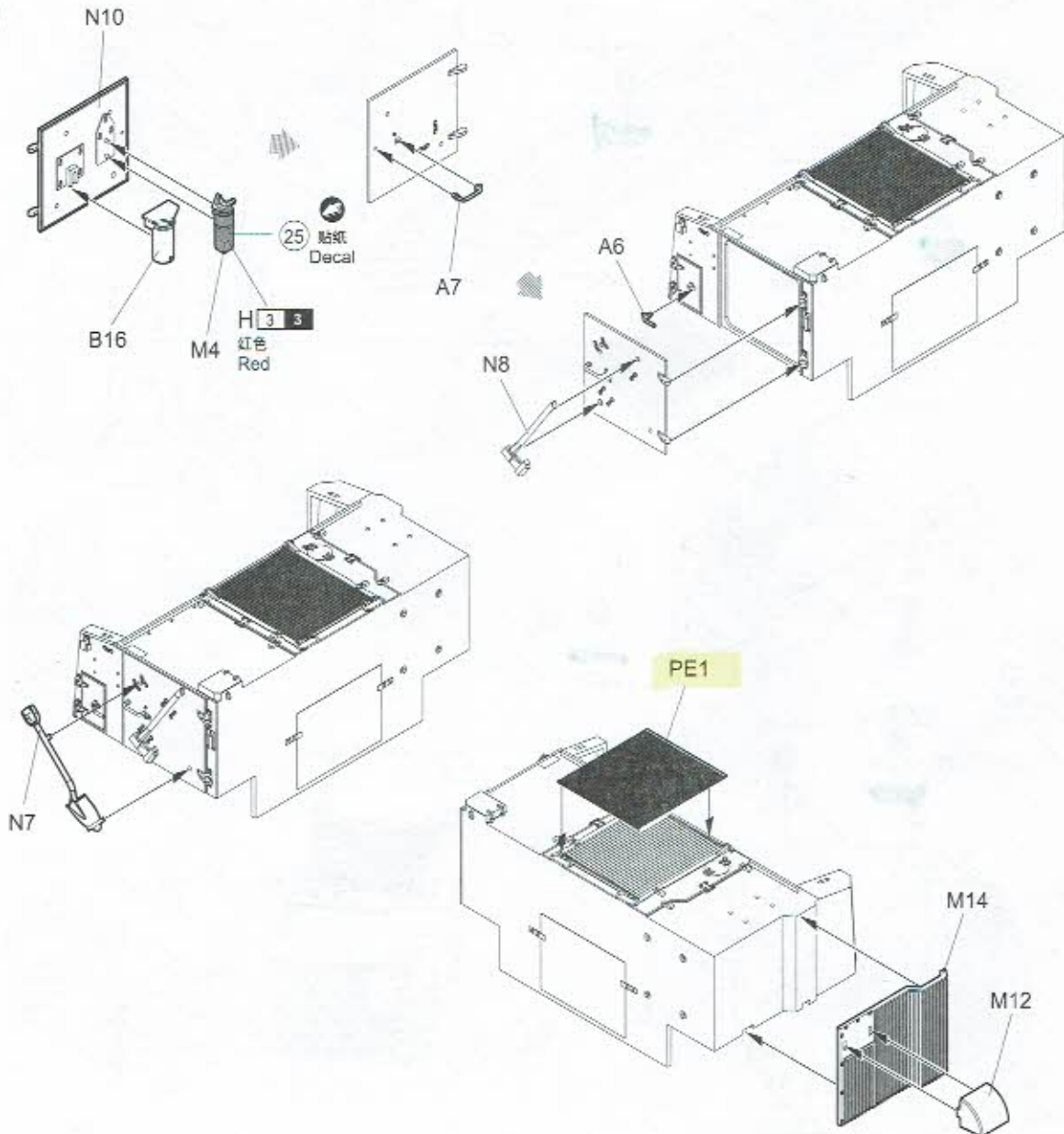
制作2组
Make two

9

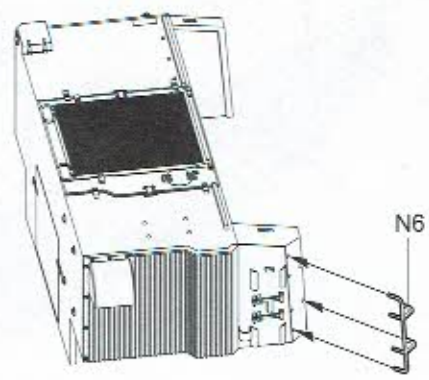
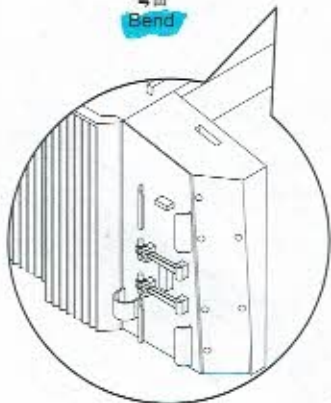
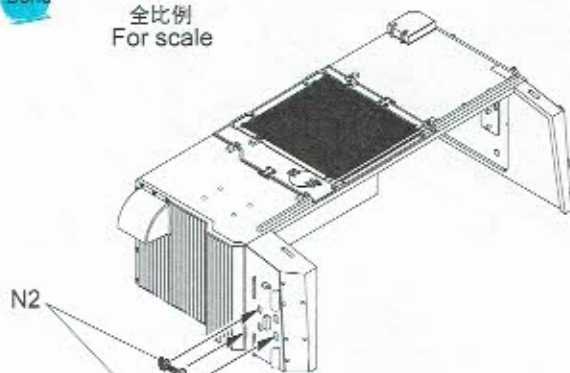
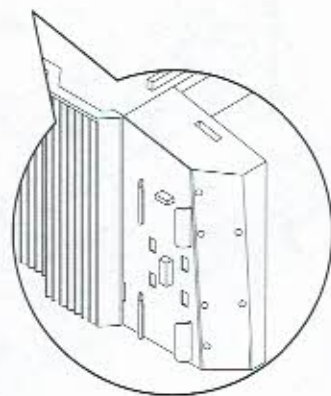
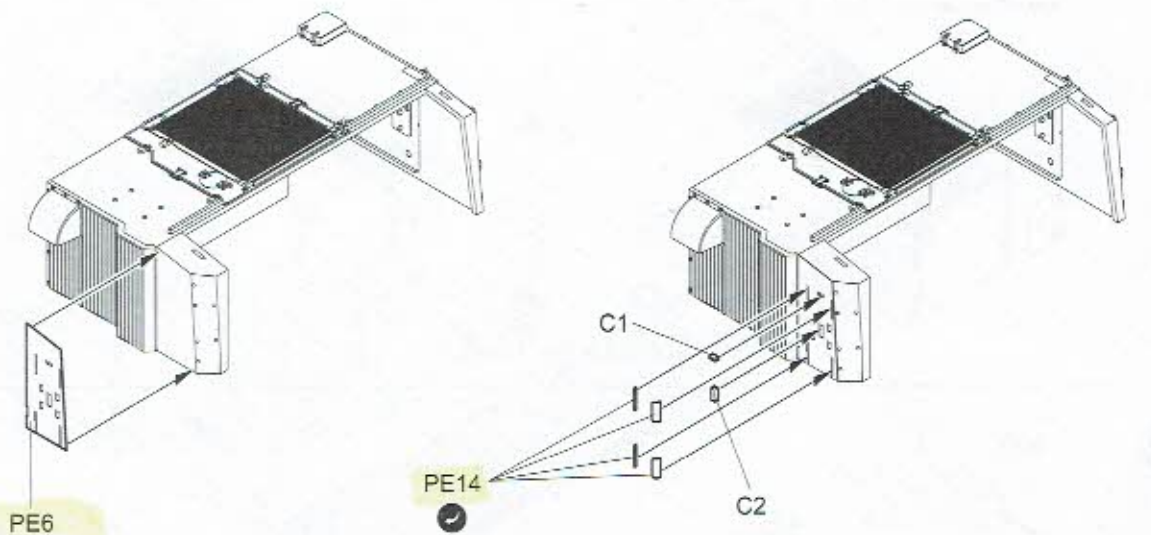
切除 锉平
Cut / Remove File / Sand



10



11

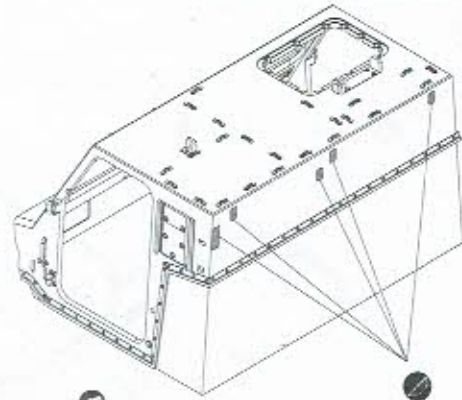
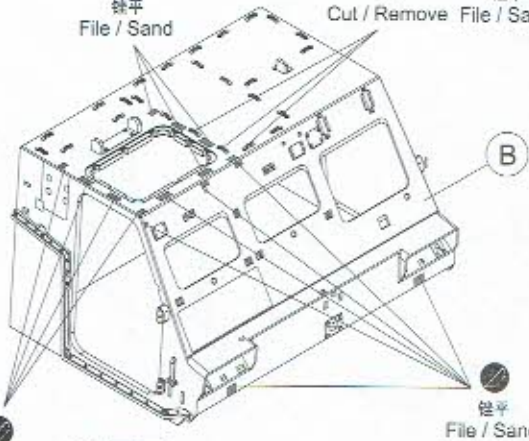


12

锉平
File / Sand

切除
Cut / Remove

锉平
File / Sand



锉平
File / Sand

H 312 312
绿色
Medium Grey Green

1b
《遮盖纸》
Die-cut mask

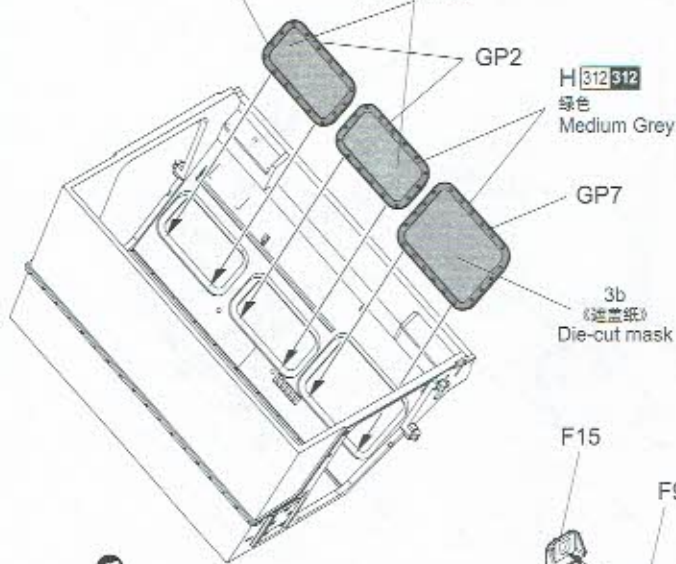
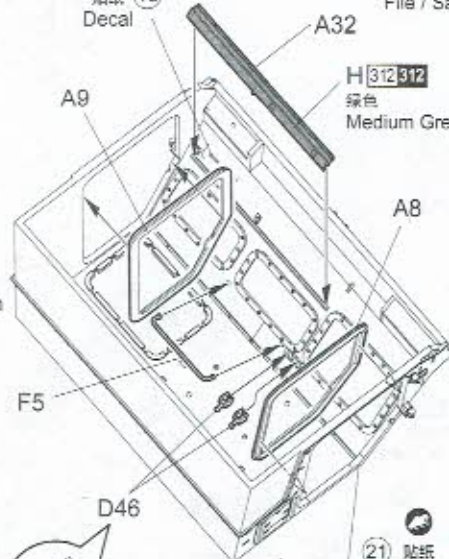
锉平
File / Sand

贴纸
Decal

13

锉平
File / Sand

H 312 312
绿色
Medium Grey Green



H 312 312
绿色
Medium Grey Green

GP7

3b
《遮盖纸》
Die-cut mask



贴纸
Decal

21

F15

F9

制作3组
Make three



27 贴纸
Decal

20 贴纸
Decal

19 贴纸
Decal

29 贴纸
Decal

28 贴纸
Decal

贴纸
Decal

28

18

D48

H 312 312
绿色
Medium Grey Green

贴纸
Decal

22

17

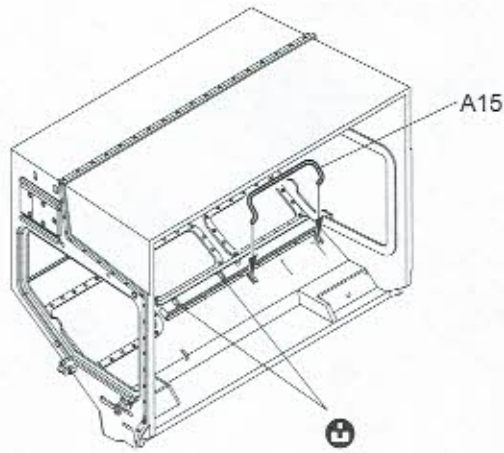
A51

A29

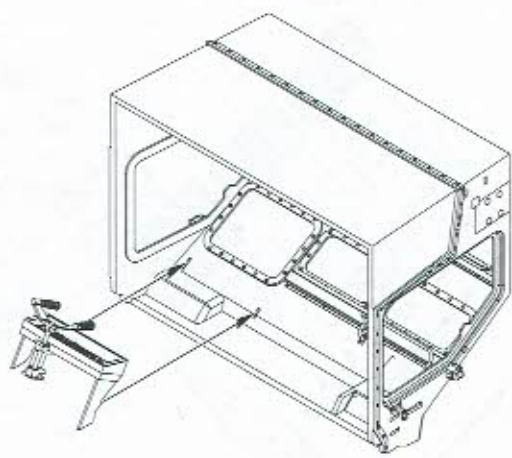
A54

A53





填补
Repair



H 12 33
消光黑
Flat black

H 12 33
消光黑
Flat black



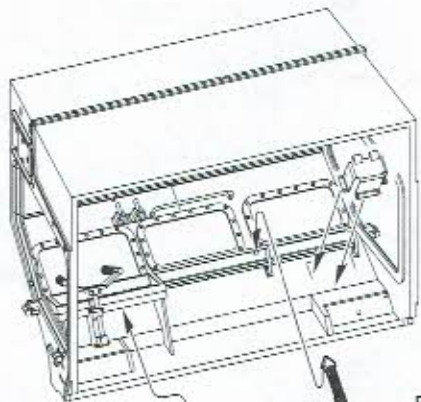
A47

贴纸
Decal

30

A27

A26



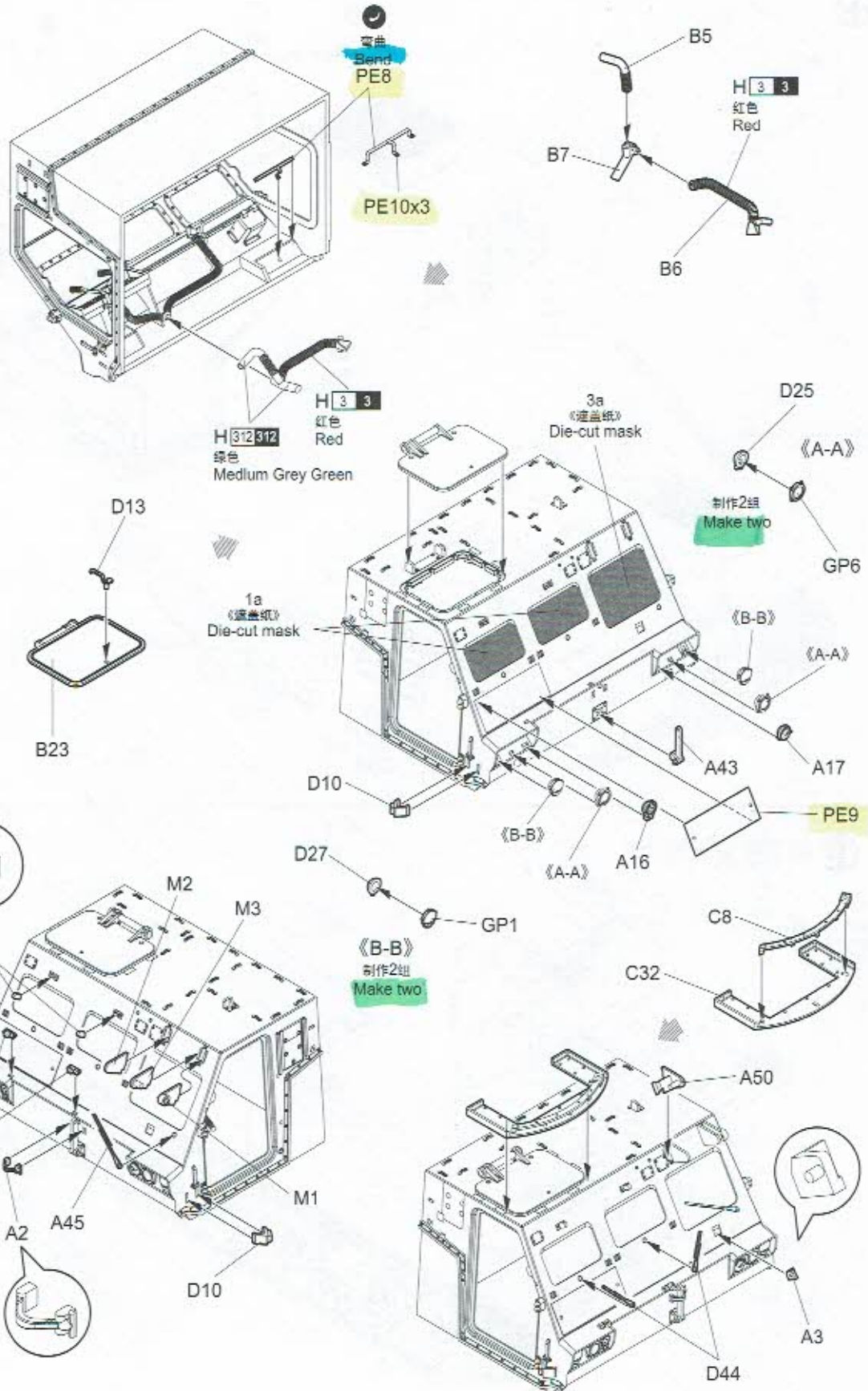
B4
H 3 3
红色
Red

PE4

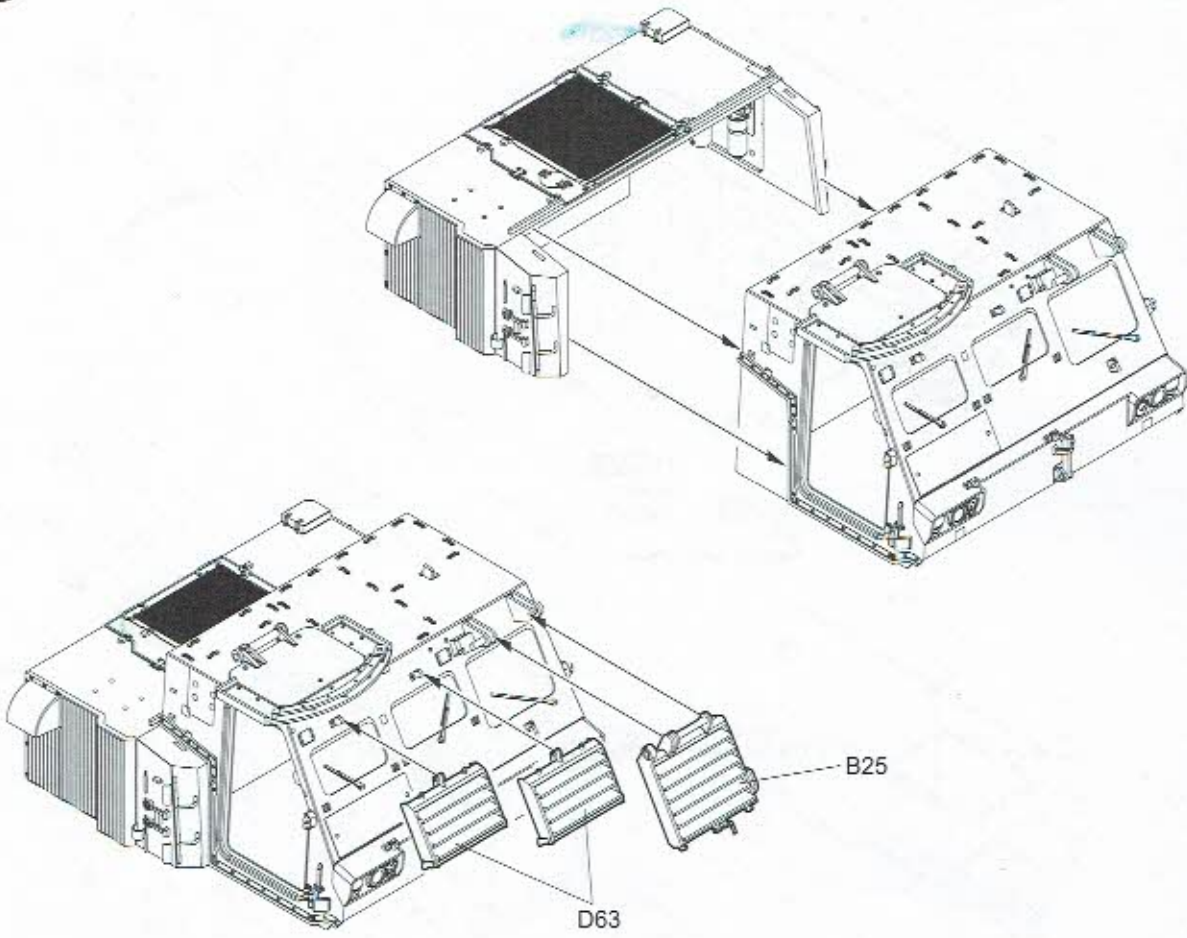
PE11

弯曲
Bend

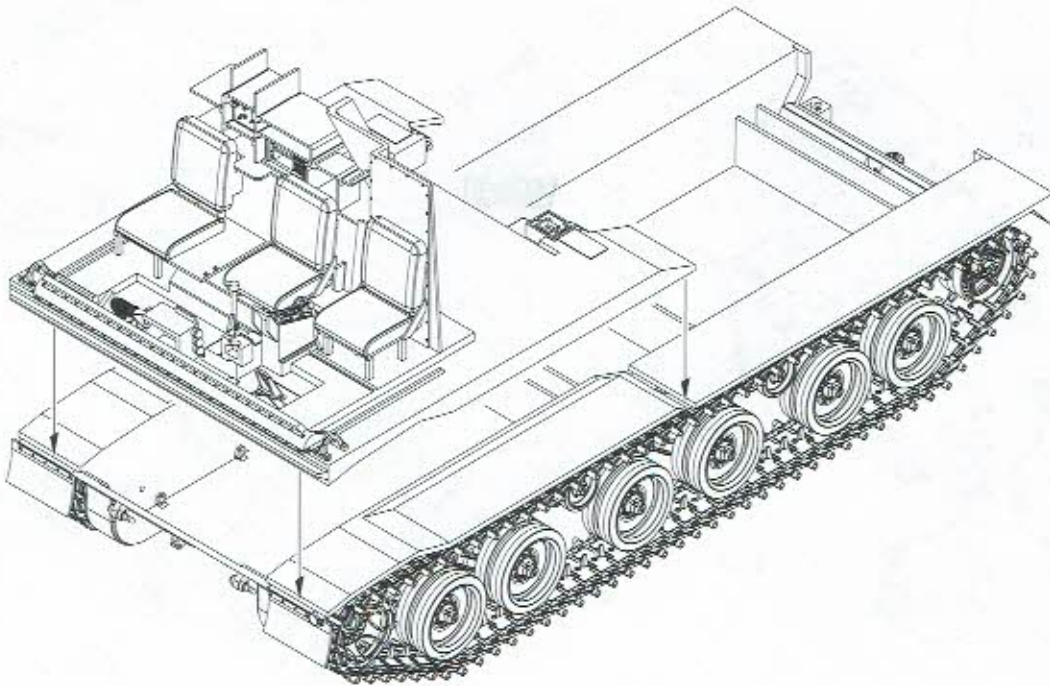
14



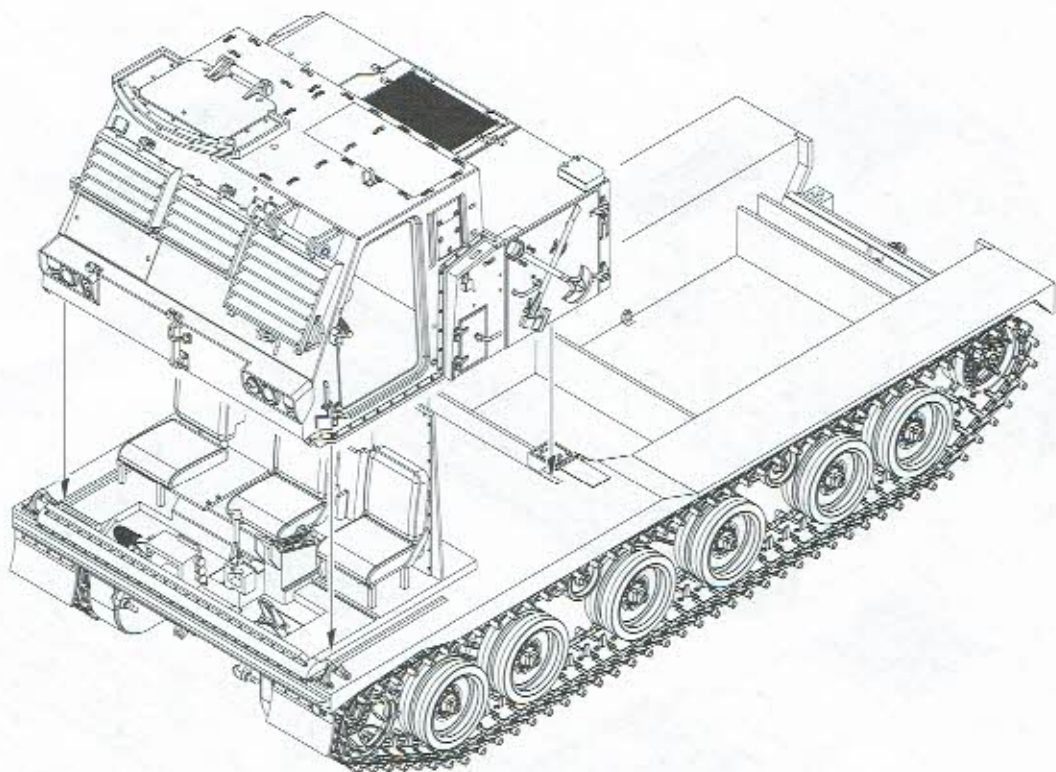
15



16

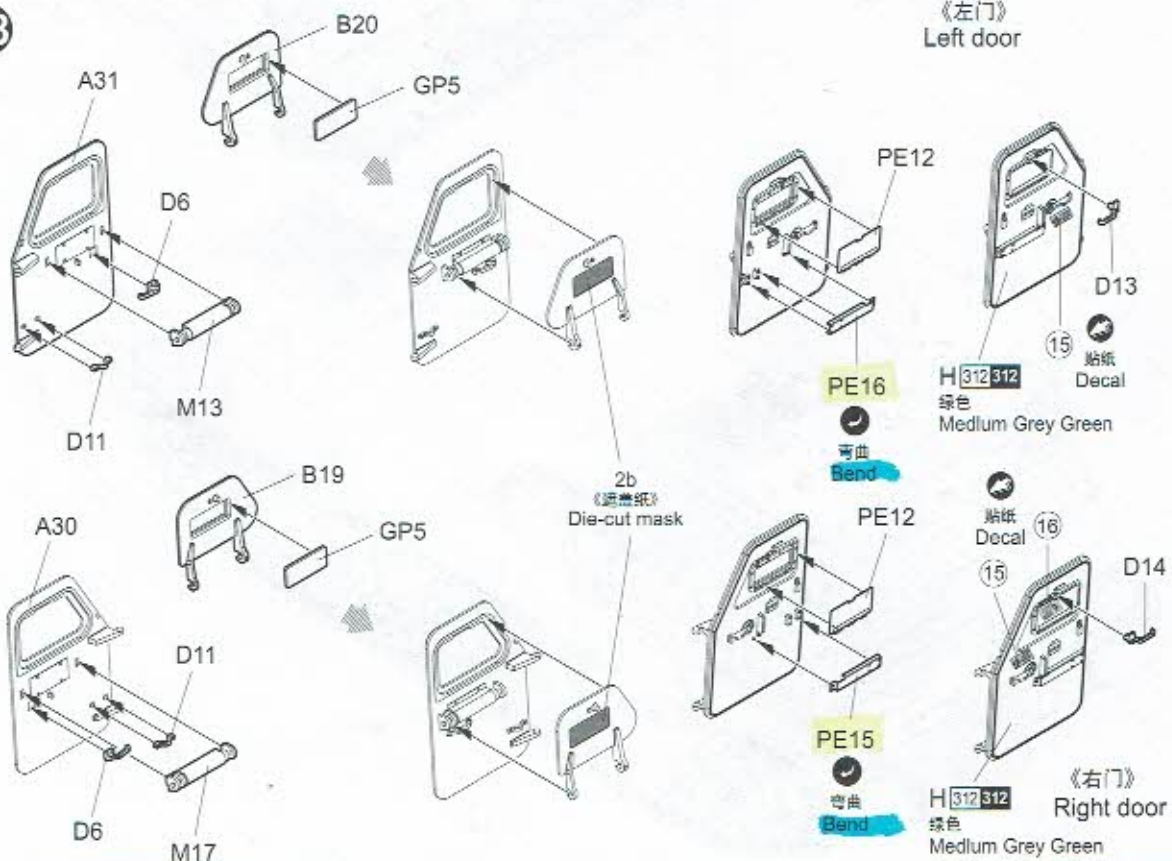


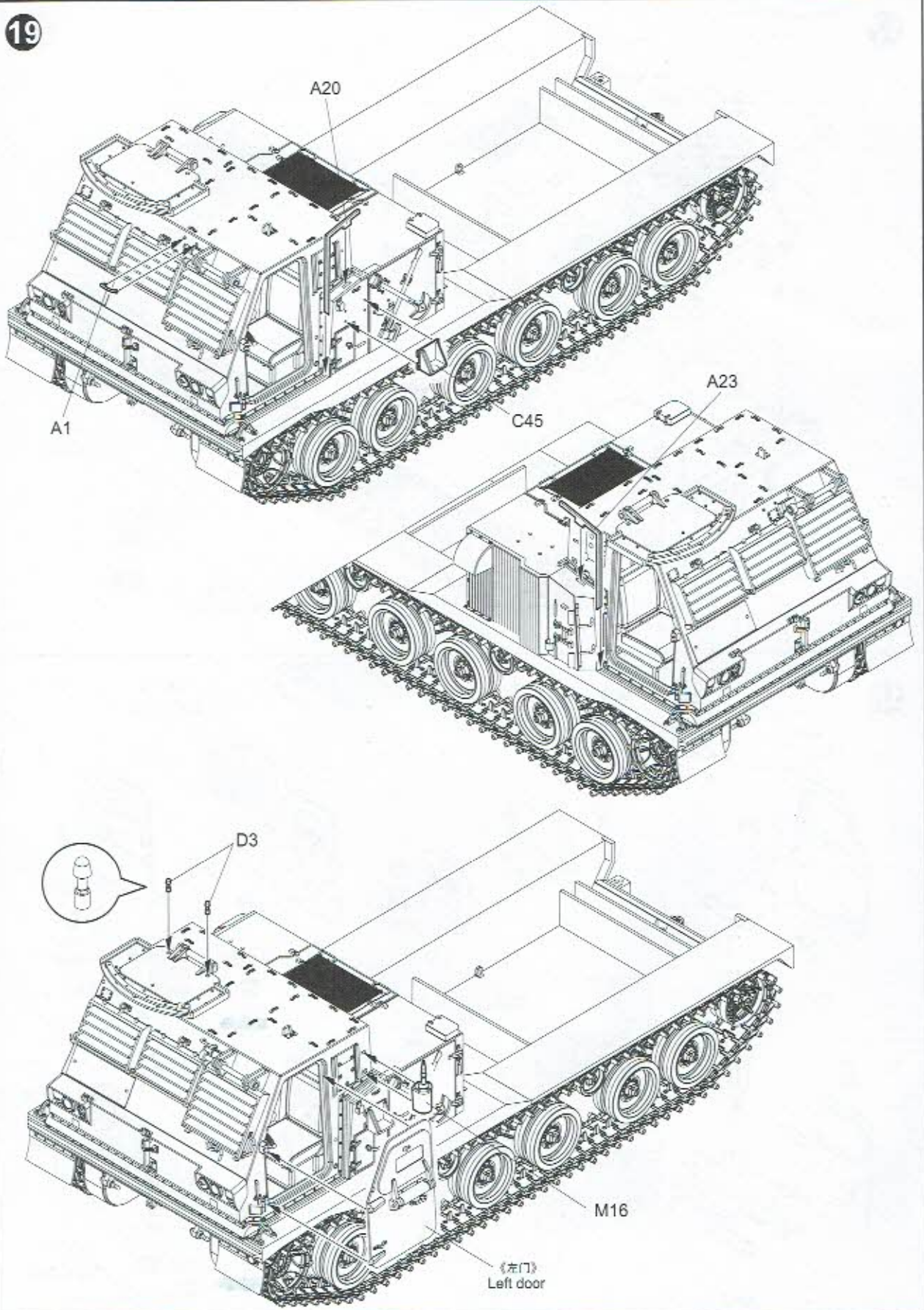
17

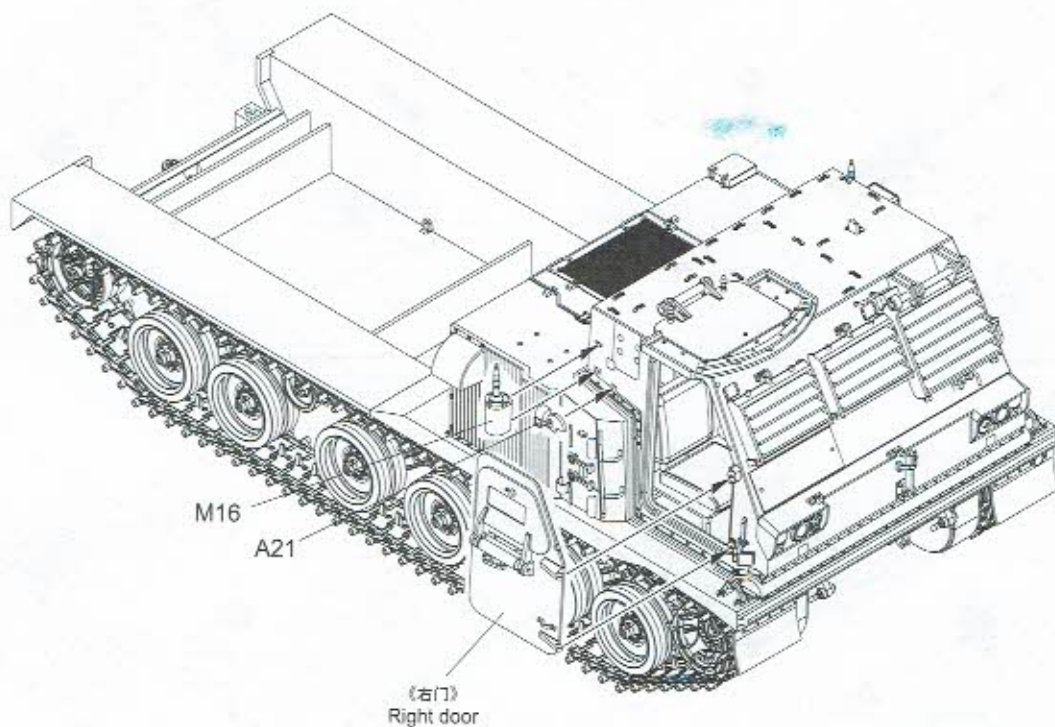
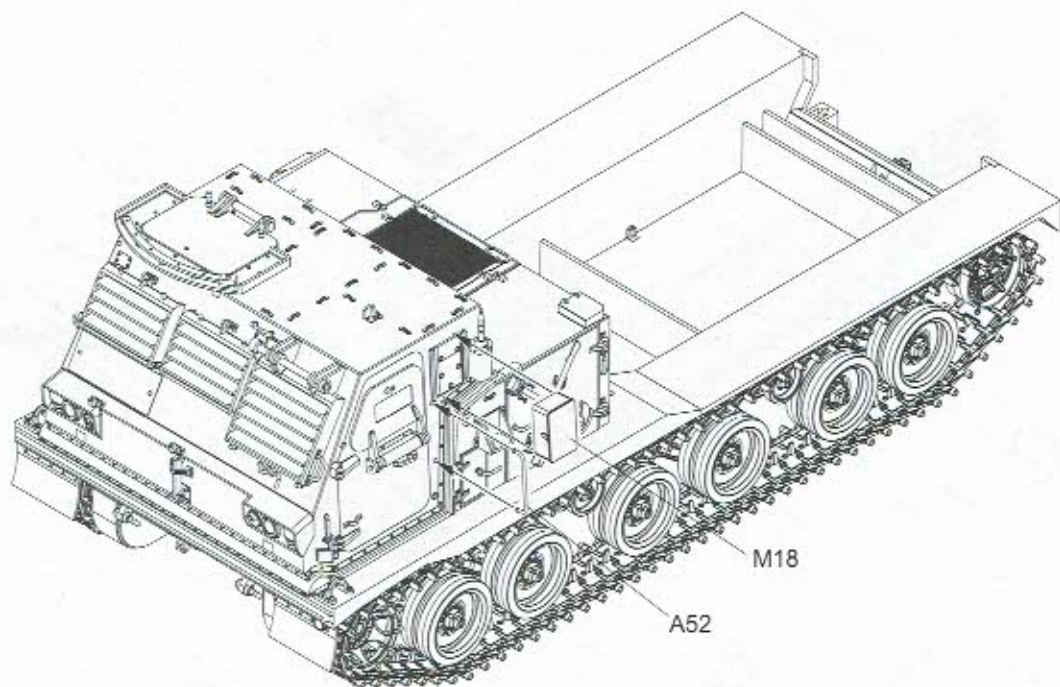


18

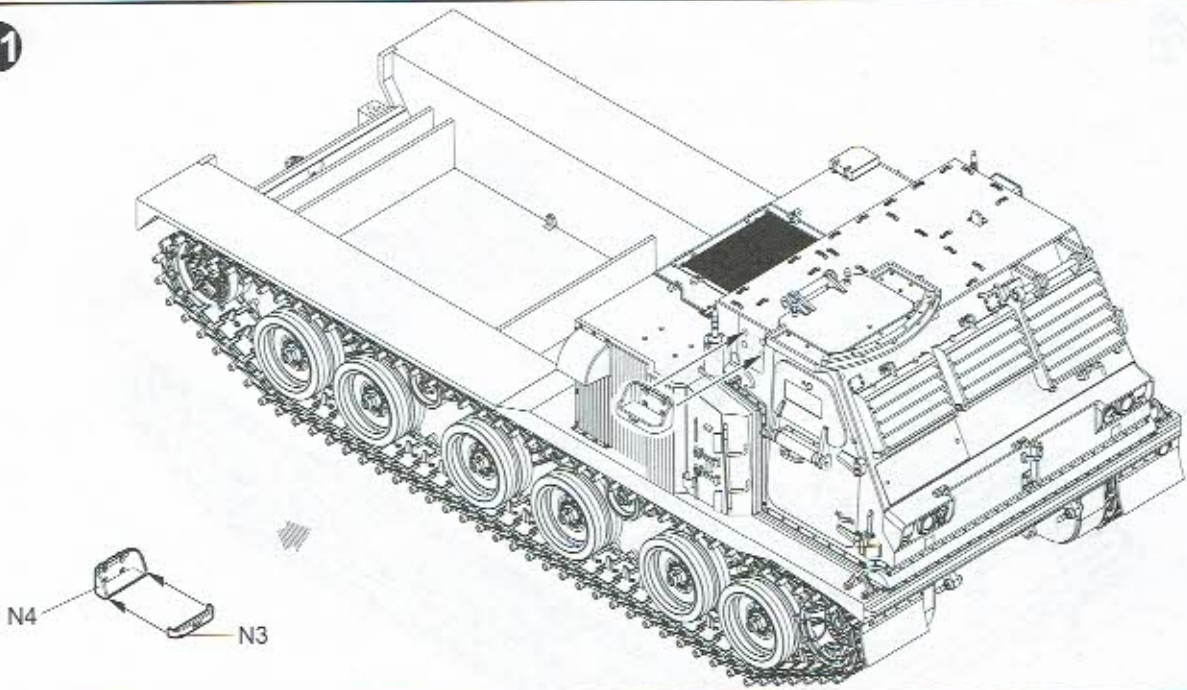
《左门》
Left door



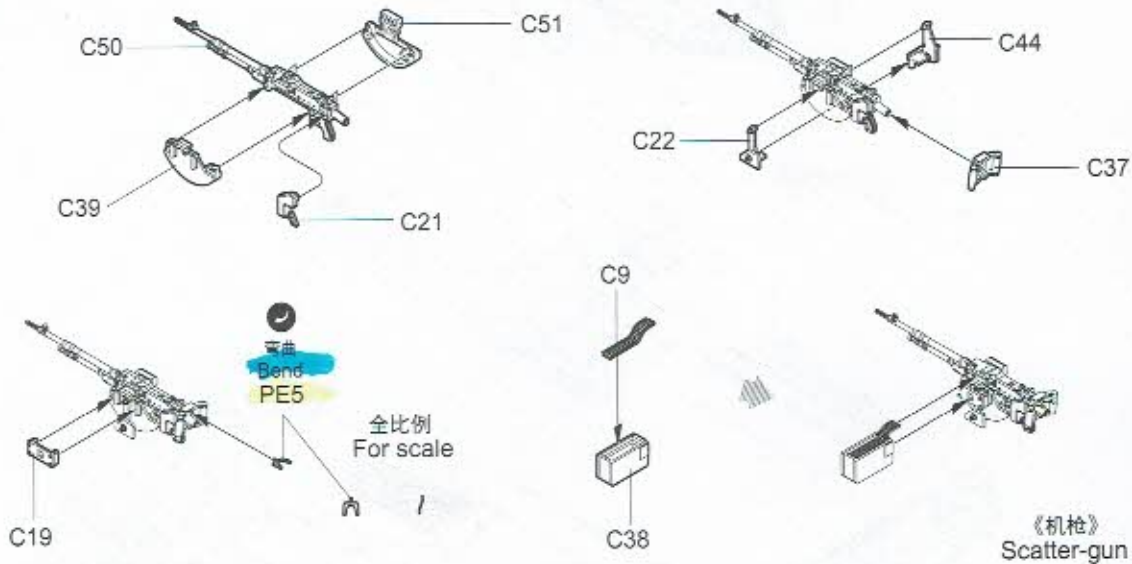




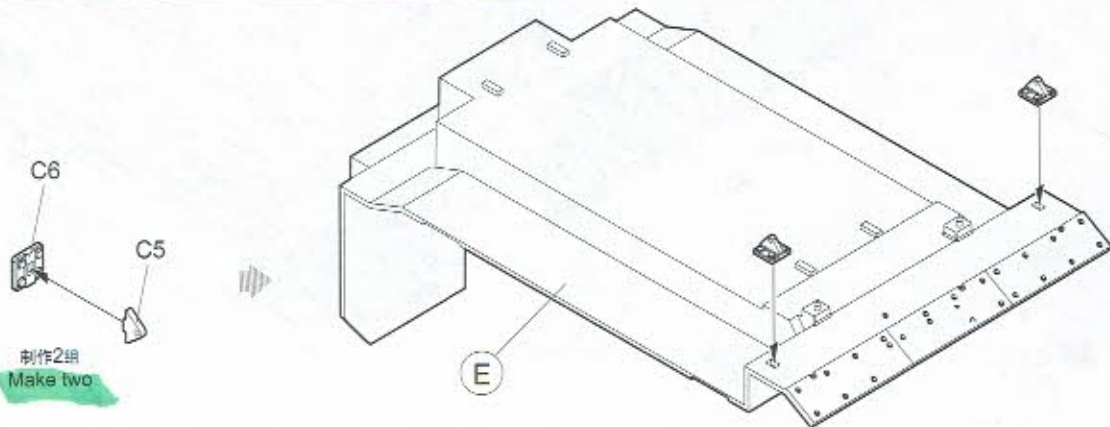
21



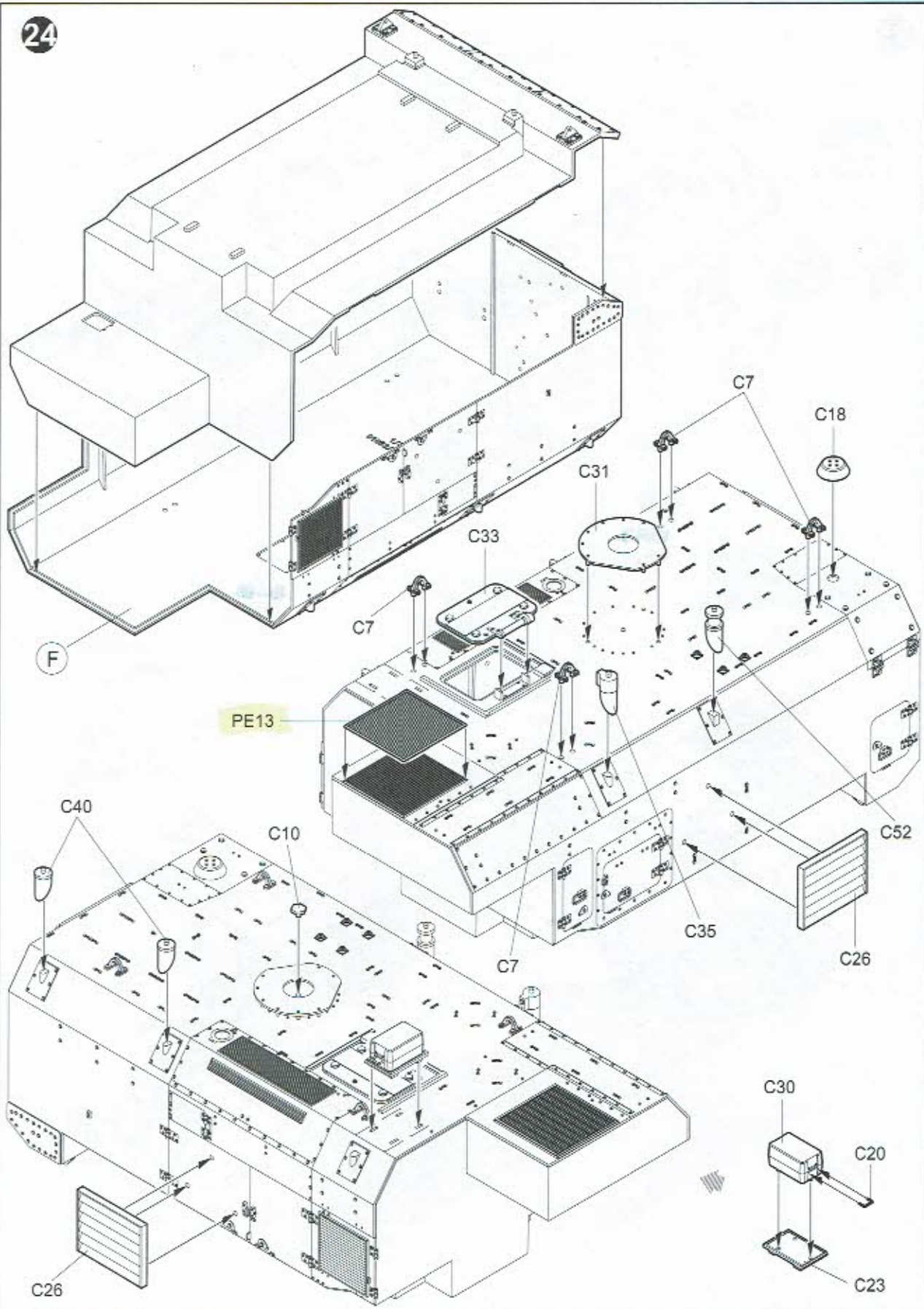
22



23

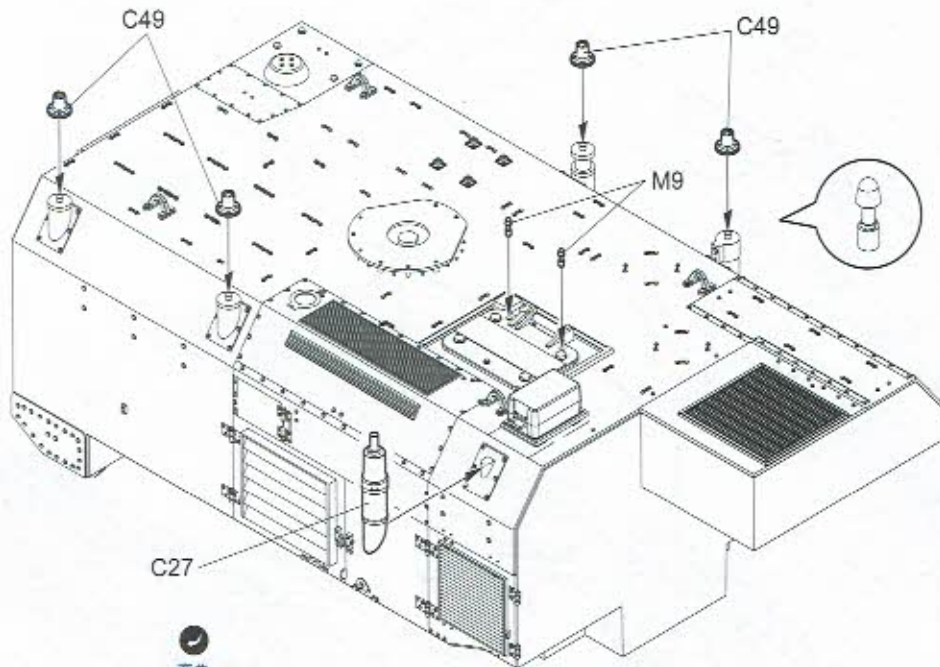


24



01063

19

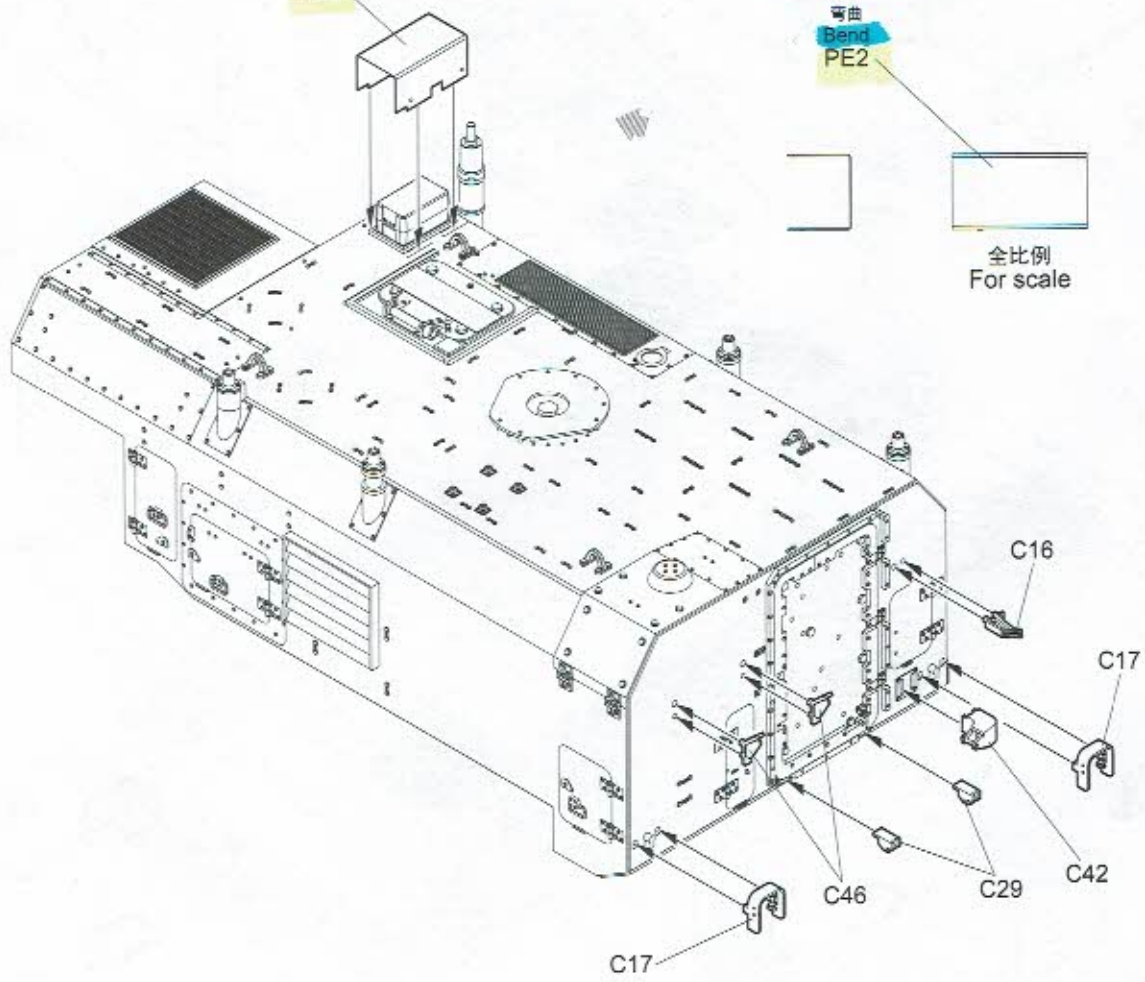


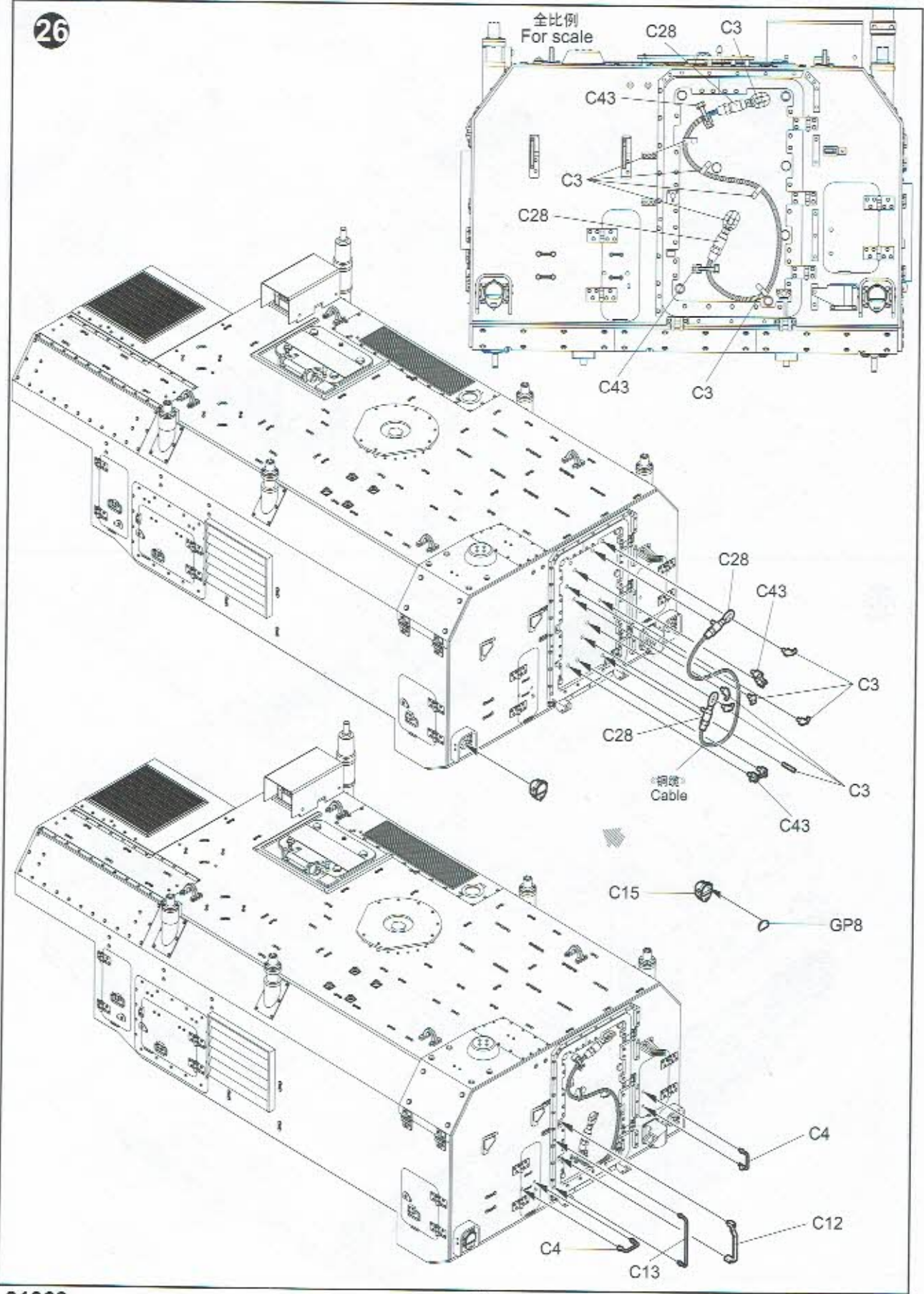
可曲
Bend
PE2

可曲
Bend
PE2

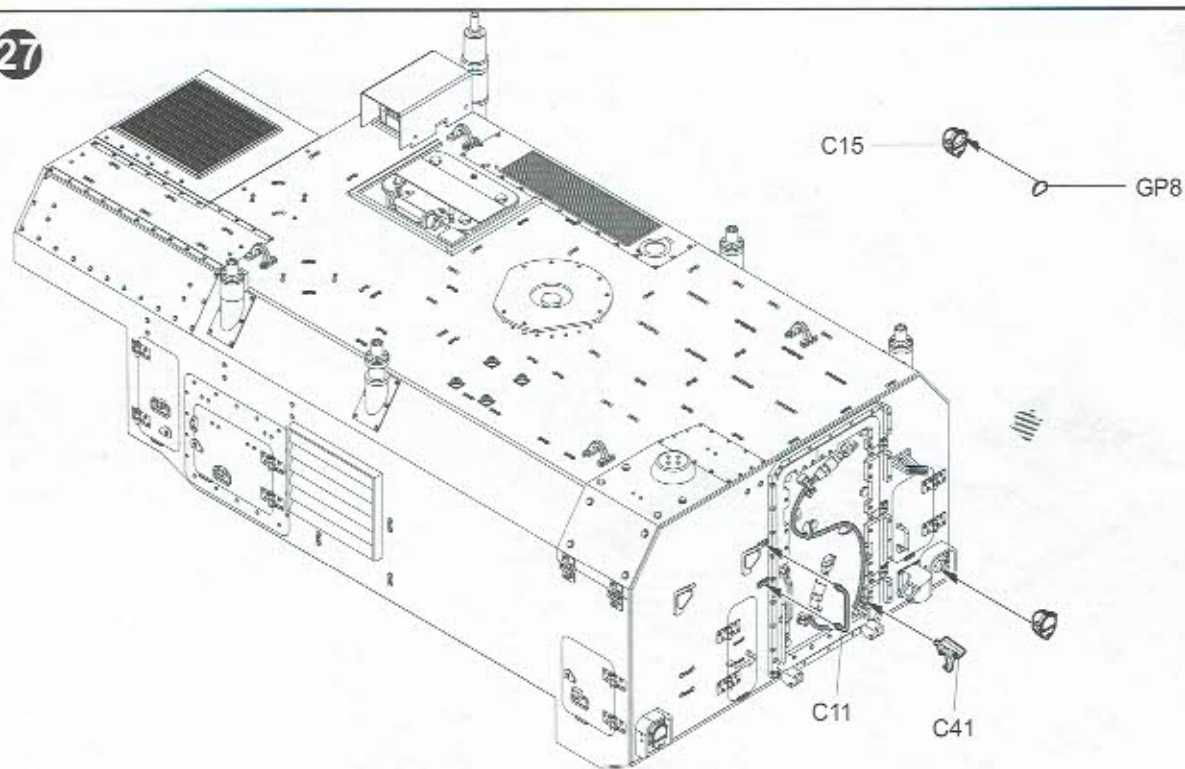


全比例
For scale

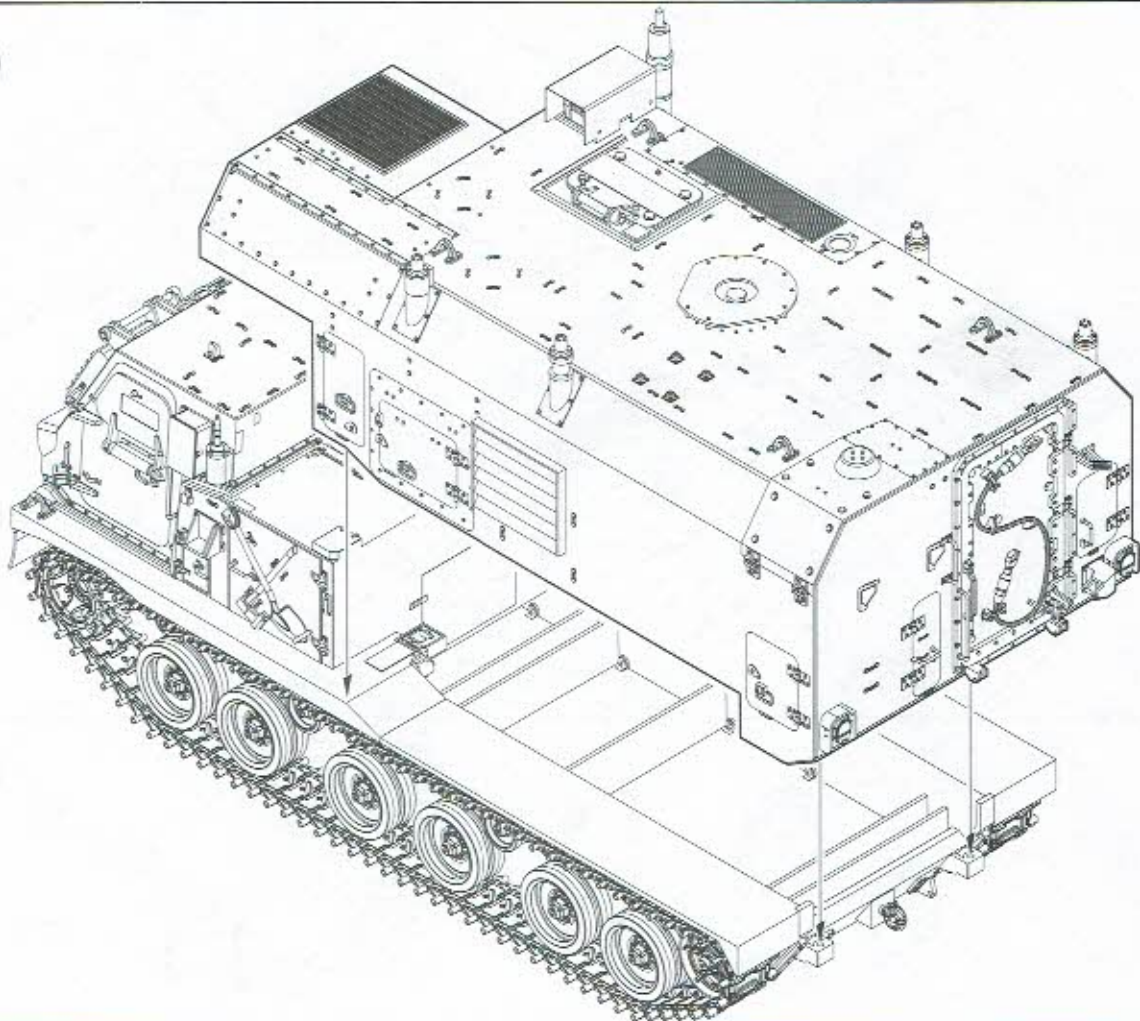


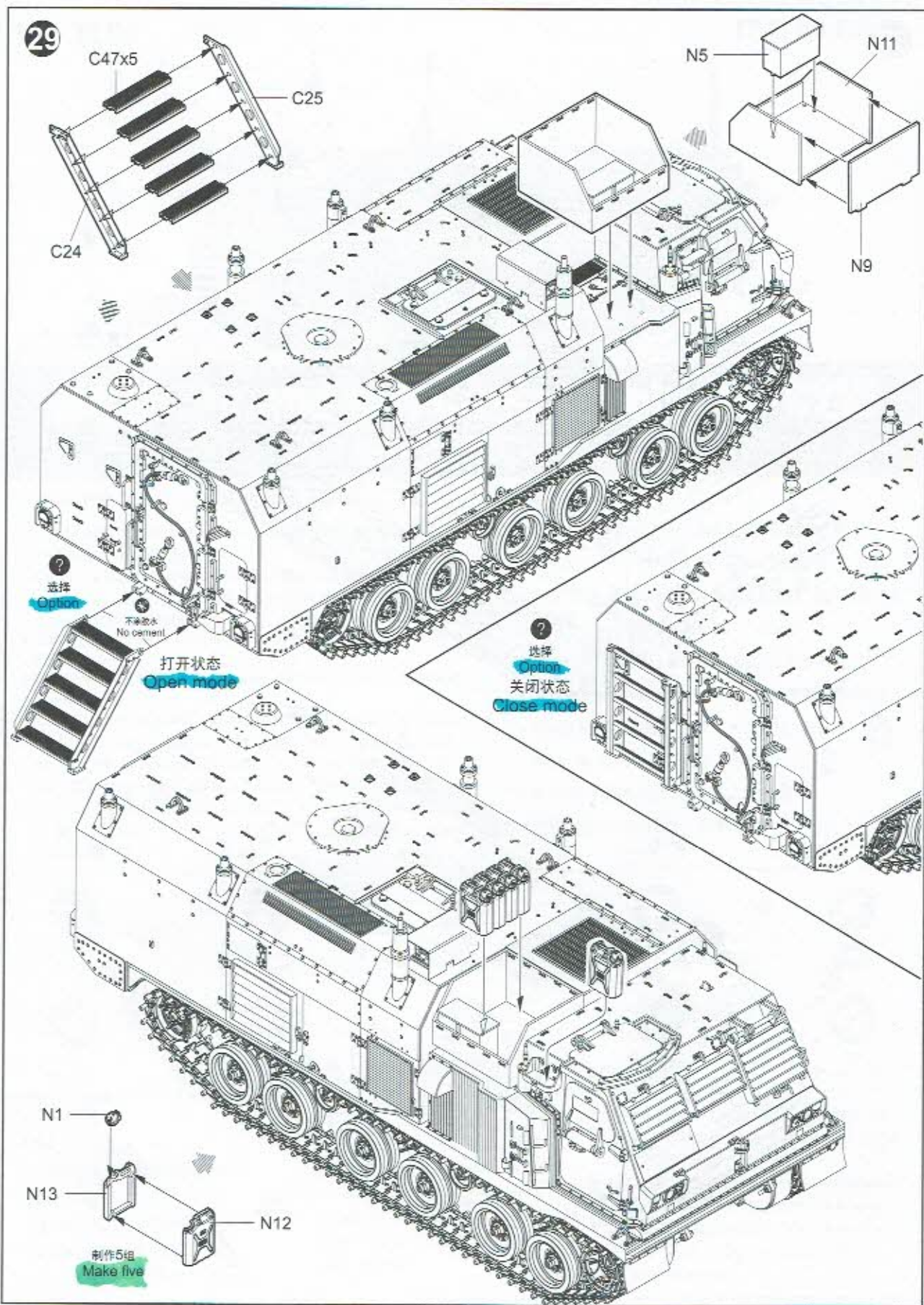


27

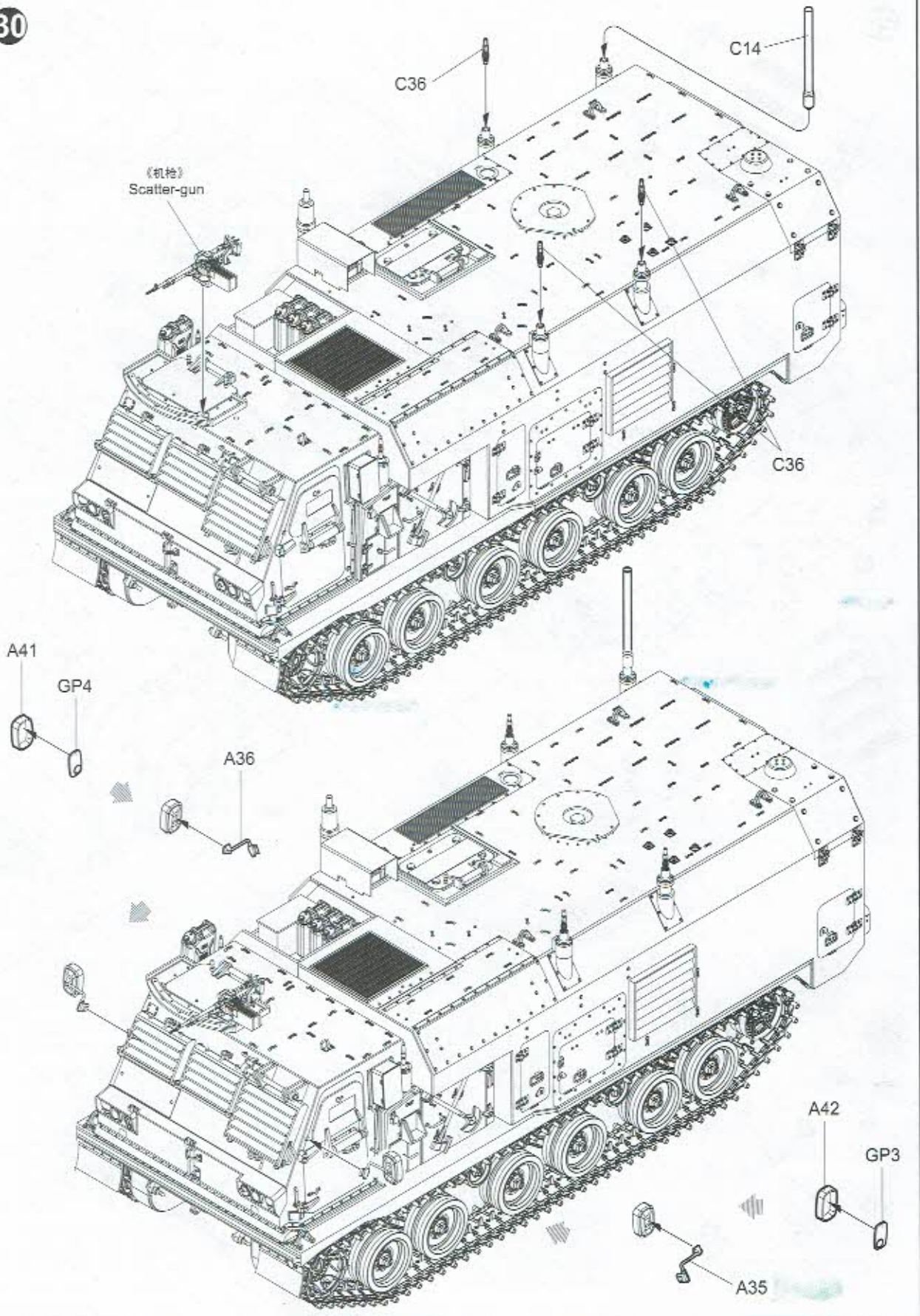


28





30



01063

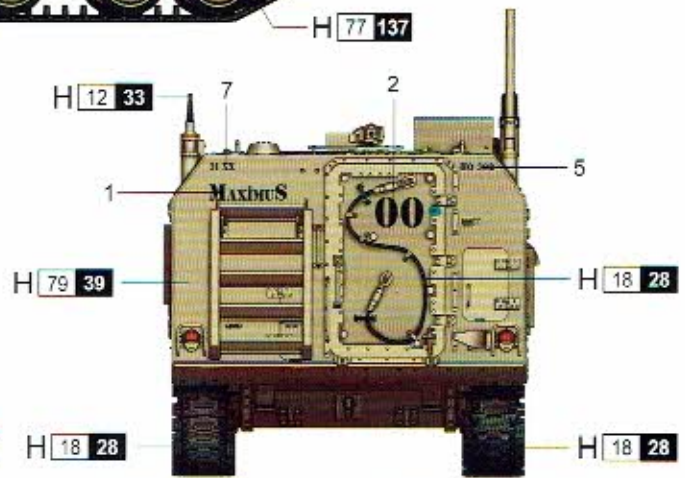
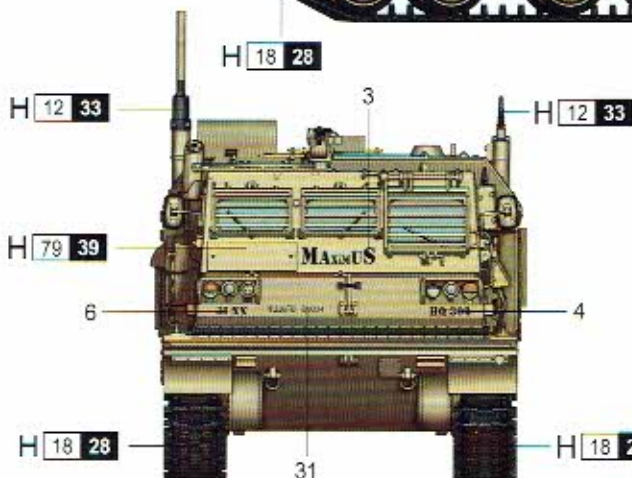
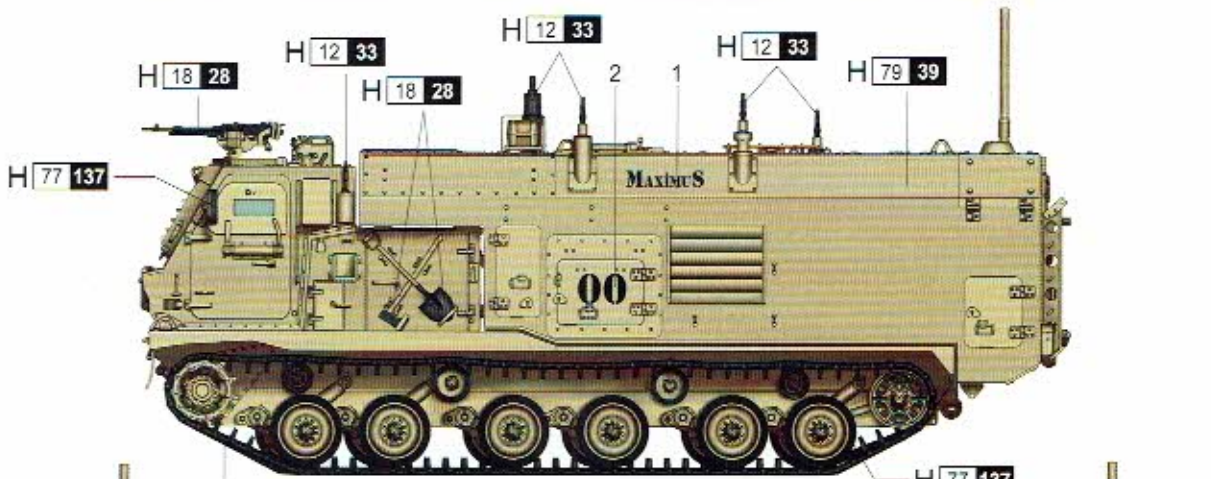
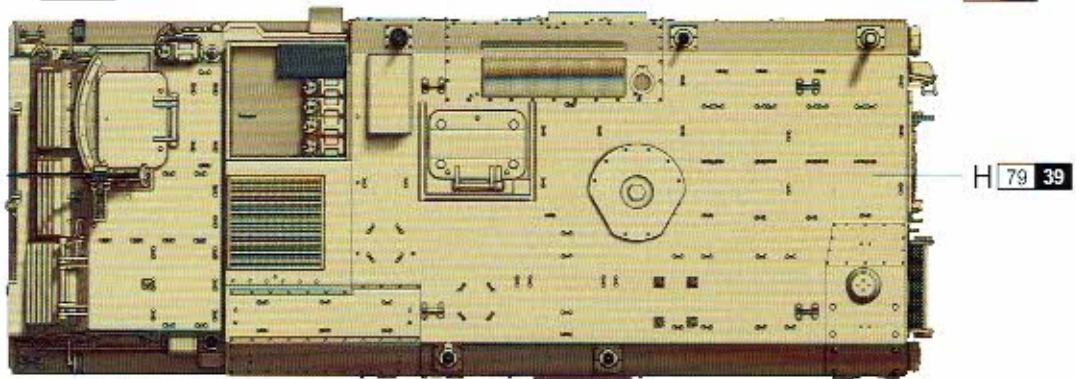
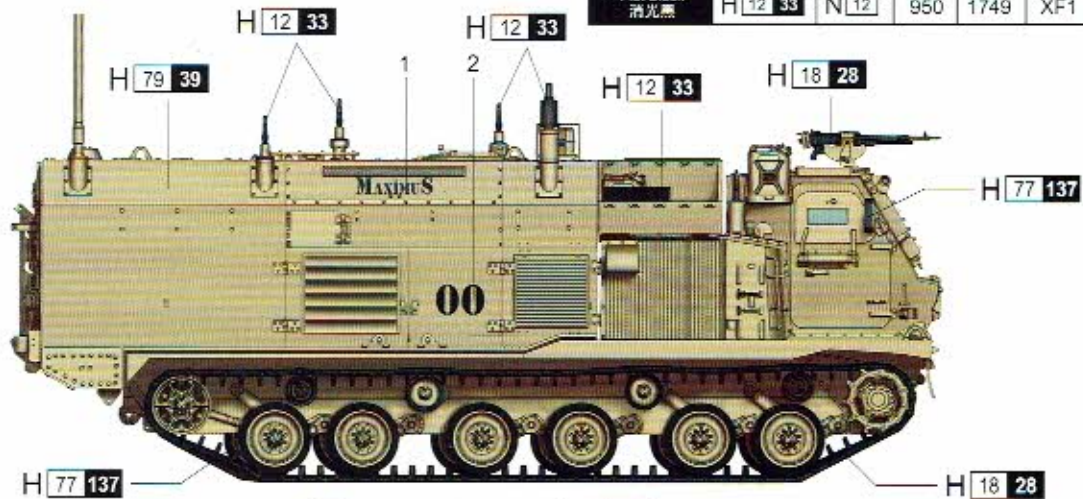
24

涂装同标贴指示

Painting & Marking guide

PAINT REFERENCE COLOR

Color	Mr.Hobby	Acrycion	Vallejo	Model Master	Tamiya	Humbrol
Wood Brown 砂黄色	H 79 39	N 79	824	-	XF59	83
Tire Black 胎黑色	H 77 137	N 77	-	-	-	-
Steel 黑灰色	H 18 28	N 18	884	1402	-	-
Flat Black 消光黑	H 12 33	N 12	950	1749	XF1	33



H AQUEOUS HOBBY COLOR Mr. COLOR N ACRYSION COLOR