

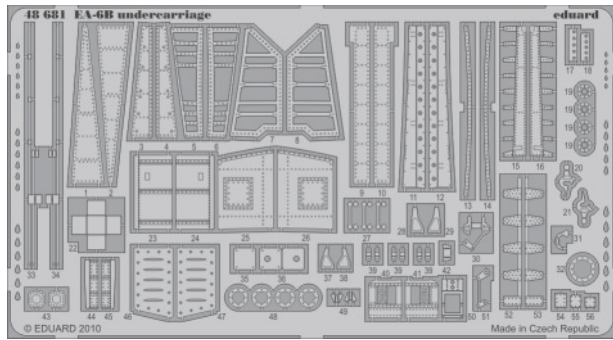


EA-6B undercarriage

eduard

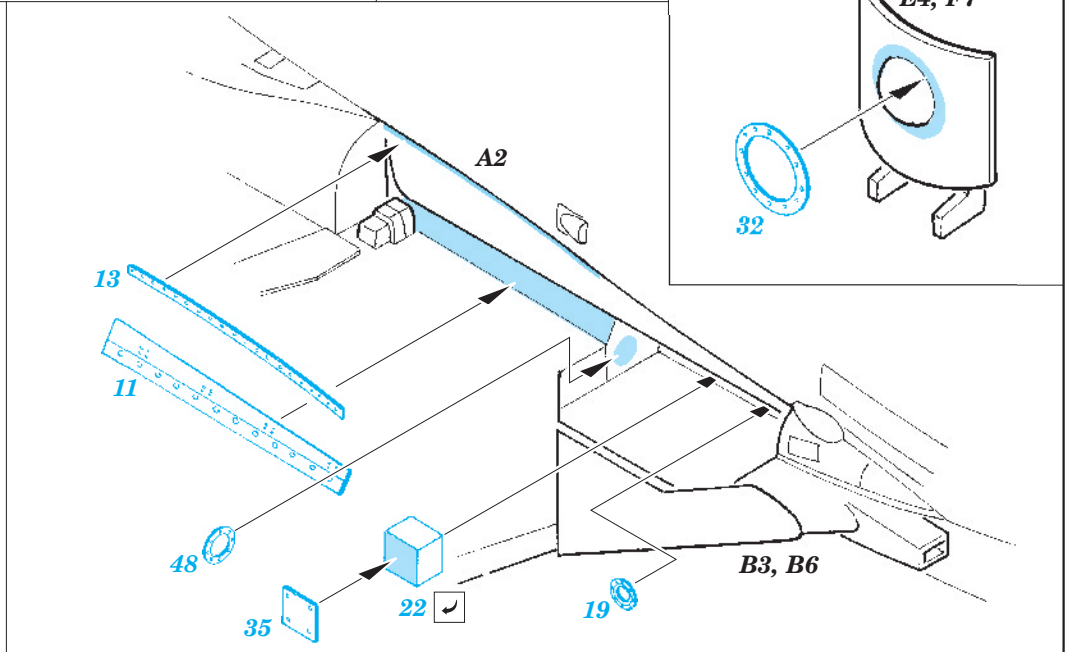
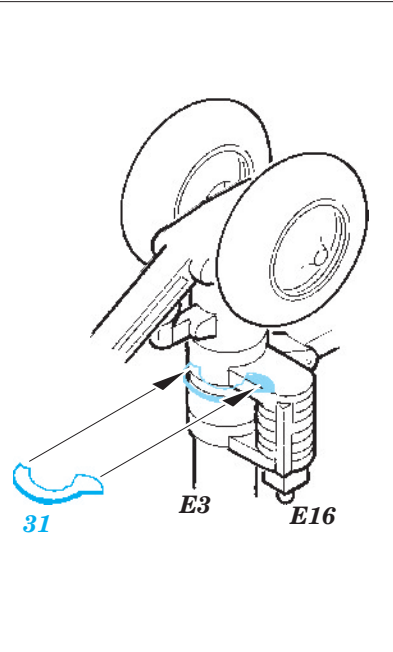
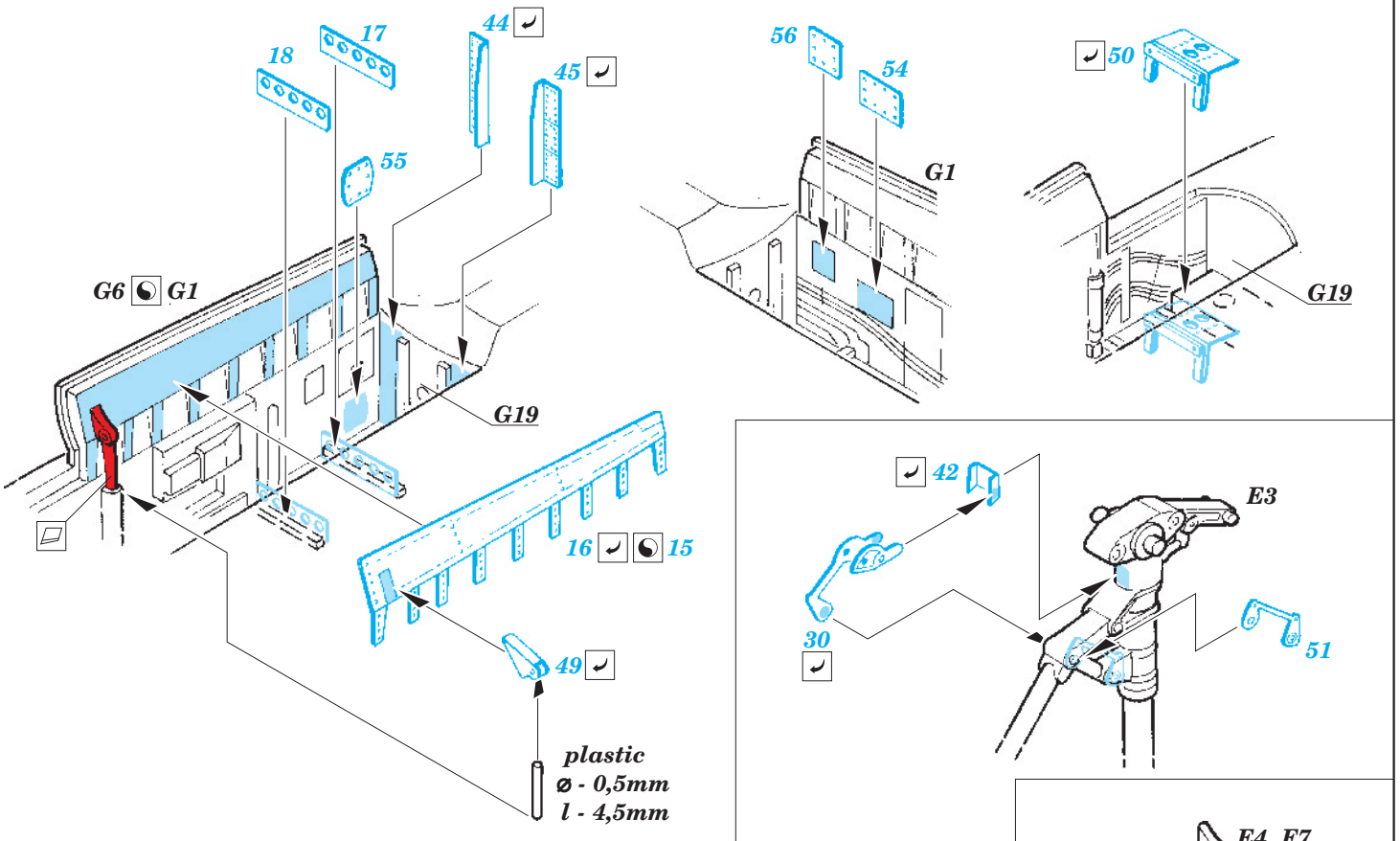
48 681

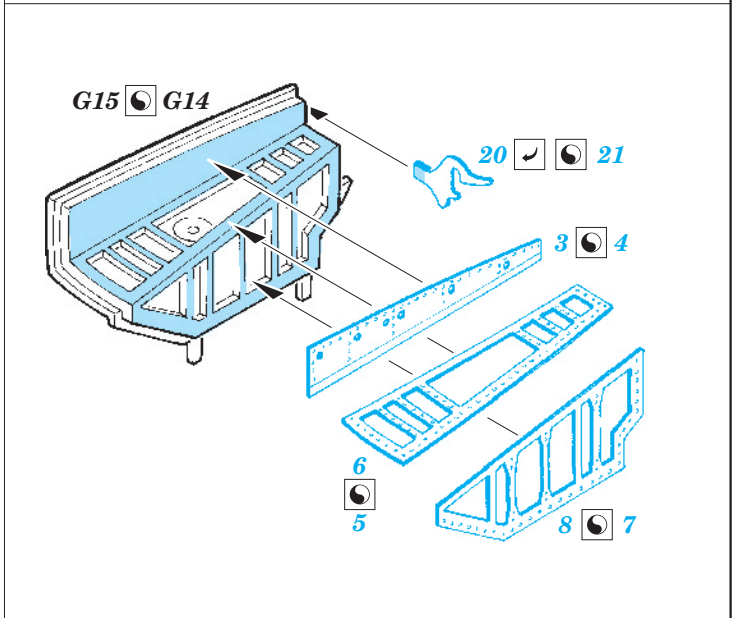
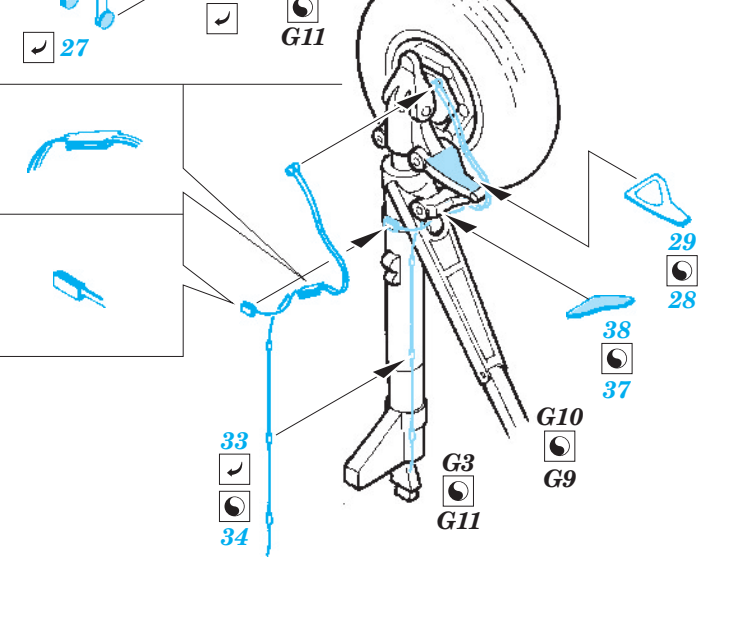
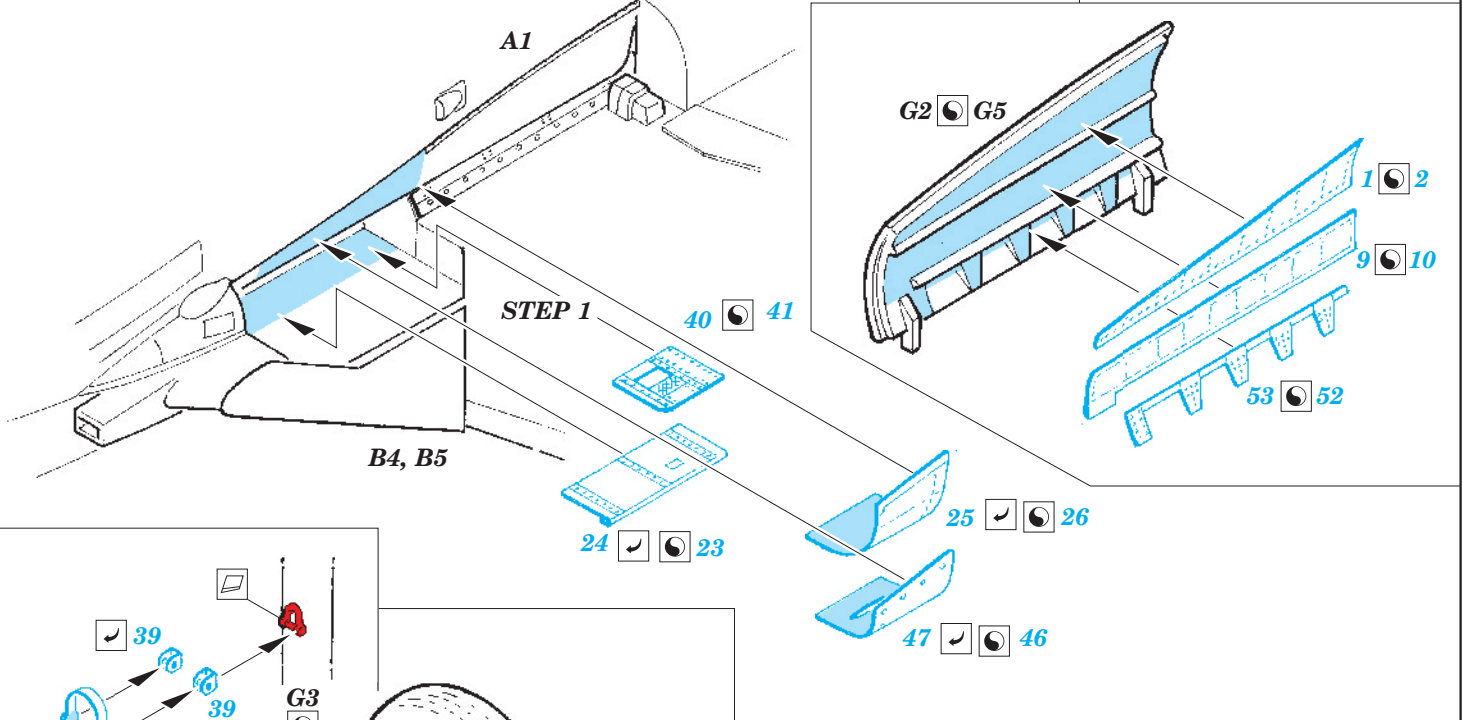
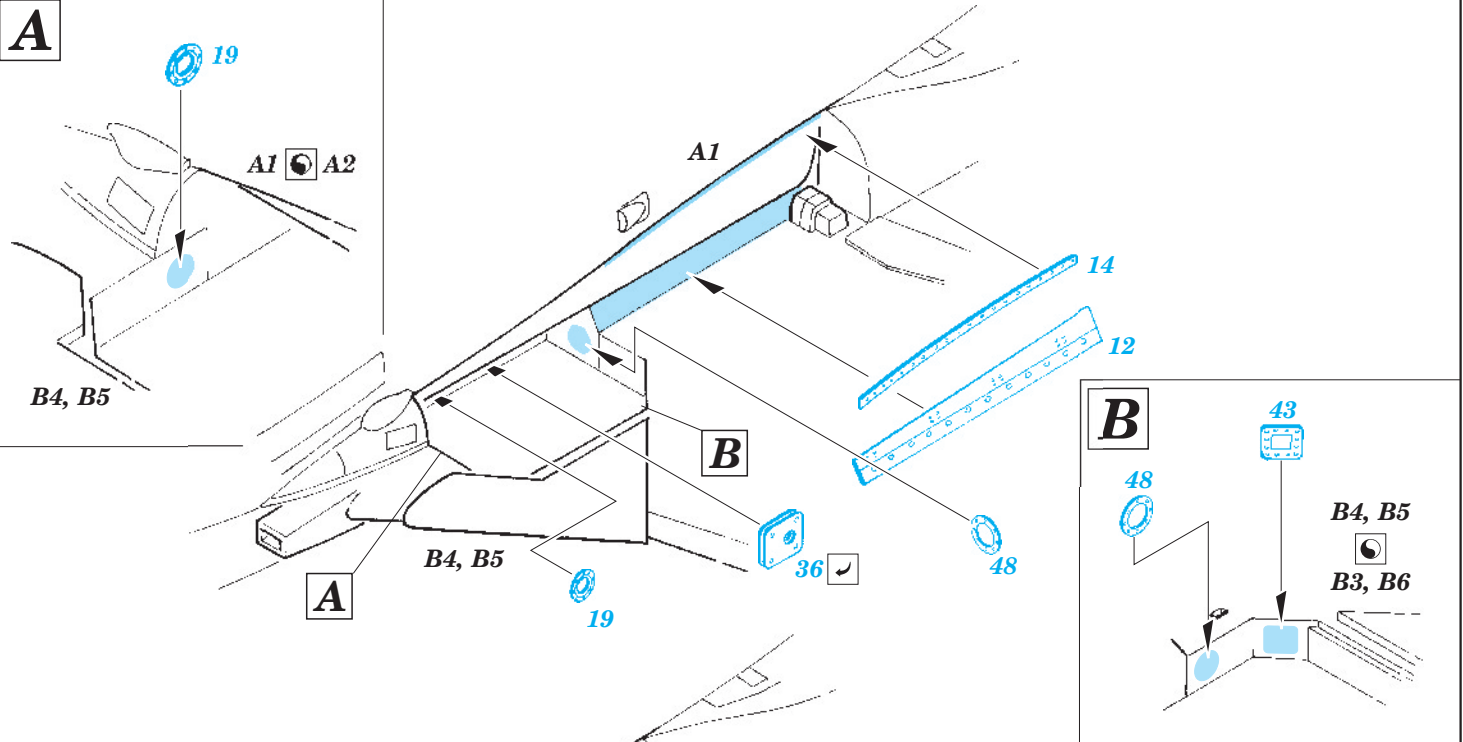
1/48 scale detail set for Kinetic kit • sada detailů pro model 1/48 Kinetic



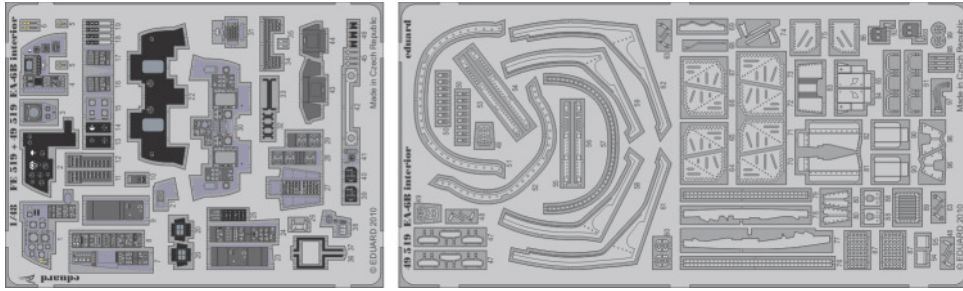
- APPLY EXPRESS MASK AND PAINT BEFORE GLUING
POUŽIT EXPRESS MASK NABARVIT PŘED SLEPENÍM
- SYMMETRICAL ASSEMBLY
SYMETRICKÁ MONTÁŽ
- REMOVE
ODSTRANIT
- GRIND
OBROUSIT
- DRILL HOLE
VRTAT OTVOR
- BEND
OHNOUT
- OPTION
VOLBA
- REPLACE
NAHRADIT

ORIGINAL KIT PARTS
PŮVODNÍ DÍLY STAVEBNICE
 PHOTO-ETCHED PARTS
LEPTANÉ DÍLY
 PARTS TO BE REMOVED
DÍLY K ODSTRANĚNÍ
 FILL
TMELIT

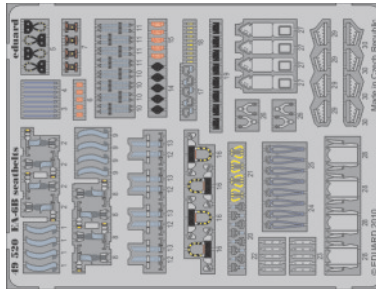




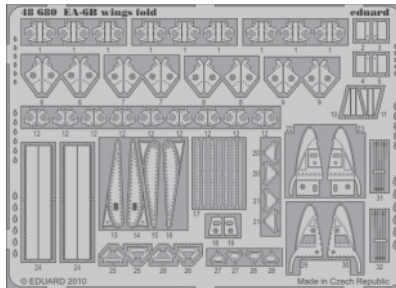
*For further detail sets look for **eduard** 49 519 EA-6B interior S.A.
(not included in this set)*



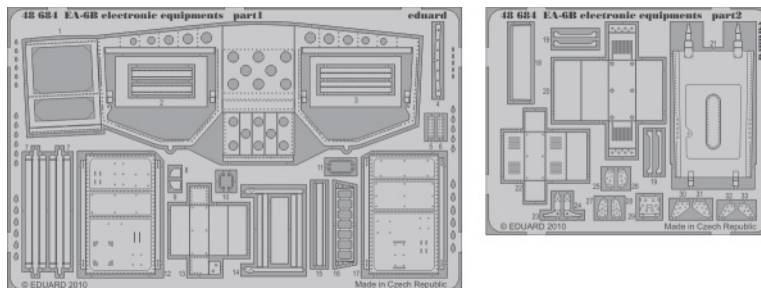
*For further detail sets look for **eduard** 49 520 EA-6B seatbelts
(not included in this set)*



*For further detail sets look for **eduard** 48 680 EA-6B wing fold
(not included in this set)*



*For further detail sets look for **eduard** 49 036 EA-6B electronic equipments
(not included in this set)*



*For further detail sets look for **eduard** 48 672 EA-6B exterior
(not included in this set)*

