

Blue Thunder Helicopter "兰色霹雳" 直升机

"Blue Thunder" Helicopter is from the 80's famous US movie which called <<Blue Thunder>>. It was the most lethal flying weapon invented. The whole fuselage is heavily protected with 1" thick armoured plates. It equipped with a forward-mounted 20mm electric cannon which can fire 4000 round of ammunition per minute. It has jet turbine engine with boost capability, enabling 360 degree loops; heat sensing infra-red filter for night version; "Whisper Mode" for silent flights; three TV-monitors; twin long-range, high sensitivity shotgun microphones; a Harrison helmet-mounted fire control/targeting system etc... Blue Thunder is the true "star" in the movie.

蓝色霹雳号是美国故事片《蓝色霹雳》剧情中虚构的超级飞机，火力可以轰掉半个城市。机身是由1"厚的钢板所做成，装置了每分钟可发射4000发子弹的20mm电子火炮，和作360度的翻斗飞行；它的先进装置还包括：红外热能夜视镜，连墙壁都可看穿；静音飞行，神出鬼没；三部监察电视和头盔也装有控制发火/瞄准目标的系统，蓝色霹雳号超级直升机是电影中的真正明星，灵魂所在。



Attention-Useful Advice

1. Study the instructions carefully prior to assembly.
2. Check the fitness of each part before assembling.
3. Remove parts from frame with a sharp knife or a pair of scissors and trim away excess plastic. Be careful, do not break off any plastic parts.
4. Don't pull off the parts from frame.
5. Use plastic cement only and use cement sparingly to avoid damaging the model.
6. Paint small parts before detaching them from frame.
7. Remove paint where parts are to be cement.
8. Parts with shadows are not used for this model.

CAUTION

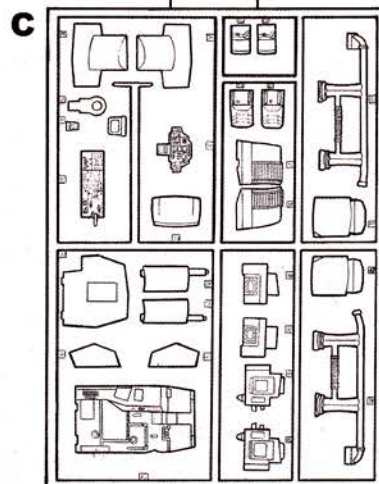
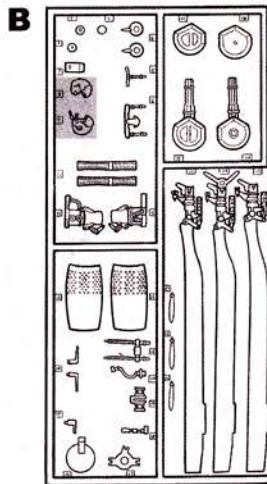
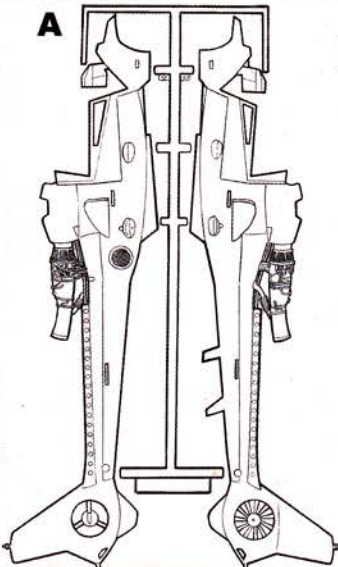
1. Before you start assembly, you should read all the instructions carefully.
2. Please have all the necessary tools ready before start assembling.
3. The removed plastic parts have sharp, pointed or jagged edges. Remove these with a file or sandpaper.
4. Do not use glue or paint near open flame. Keep the window open.
5. Plastic bags can be dangerous. To avoid danger of suffocation, keep this bag away from babies and children.
6. Keep out of the reach of children under 36 months old, as some parts are detachable. Children must not be allowed to suck any parts with this kits.
7. Please keep this instructions for future reference because it contains important information.

注意: 拼装技巧提议

1. 拼装之前请小心阅读说明书。
2. 拼装之前请检查每部份零件是否吻合。
3. 请用小切刀或模型剪从注塑件中剪去多余的胶片，请小心，勿剪断塑胶零件。
4. 切勿从塑胶片中拉断零件。
5. 请使用模型专用胶水粘合，小心使用胶水以免损坏模型。
6. 请先替小零件涂上颜色，然后将小零件从塑胶片中取出。
7. 请刮去零件要粘合处的油漆。
8. 阴影部分的零件不是作为装配此模型之用。

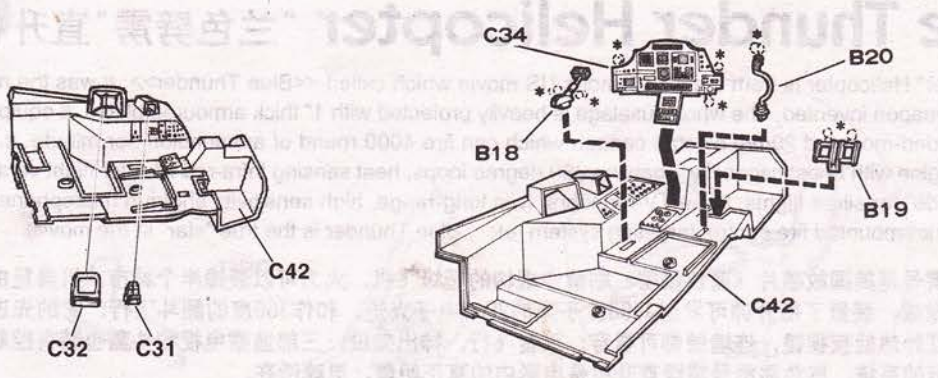
小心:

1. 请在拼装之前，小心阅读所有说明书。
2. 请在拼装之前，准备好所需工具。
3. 移去的塑胶零件会有尖锐的锯齿状的边缘，请用小挫子或沙纸磨掉。
4. 切勿在火旁使用胶水或油漆，应保持窗户通风。
5. 胶袋可以造成危险，为避免窒息，请勿让婴儿及小孩接触此胶袋。
6. 由于部分零件是可以分开的，切勿让3岁以下小孩接触。禁止让此模型的零件让小孩含入口中。
7. 请保留此说明书作为将来参考之用，因为此说明书包含重要资料。

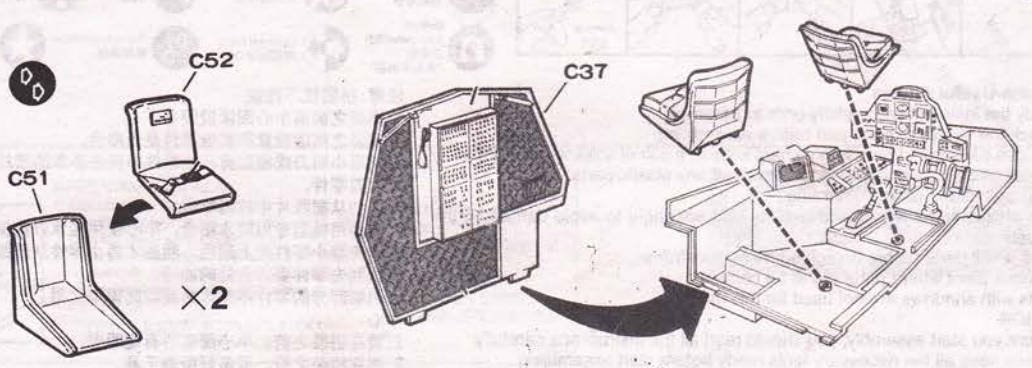


Parts not for use
阴影部分是多余的组件

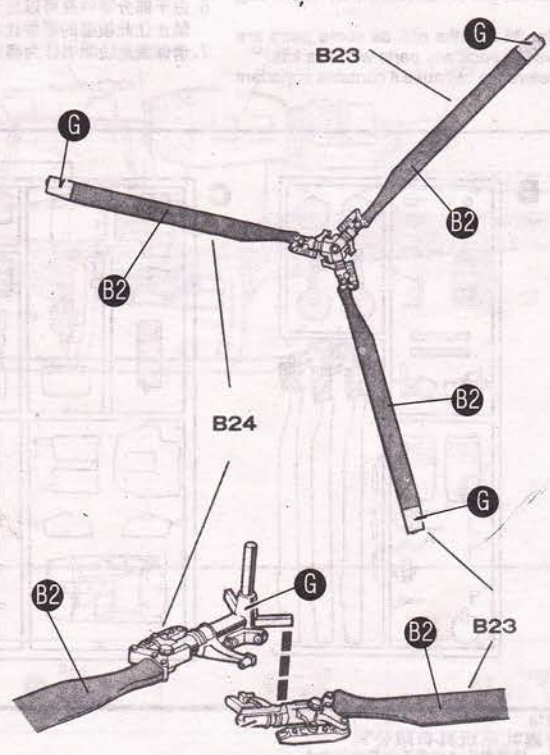
1



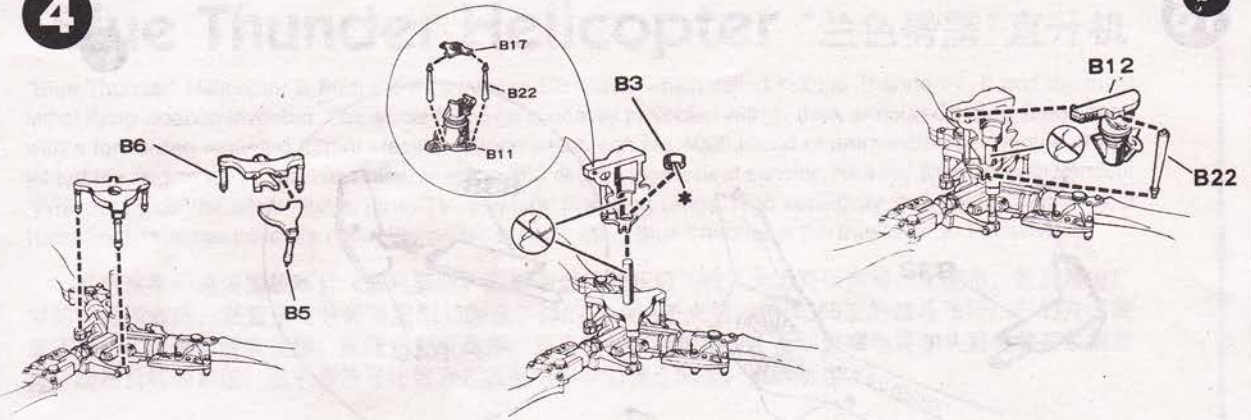
2



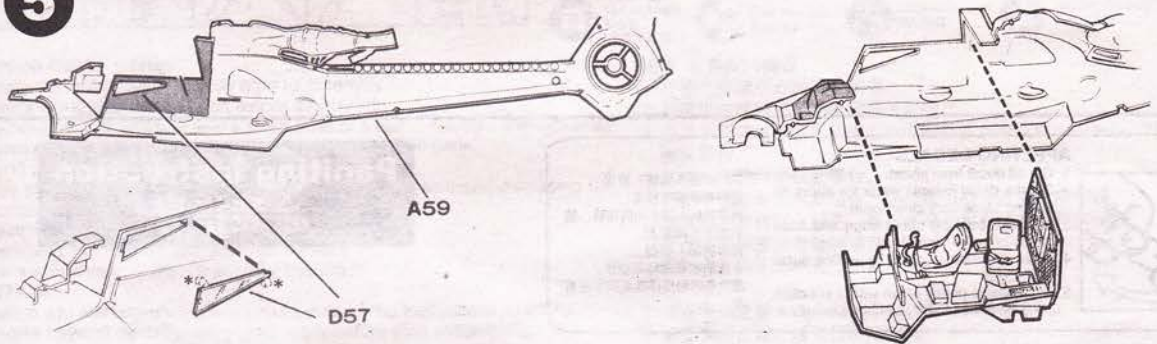
3



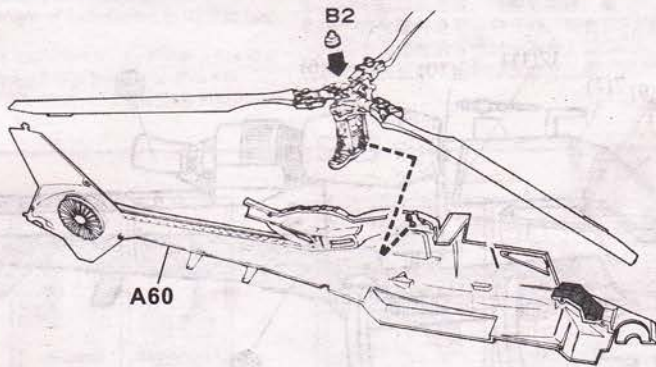
4



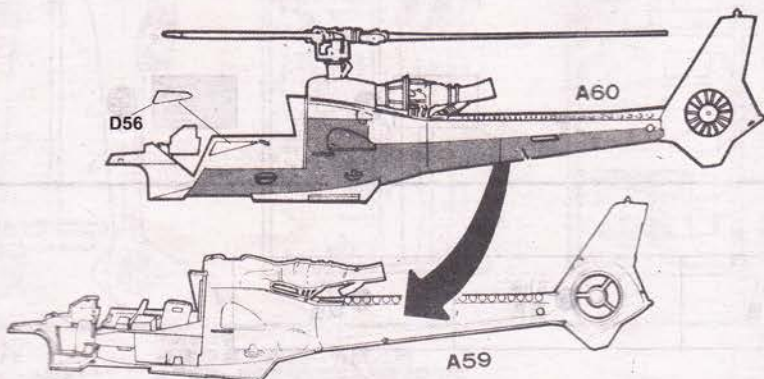
5



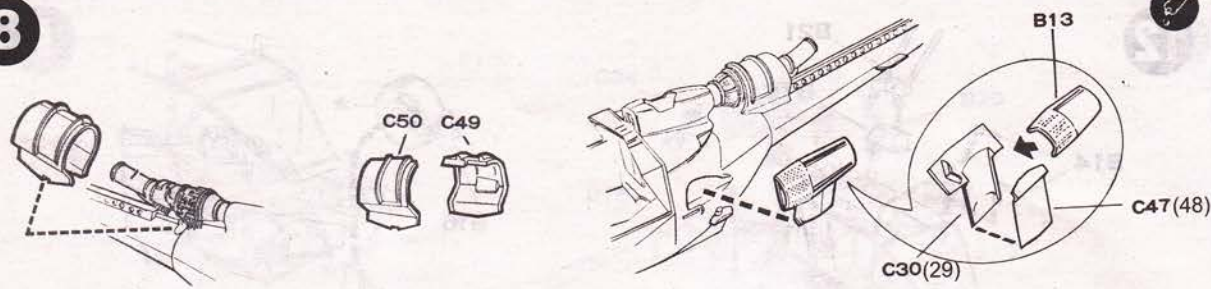
6



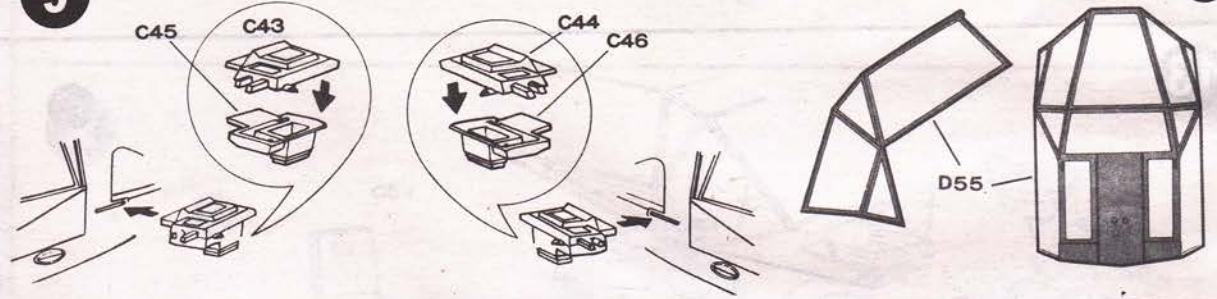
7



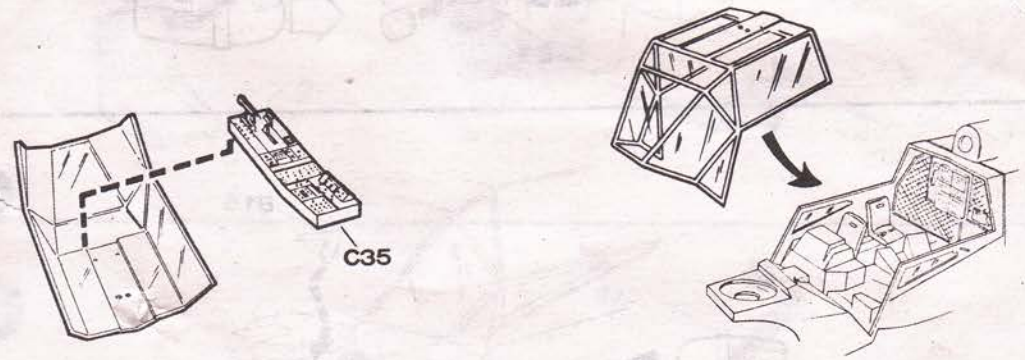
8



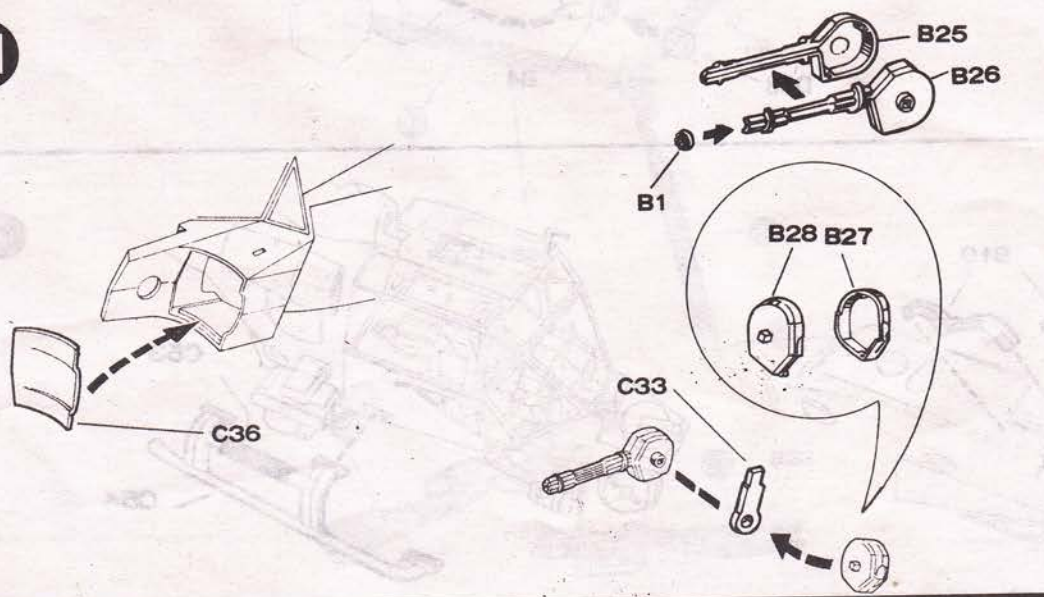
9



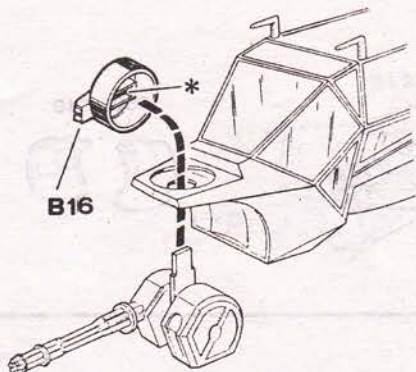
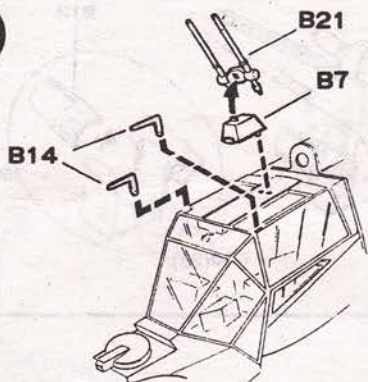
10



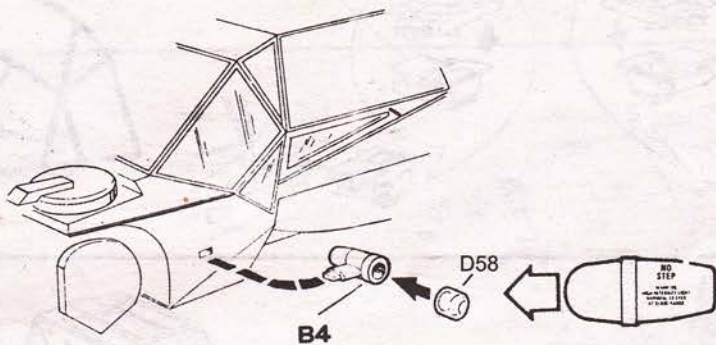
11



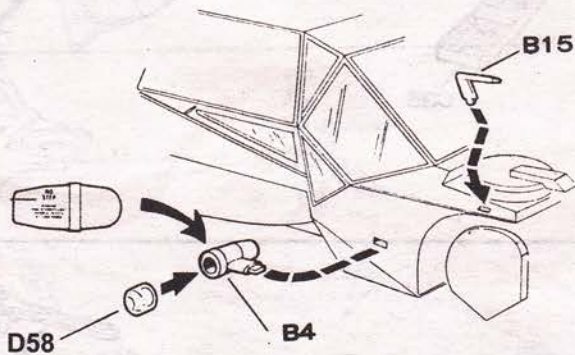
12



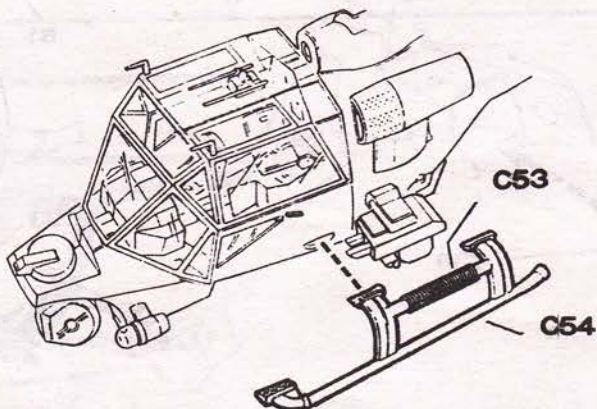
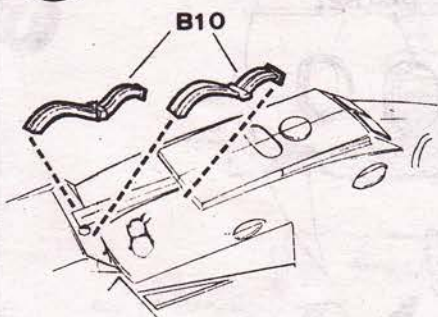
13



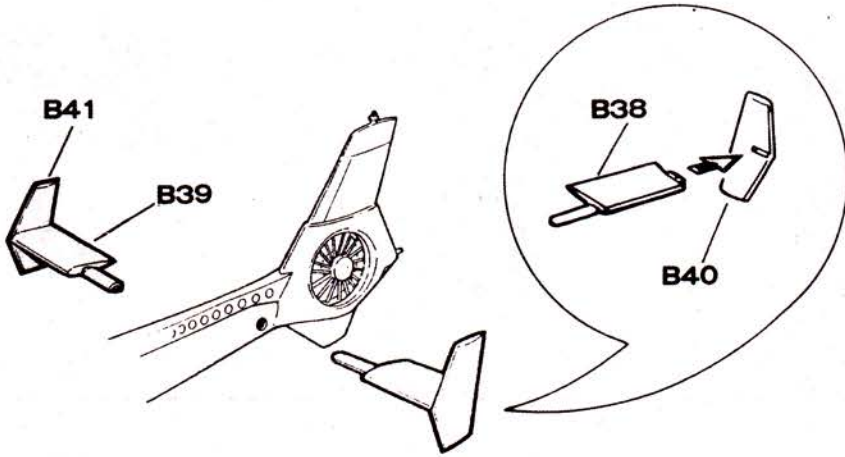
14



15



16

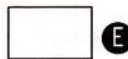
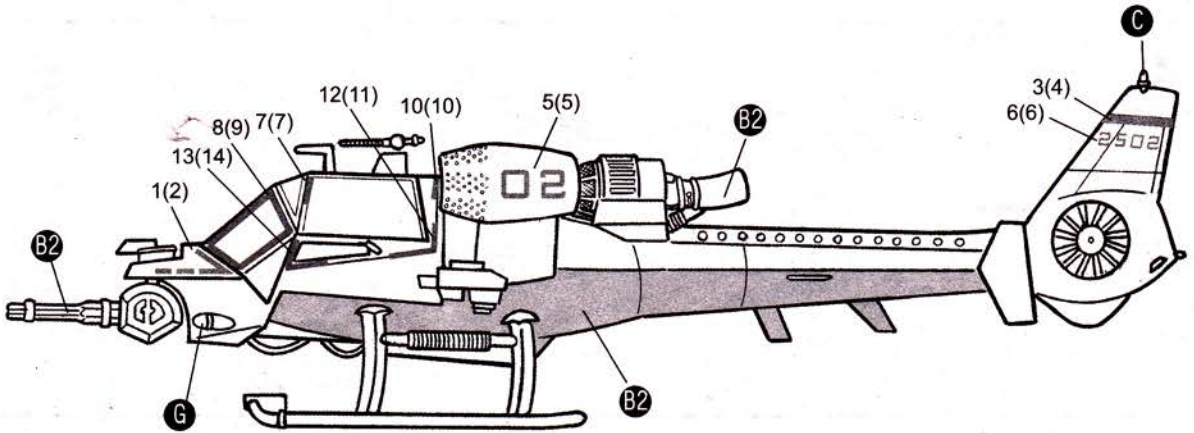


APPLYING DECALS

1. Cut off decal from sheet.
2. Dip the decal in tepid water for about 10 second place on a clean cloth.
3. Hold the backing sheet edge and slide decal onto the model.
4. Move decal into position by wetting decal with finger.
5. Press decal gently down with a sof cloth until excess water and air bubbles are gone.

印花(印花水贴纸)应用
 由印花纸剪下印花。
 将印花放入温水中约10秒, 然后放于干净布上。
 将印花移入模型上。
 手指沾水移放印花到位。
 用软布轻轻压印花直到水泡消失。

**Painting instruction
 涂装指导**



Colour Index Table 颜色指示

<p>B2 Flat Black 亚黑色</p>	<p>C Red 红色</p>	<p>E Blue 蓝色</p>	<p>G Silver 银色</p>
-------------------------------------	----------------------------	-----------------------------	-------------------------------