

ACADEMY

HOBBY MODEL KITS

1/35th SCALE
M163A1/2 VULCAN SPAAG
(Self Propelled Anti Aircraft Gun)



SPECIFICATIONS

Chassis: M113 with add-on buoyancy panels attached to glacis plate and sides

Crew: Four men **Armament:** 1-Six barrel 20mm M61A1 Vulcan cannon

Ammunition: 2,280 rounds 20mm cannon shells

Rate of Fire: 1,000 or 3,000 rounds per minute (gunner selected)

Traverse: 360 degrees **Elevation:** -5 degrees to +80 degrees

Fire Control System: US Navy MK 20 Model 0 lead-computing sight
and range only radar

Combat weight: 12,310 Kg **Length:** 4.86 meters **Width:** 2.85 meters

Ground clearance: 41 meters **Maximum road speed:** 67 km/hr

Maximum water speed: 5.5 km/hr **Range:** 485 Km **Fording:** Amphibious

Cement Parts
 Kleben
 Kleben
 Pagar
 Incollare
 Collar
 Kleven



DO NOT cement
 Ne pas coller
 Nicht kleben
 No pegar
 Non recollare
 Não colar
 Niet kleven



Cut away
 Couper
 Schneiden
 Cortar
 Tagliare
 Cortar
 Snijden



Optional parts
 Chox
 Auswahlmöglichkeit
 Eleccion
 Scelta
 Opcao
 Keuze



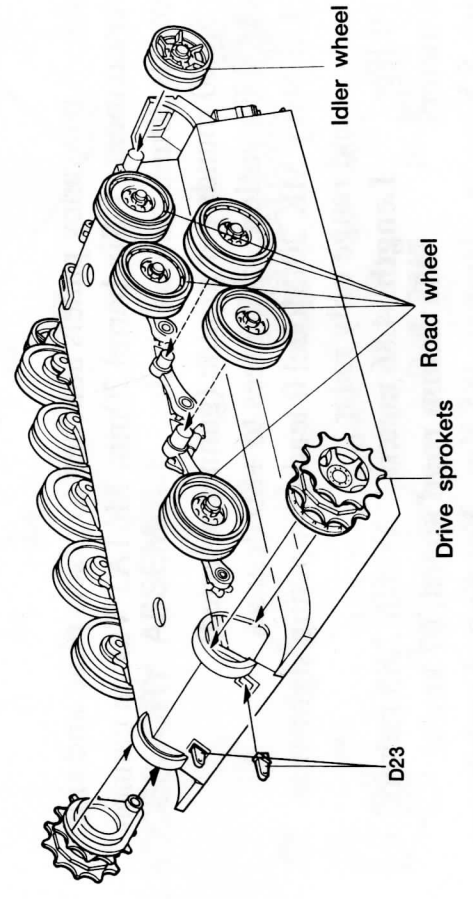
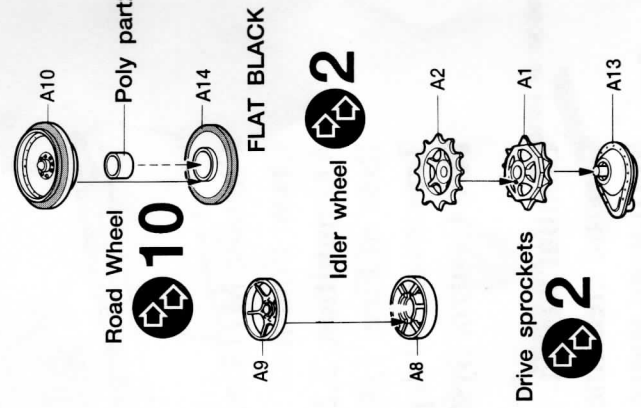
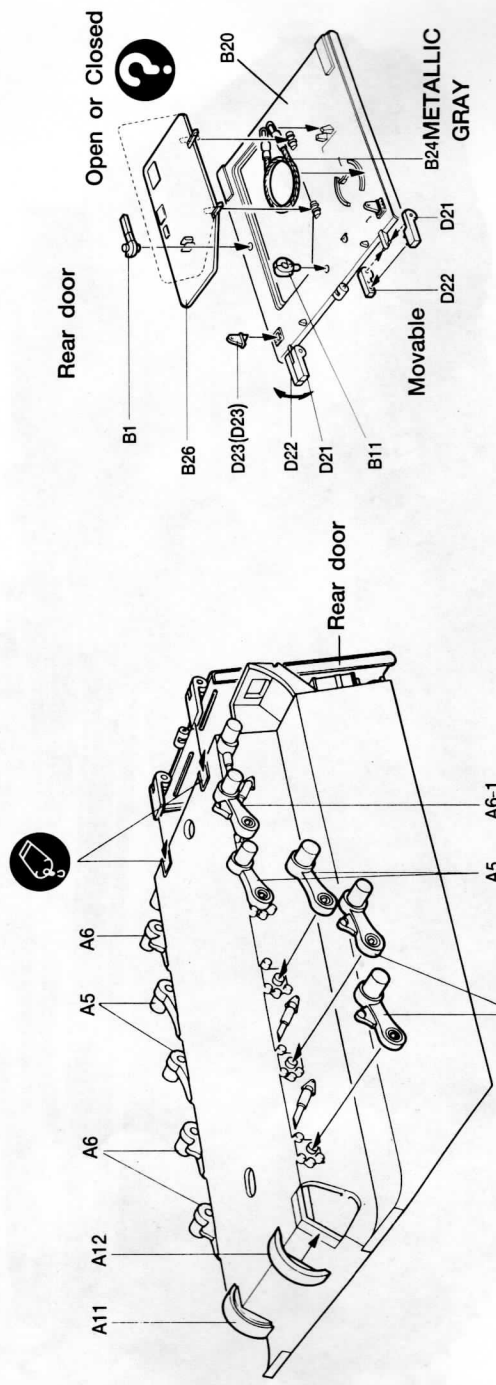
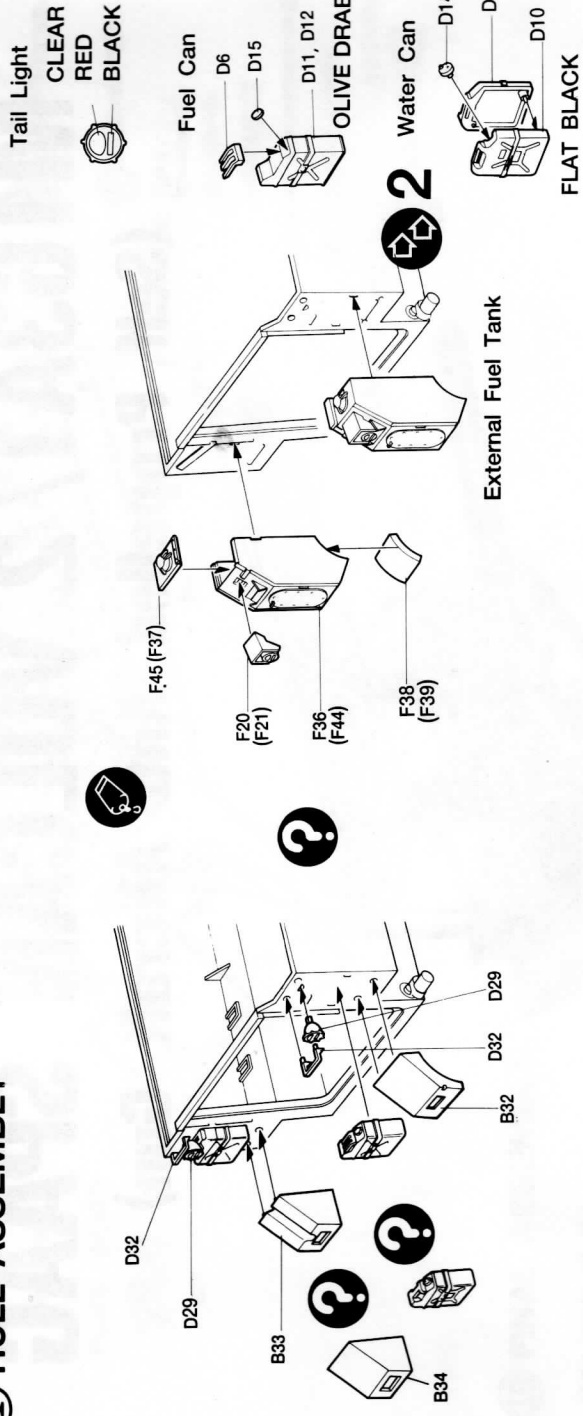
Repeat operation
 Répéter l'opération
 Vorgang wiederholen
 Repetir la operación
 Ripetere
 Repetir a operação
 Herhalen



ACADEMY
 HOBBY MODEL KITS

1 HULL ASSEMBLY

() = Part number for opposite side



2 TREAD ASSEMBLY

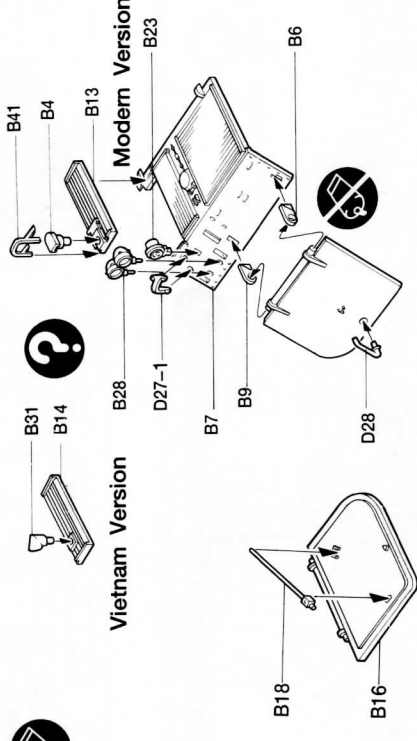


1. Lightly cement the tread blocks together with Solvent type glue, Not Cyanoacrylate type. Each tread uses 60 blocks. Note: Sets of 6 to 10 blocks are easier to handle than complete treads of 60.

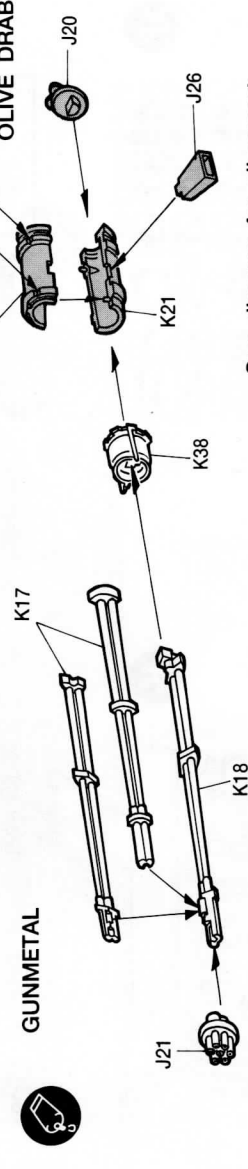
2. Line up the edge of the blocks against a straightedge as shown.

3. Before the cement completely dries, roll the treads around the drive sprockets and idler wheels.
 4. Cement the loose ends together and set the hull on a flat surface and put "slack" into the treads that are on top of the road wheels. When satisfied with position, allow the cement to completely dry before handling.

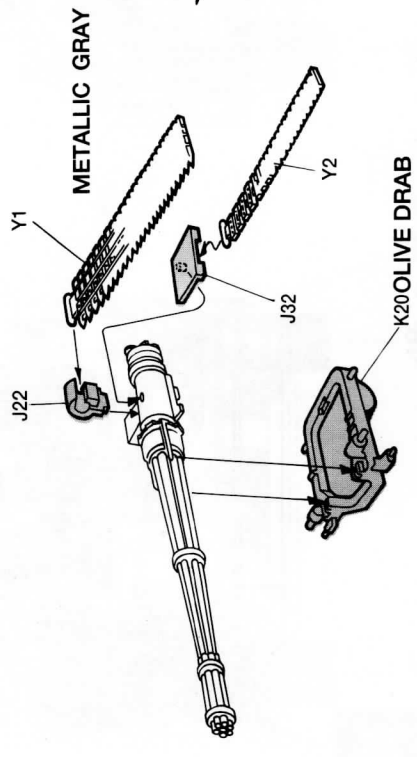
3 ENGINE COVER ASSEMBLY



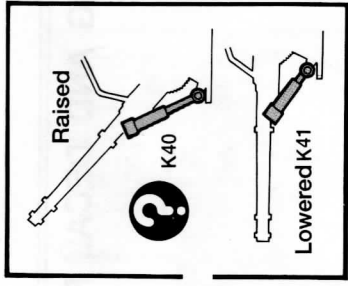
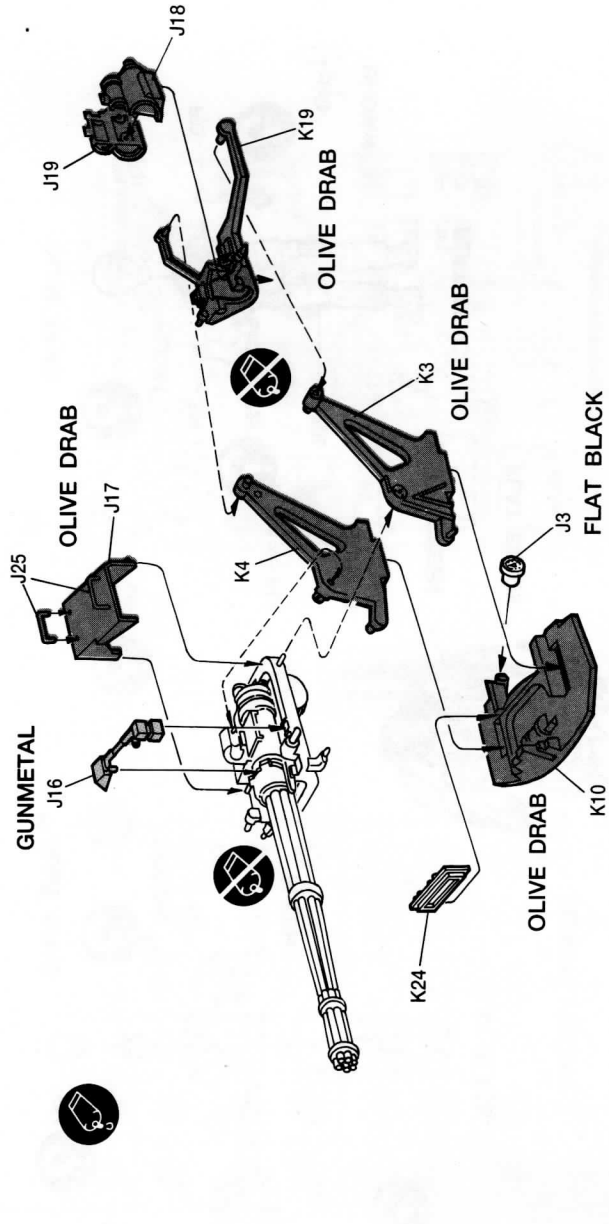
4 GUN ASSEMBLY I



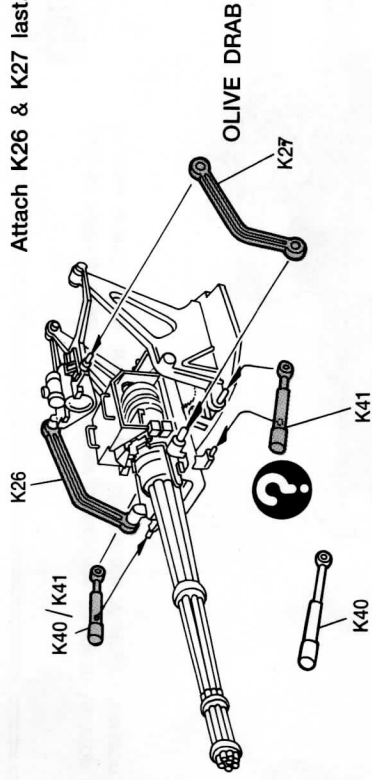
See diagram for alignment



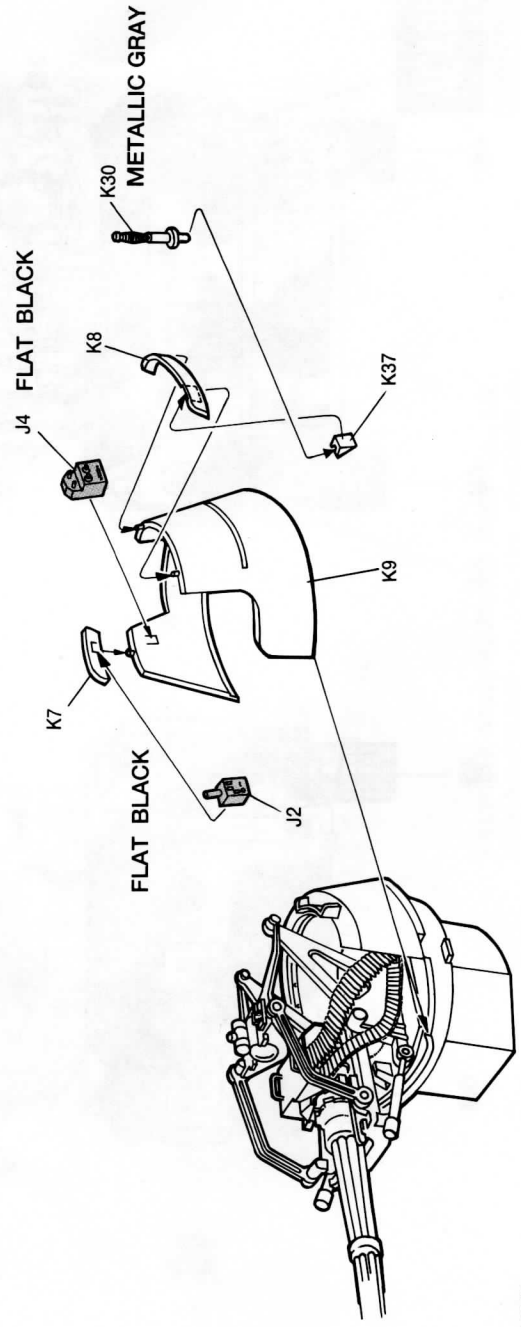
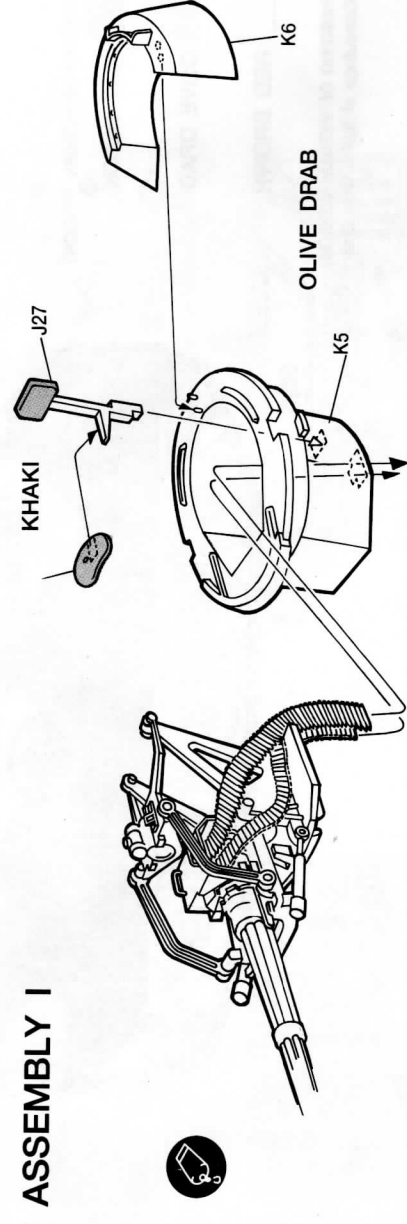
⑤ GUN ASSEMBLY II



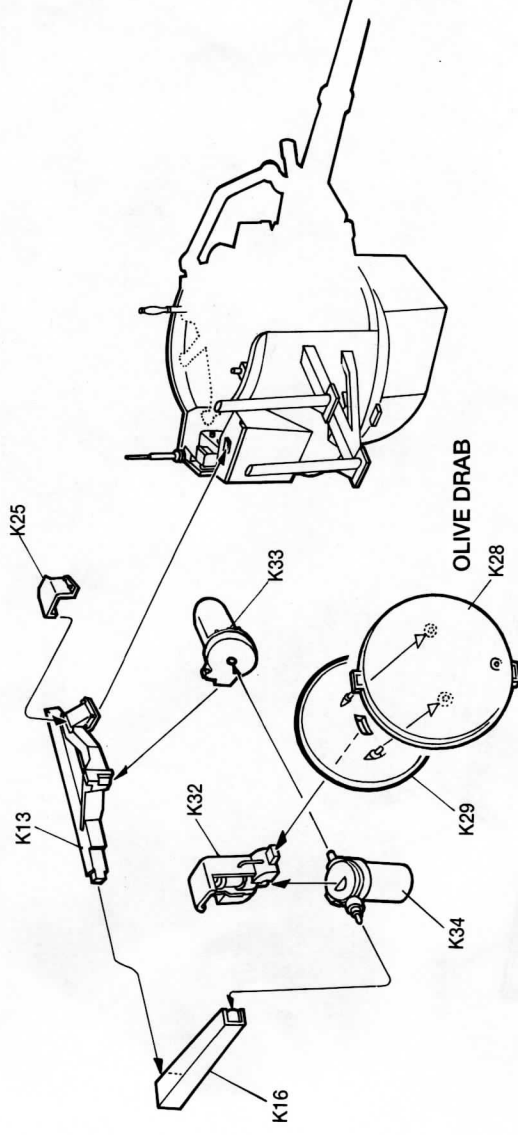
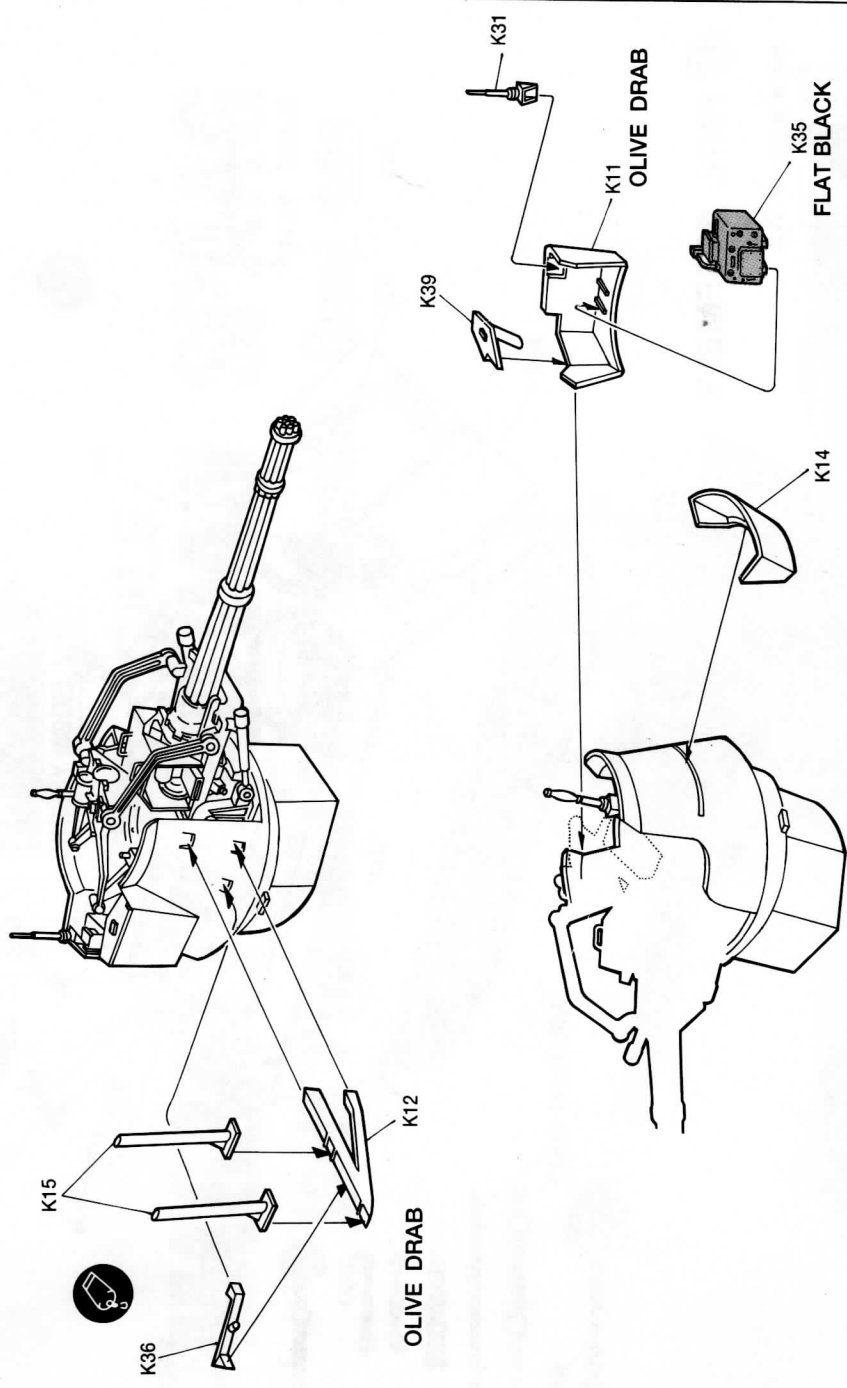
Attach K26 & K27 last.



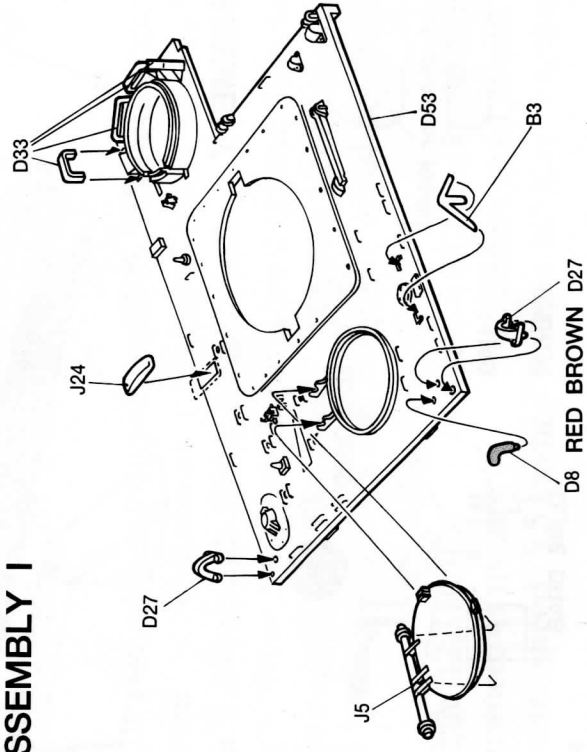
⑥ TURRET ASSEMBLY I



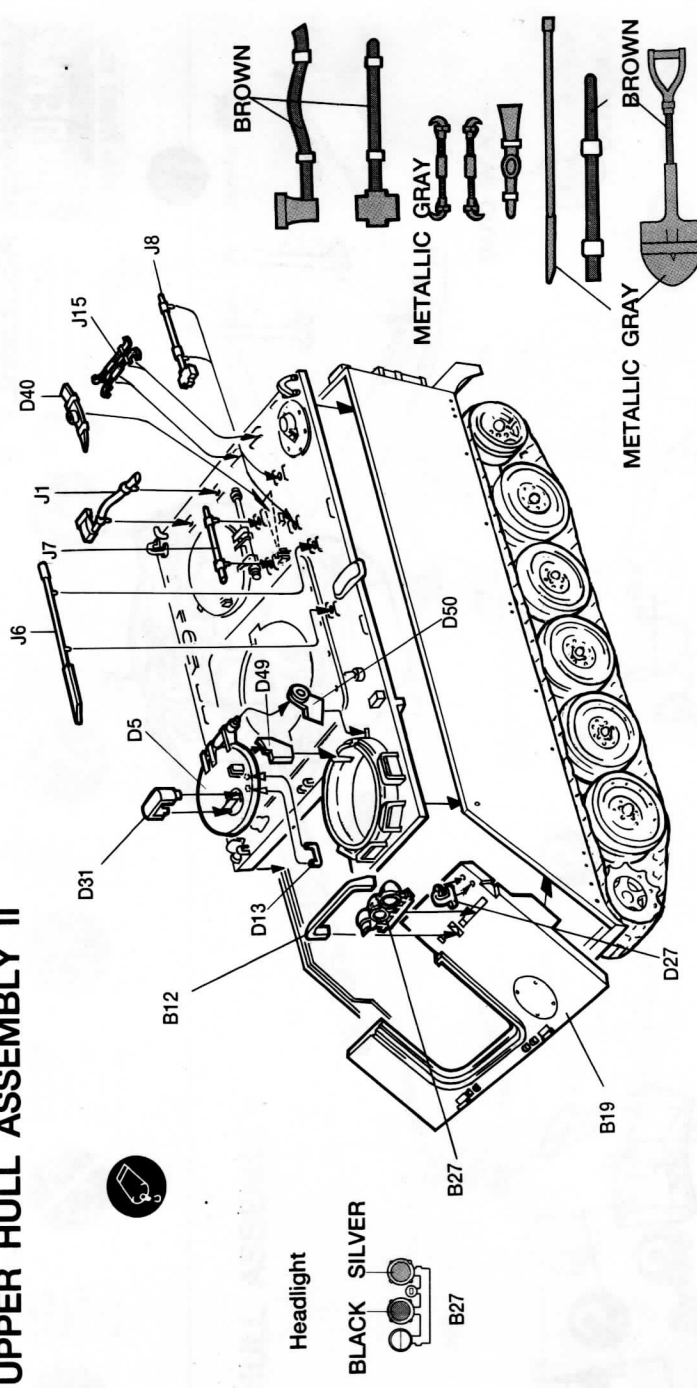
⑦ TURRET ASSEMBLY II



⑧ UPPER HULL ASSEMBLY I

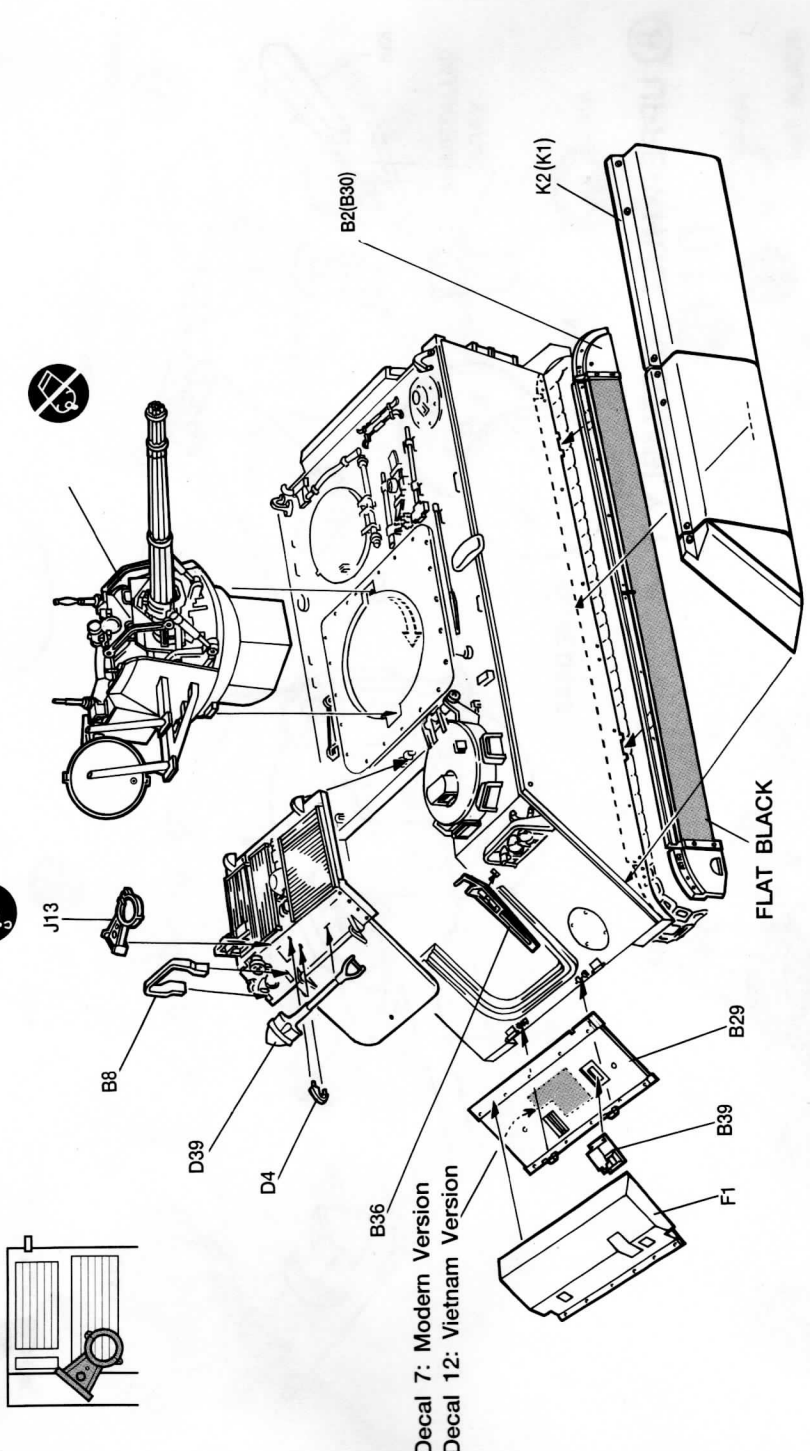


9 UPPER HULL ASSEMBLY II

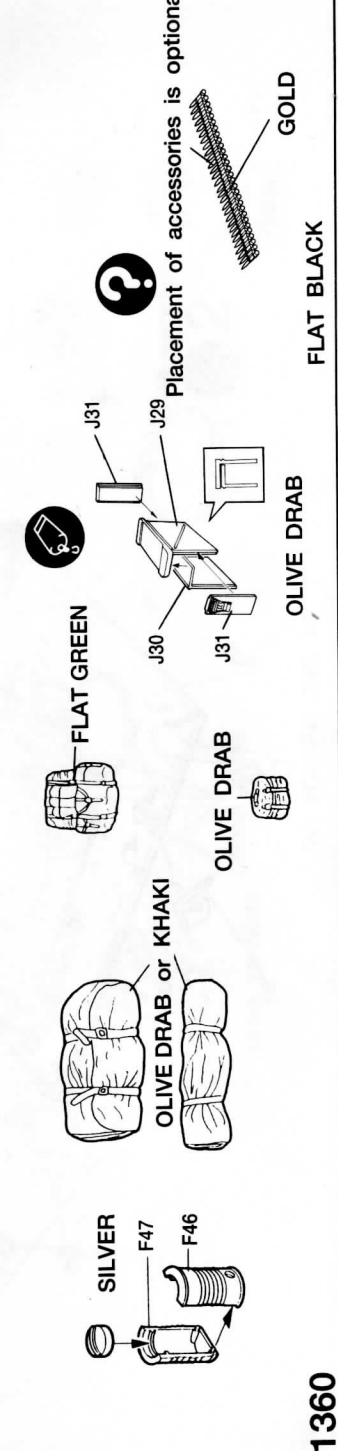


10 FINAL ASSEMBLY

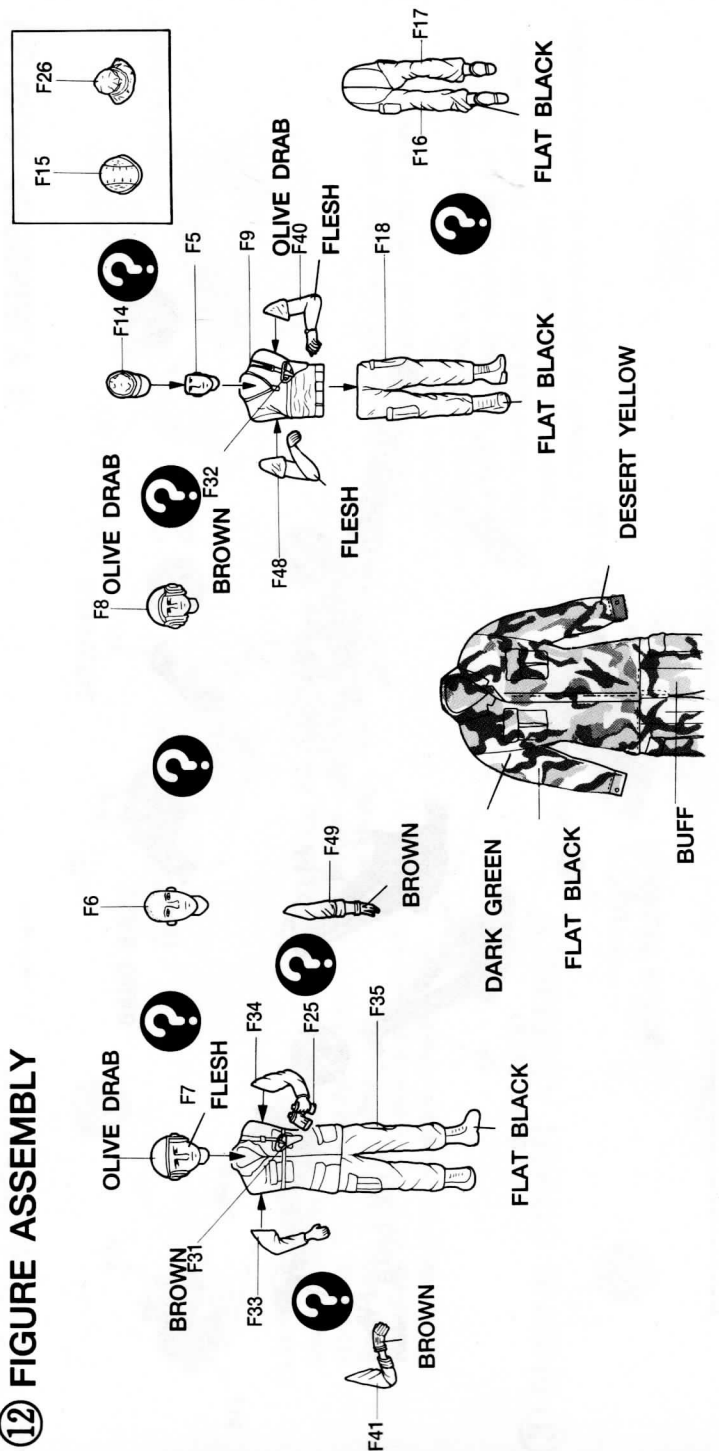
Note angle of J13.



11 ACCESSORY ASSEMBLY

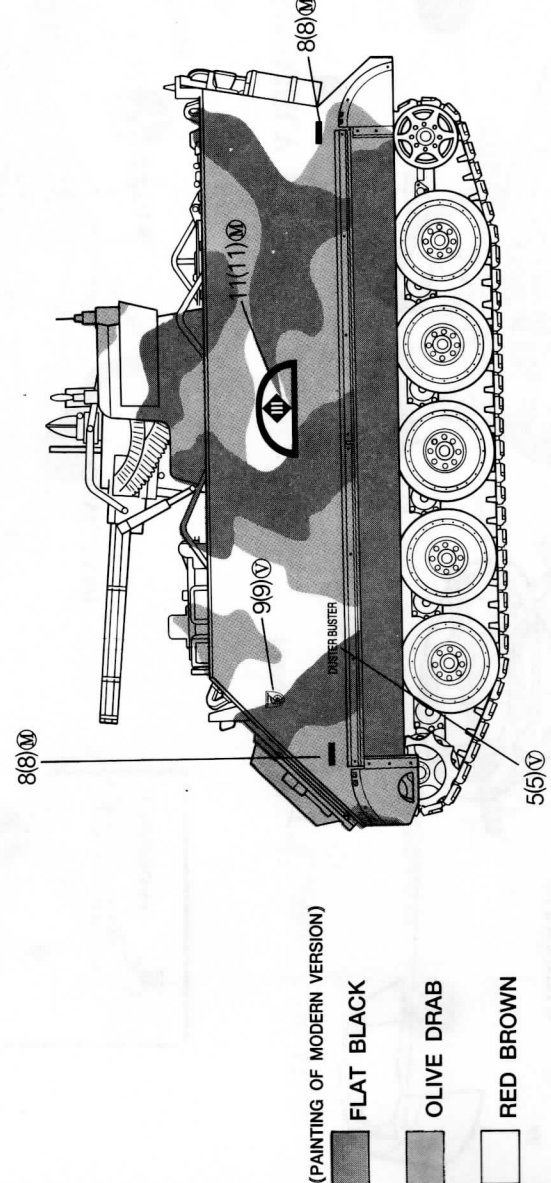


12 FIGURE ASSEMBLY



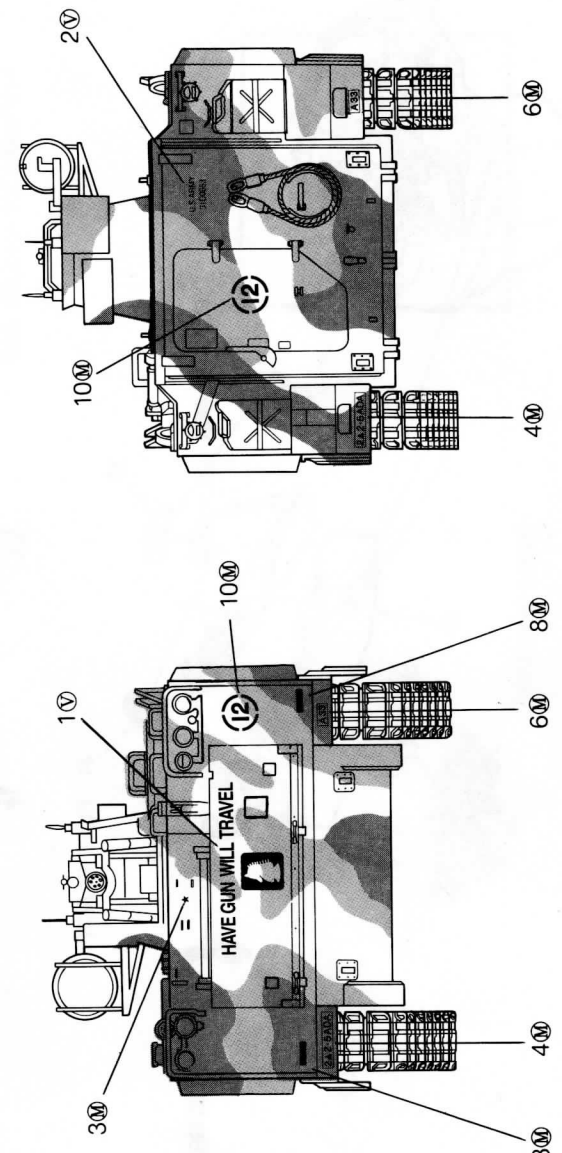
PAINTING AND DECAL PLACEMENT

Decals with (M) after the number designate Modern Version Decals.
Decals with (V) after the number designate Vietnam Version Decals.



- (PAINTING OF MODERN VERSION)
- FLAT BLACK
 - OLIVE DRAB
 - RED BROWN

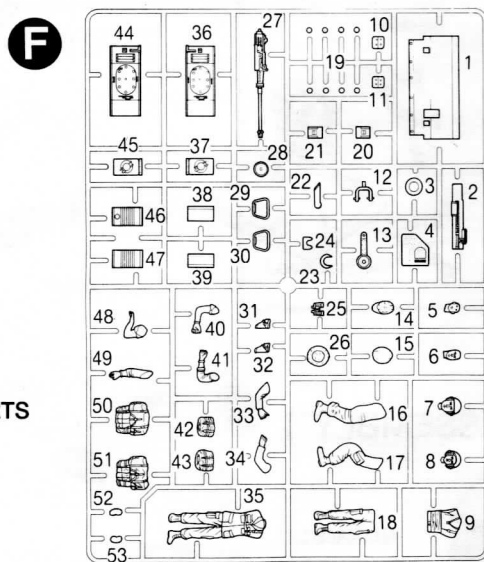
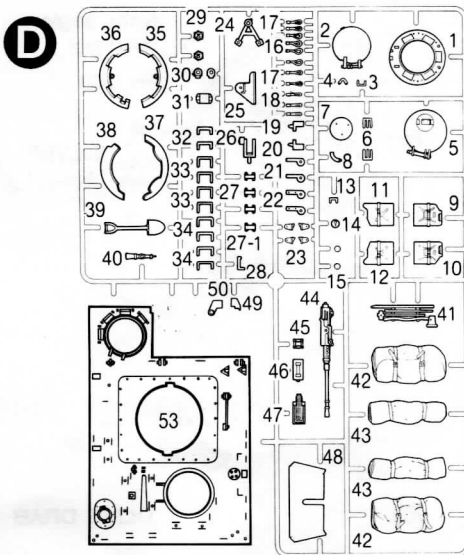
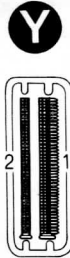
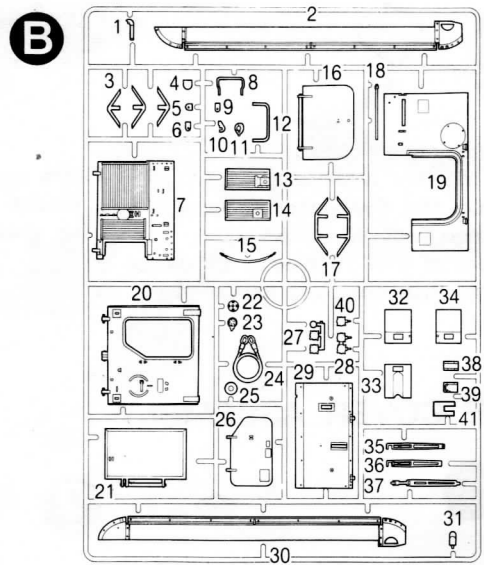
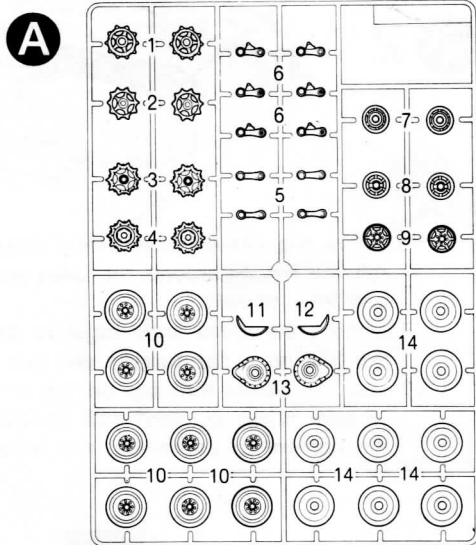
- (PAINTING OF VIETNAM VERSION)
Camouflage of Buff & Olive Drab



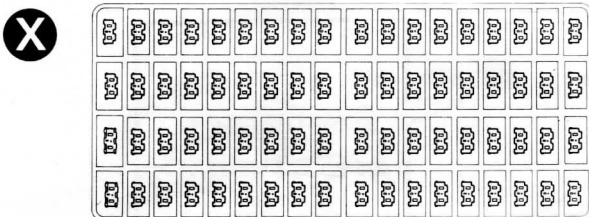
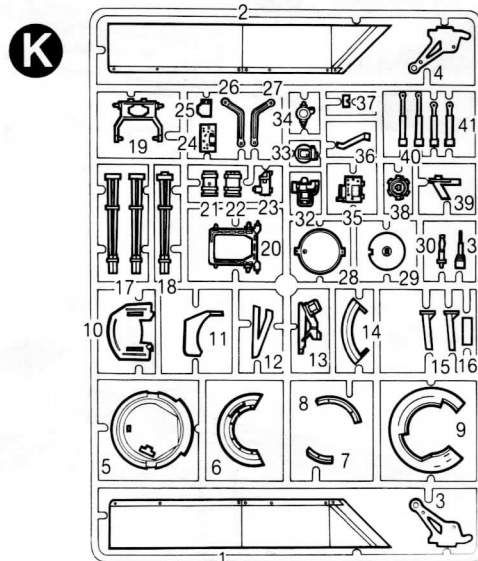
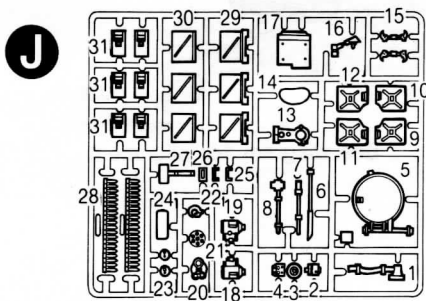
1360

1360

PARTS LOCATING DIAGRAM



POLY PARTS



×2

ACADEMY
HOBBY MODEL KITS