



F/A-18A/C/D Aggressor VFC-12 & VFA-204

Fighter Squadron Composite Twelve (VFC-12) and Strike Fighter Squadron 204 (VFA-204) belong to the Tactical Support Wing (TSW). The Tactical Support Wing (TSW) is a United States Navy reserve air wing whose primary mission is operational and training support for active forces. Based at Naval Air Station Joint Reserve Base Fort Worth, the wing is composed of five squadrons and five Squadron Augment Units (SAU) in seven states.

It is the Navy Reserve's only tactical wing, and has been since the 1994 disestablishment of the Navy's West Coast reserve air wing (CVWR-30).

In 2007, the wing was renamed from Reserve Carrier Air Wing 20 (CVWR-20) under the Navy's Active-Reserve Integration (ARI) plan.

The VFC-12 aircraft no longer wear the unique adversary blue camouflage paint scheme which they have been known for but upgraded to the SU-35 Flanker Prototype 2 Arctic Splinter Camouflage in late 2012 when they transitioned back to the F/A-18A+. The Splinter Camouflage paint scheme was designed by veteran; Darrall W. Taylor Jr (former; AD3 Taylor).

Strike Fighter Squadron 204 (VFA-204), also known as the "River Rattlers", is a U.S. Navy Reserve strike fighter squadron flying the F/A-18C/D Hornet. The squadron aircraft upgraded to the new aggressor paint scheme in 2019.

CAUTION

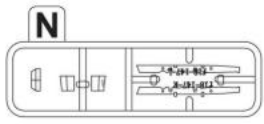
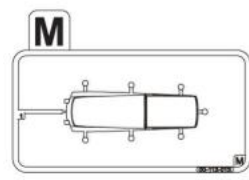
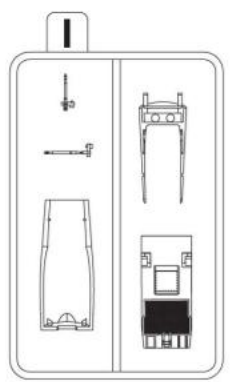
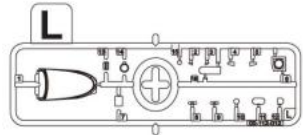
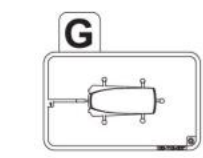
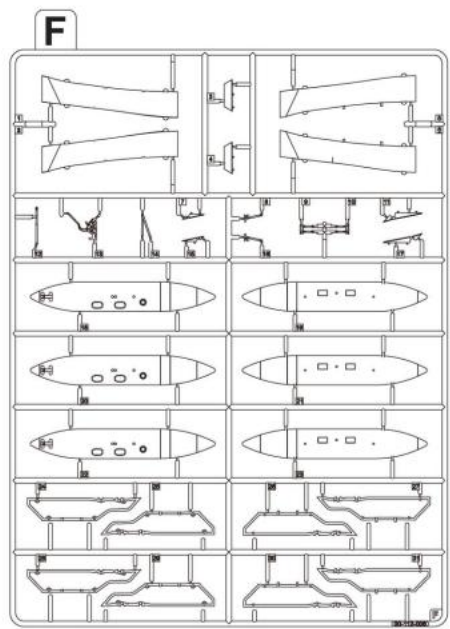
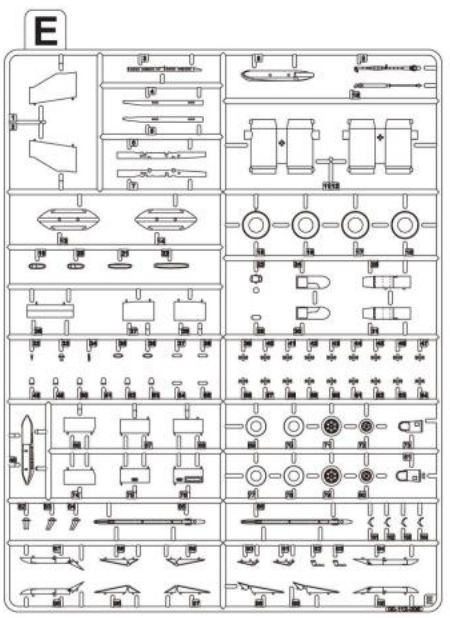
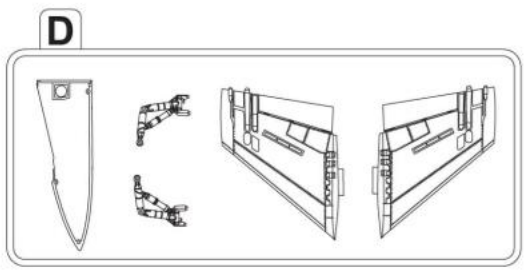
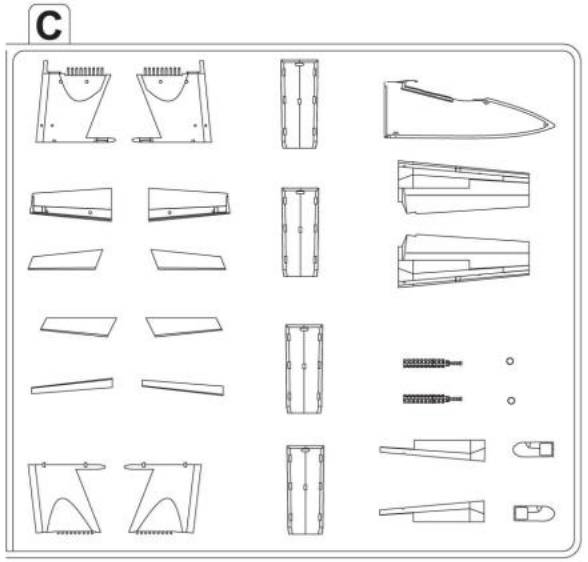
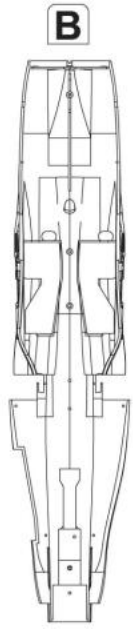
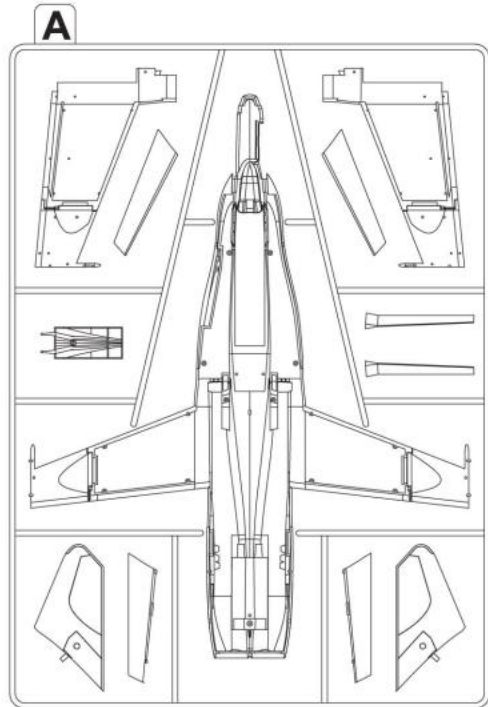
- *Read carefully and fully understand the instructions before commencing assembly.
- *Keep out of reach of children. Children must not be allowed to put any parts in their mouths, or pull plastic bag over their heads.
- *When using adhesives and paints, please make sure not to use them in closed room or near the fire.
- *When assembling this kit, tools including knives are used. Extra care should be taken to avoid injury.

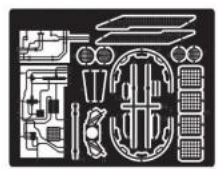
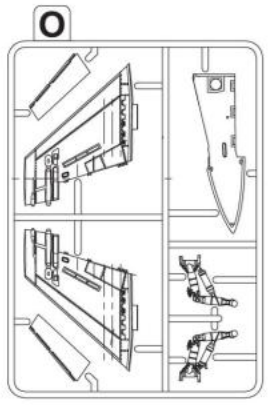
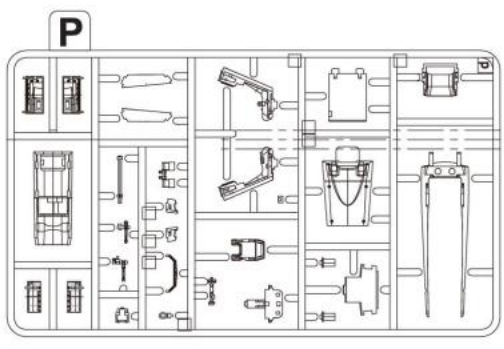
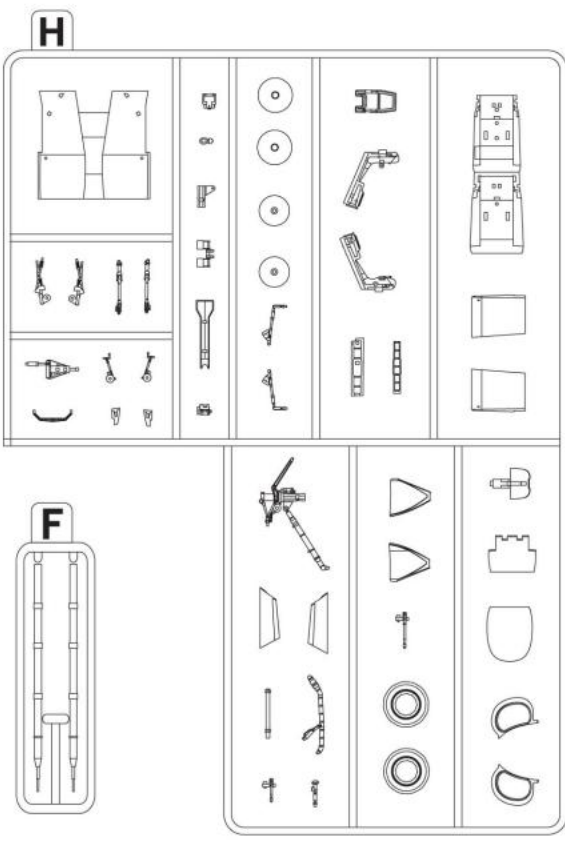
WARNING: CONTAIN SMALL PARTS NOT FOR CHILDREN UNDER 14 YEARS OF AGE.



TOOLS RECOMMENDED







AFTERMARKET SERVICES CARD

When requesting replacement parts, please take or send this form to your local dealer so that the parts required can be correctly identified. Please note that specifications and availability are subject to change without notice.

or visit <http://www.kineticmodel.com> for latest information.

For more information, please contact services@kineticmodel.com

00-100-050	AQ-POD (FOR AGRESSOR)	1	F
00-112-001	1/48 F/A-18 UPPER FUESLAGE A	1	A
00-112-002	1/48 F/A-18 LOWER FUESLAGE B	1	B
00-112-003	1/48 F/A-18 FLAPS C	1	C
00-112-004	1/48 F/A-18 C/D VERTICAL TAIL D	1	D
00-112-005	1/48 F/A-18 WHEEL, PYLONS E	1	E
00-112-006	1/48 F/A-18 FUEL TANKS, PYLON F	1	F
00-112-007	1/48 F/A-18 A/C CANOPY G	1	G
00-112-008	1/48 F/A-18 COCKPIT, LANDING GEAR H	1	H
00-112-009	1/48 F/A-18 A/C PARTS I	1	I
00-112-012	1/48 F/A-18 COMMON CLEAR PARTS L	1	L
00-112-013	1/48 F/A-18 DOUBLE CANOPY M	1	M
00-112-014	1/48 F/A-18 A/B/C/D PYLON ANN. PART N	1	N
00-112-015	1/48 F/A-18 A/B VERTICAL TAIL PART O	1	O
00-112-016	1/48 F/A-18 B/D PARTS P	1	P
01-112-48088	Decal	1	
03-112-48088	Manual	1	
06-112-48031	1/48 F/A-18A/C	1	PE

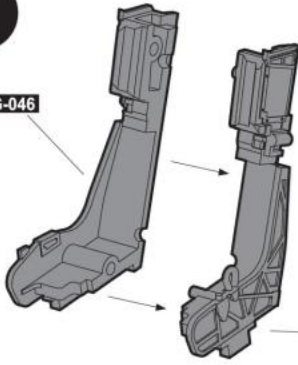
PAINT INDEX

COLOR	AMMO MIG	VALLEJO MODEL COLOR	GS1 CREOS MR. COLOR	TAMIYA ENAMEL/ACRYLIC	HUMBROL ENAMEL
DUNKELGELB AUS '44 DG I	A.MIG-011	830	-	XF62	66
SATIN BLACK	A.MIG-032	861	2	-	21
OLD WOOD	A.MIG-036	879	81	-	-
GUN METAL	A.MIG-045	863	76	XF56	53
MATT BLACK	A.MIG-046	950	12	XF1	33
SATIN WHITE	A.MIG-047	842	1	-	22
YELLOW	A.MIG-048	953	413	XF3	15
RED	A.MIG-049	957	-	XF07	153
MATT WHITE	A.MIG-050	951	11	XF2	34
CRYSTAL RED	A.MIG-093	934	-	-	220
CRYSTAL PERISCOPE GREEN	A.MIG-096	936	-	-	-
CRYSTAL ORANGE	A.MIG-097	935	-	-	-
CRYSTAL LIGHT BLUE	A.MIG-098	938	-	-	-
MEDIUM BLUE	A.MIG-103	71.090	328	-	-
A.MIG-908	A.MIG-119	71.219	-	-	-
GOLD YELLOW	A.MIG-125	996	-	-	-
FADED YELLOW	A.MIG-130	71.270	318	-	-
SILVER	A.MIG-195	997	8	XF16	11
LIGHT COMPASS GHOST GRAY	A.MIG-203	70.990	308	-	-
GHOST GRAY	A.MIG-208	991	317	XF54	27
MEDIUM GRAY	A.MIG-211	989	-	XF19	127
INTERMEDIATE BLUE	A.MIG-228	867	36	XF54	79
GRAY BASE	A.MIG-908	70.995	301/339	-	-

For Color Profile, please go to www.kineticmodel.com for download (type the kit# and go for manual/painting guide)

1

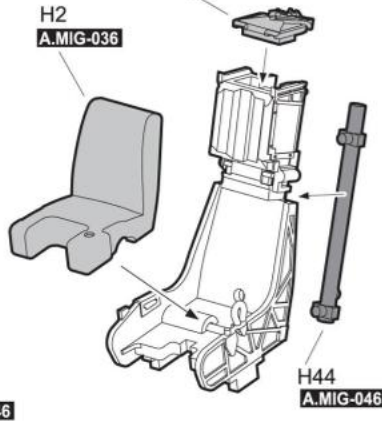
H4
A.MIG-046



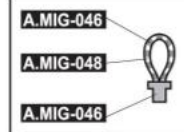
H5
A.MIG-046

H2
A.MIG-036

H12
A.MIG-036



H44
A.MIG-046



H13

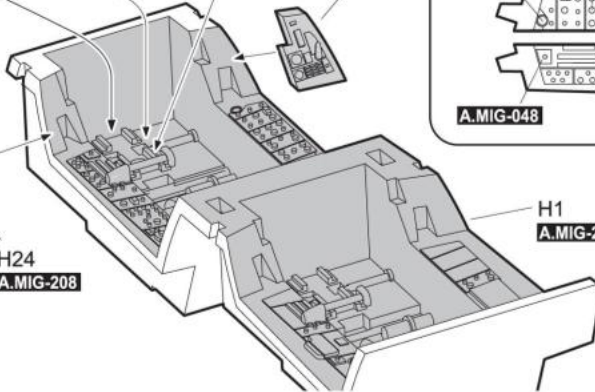
2

H29
A.MIG-208

H15
A.MIG-045

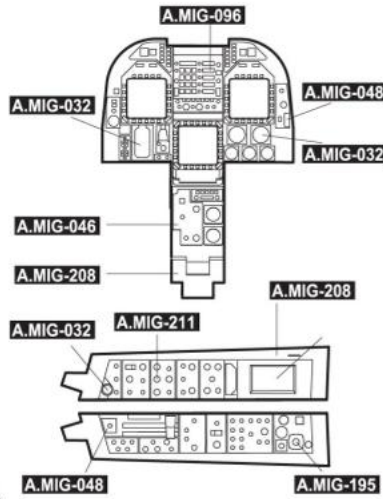
H43
A.MIG-046

H23
A.MIG-208

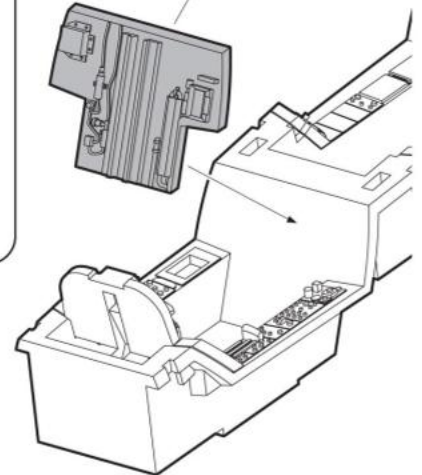


H24
A.MIG-208

Painting Instruction



H30
A.MIG-208

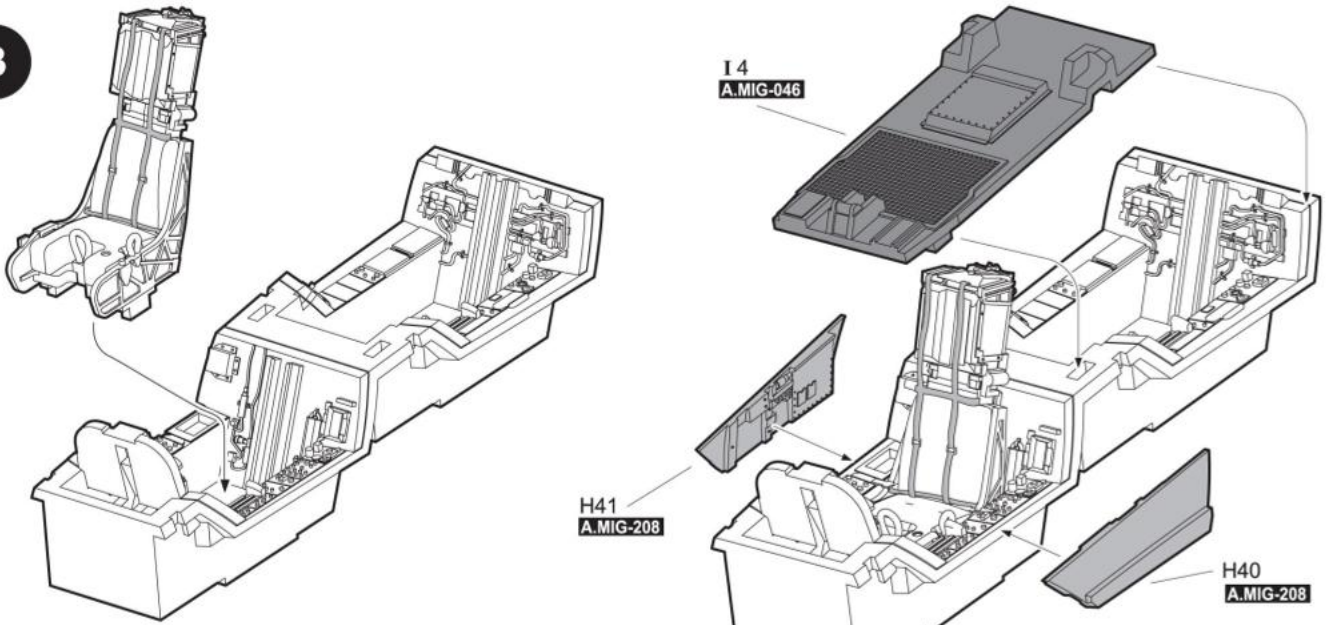


3

I 4
A.MIG-046

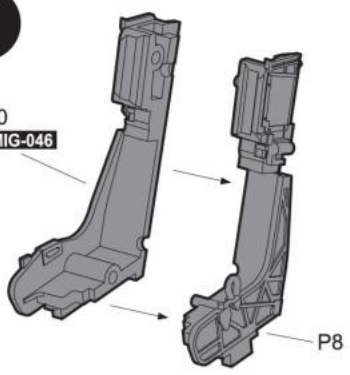
H41
A.MIG-208

H40
A.MIG-208

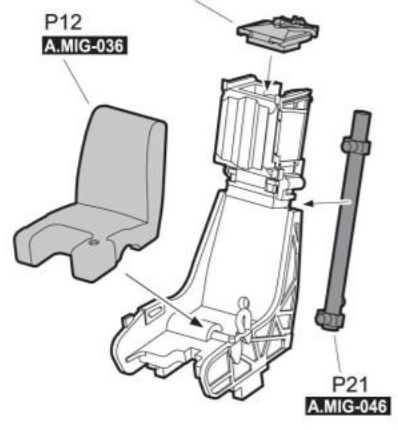


4

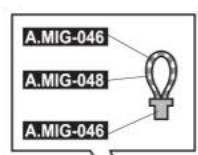
P10
A.MIG-046



P12
A.MIG-036

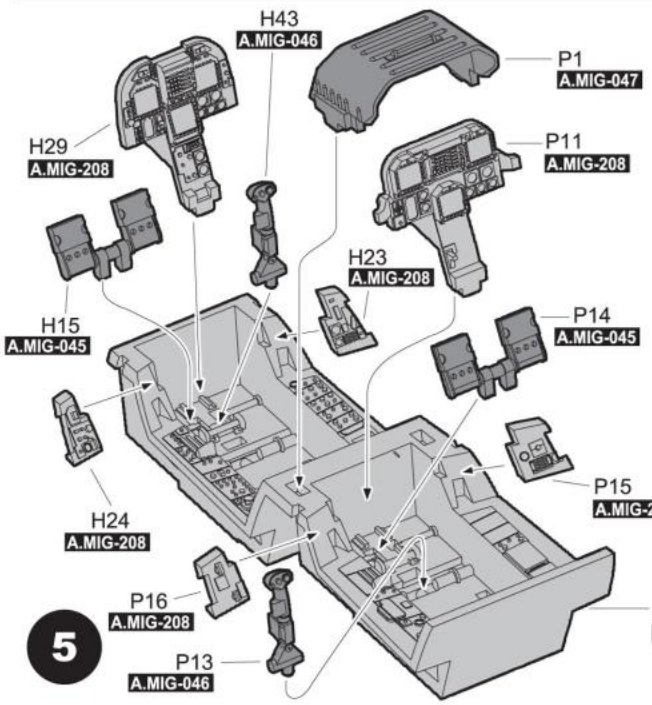
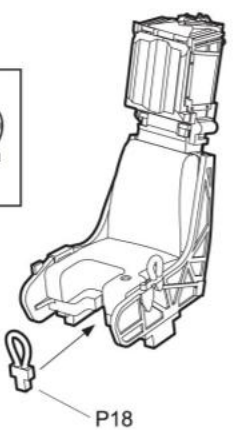


P24
A.MIG-036



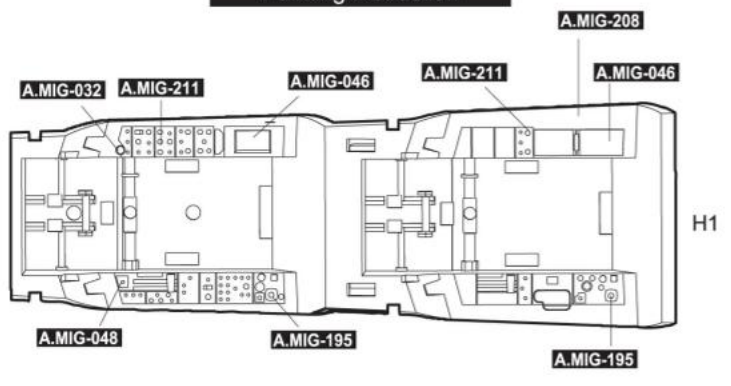
P21
A.MIG-046

P18

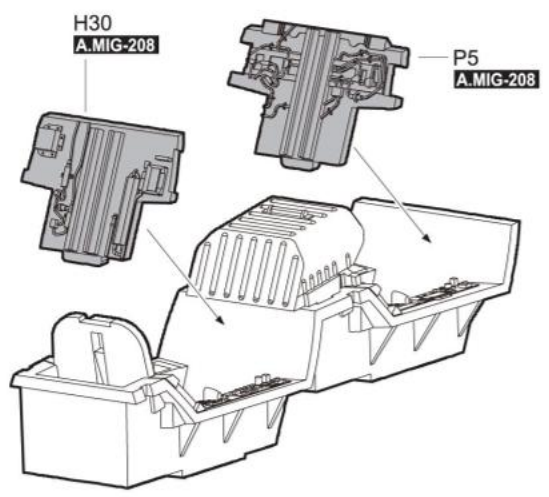
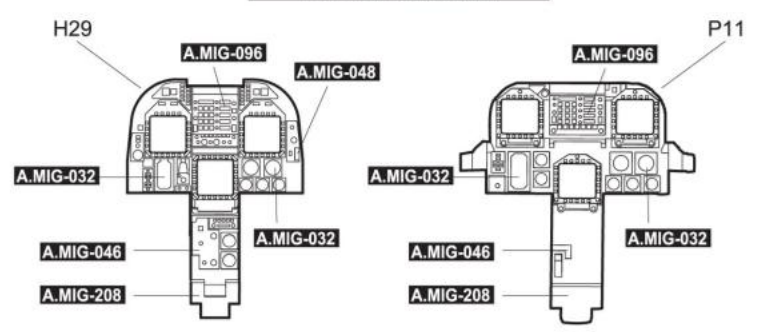


5

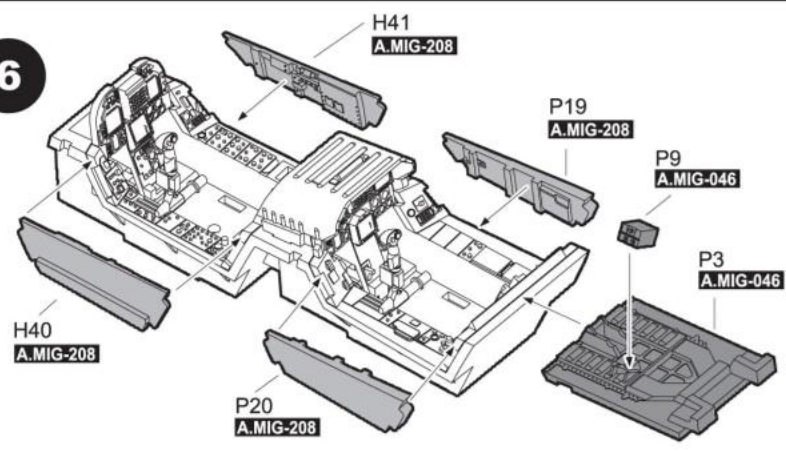
Painting Instruction



Painting Instruction

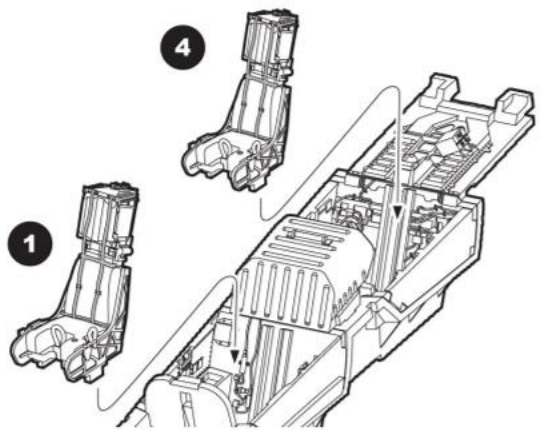


6

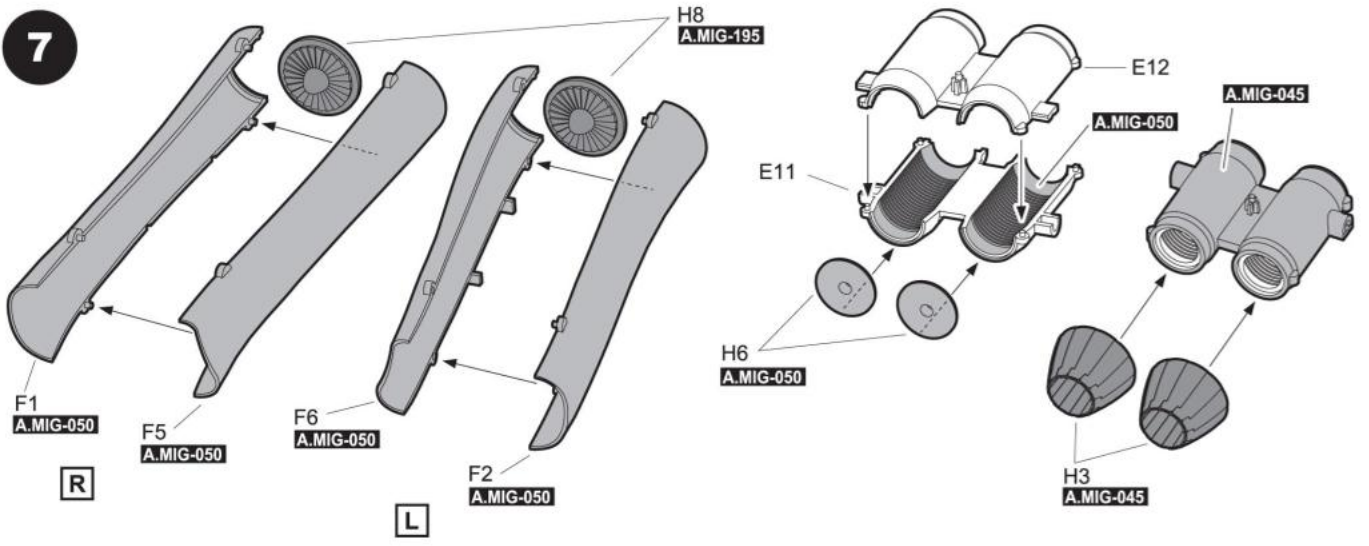


4

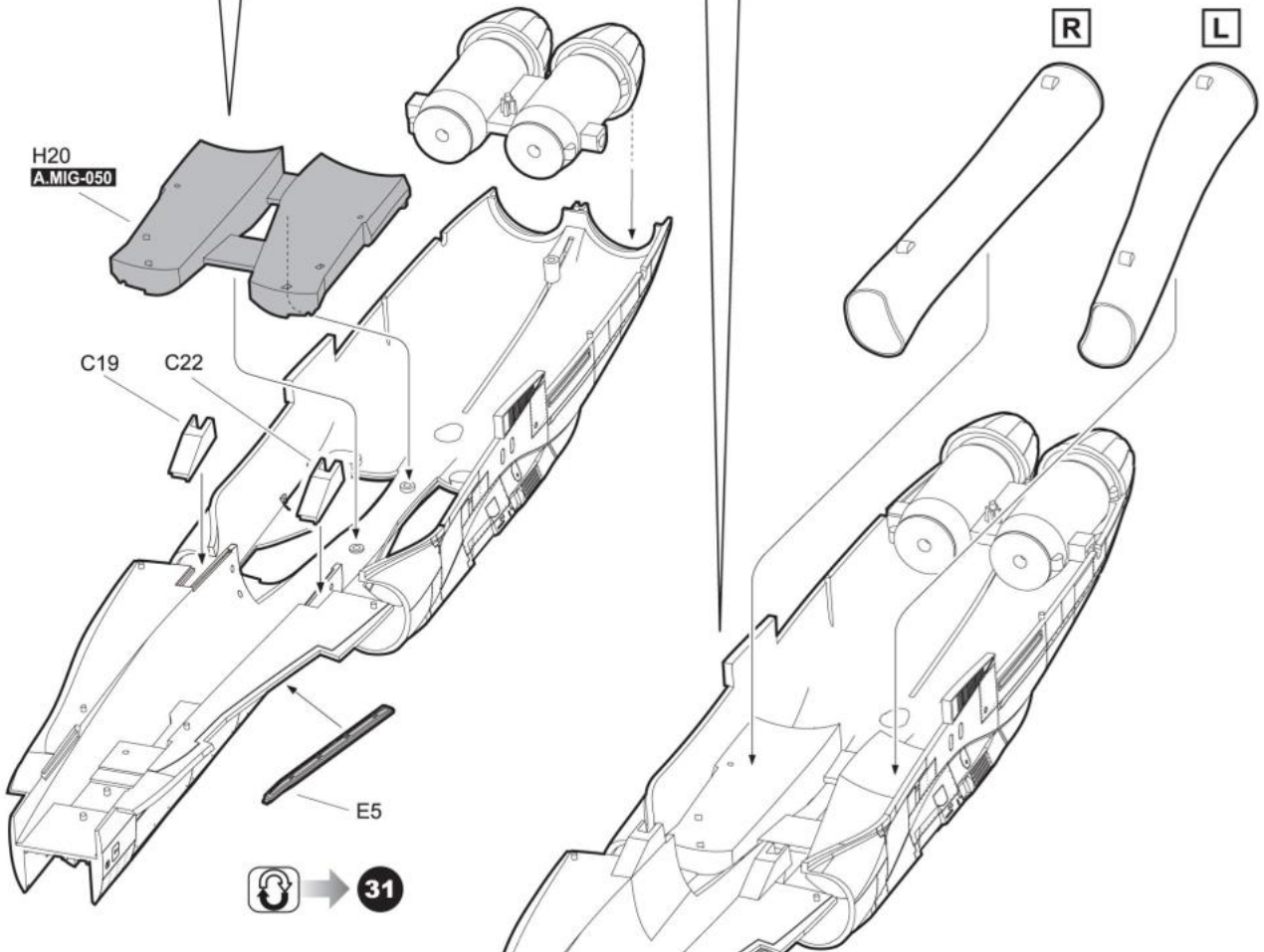
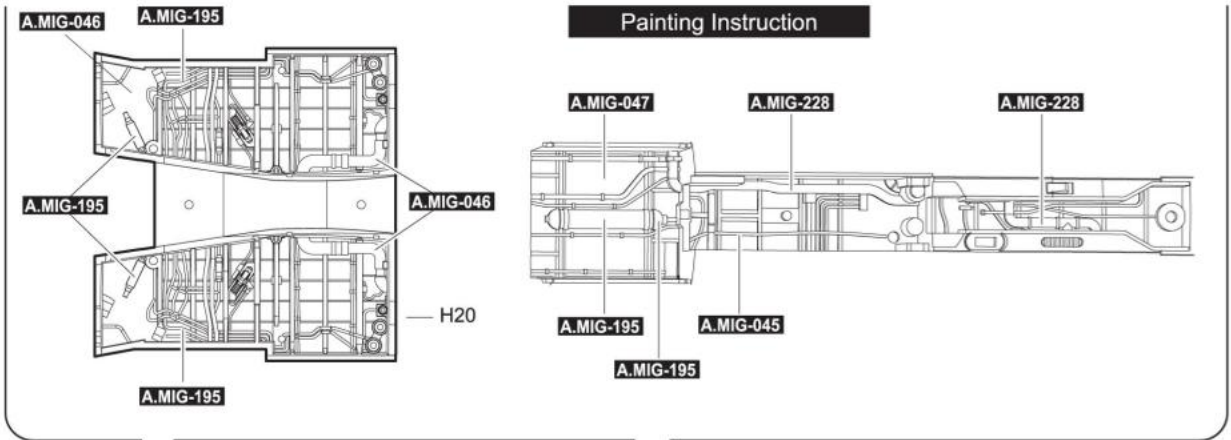
1



7



8

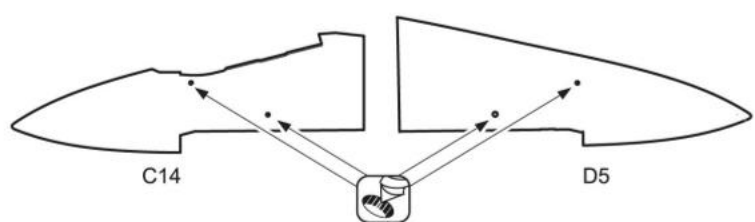
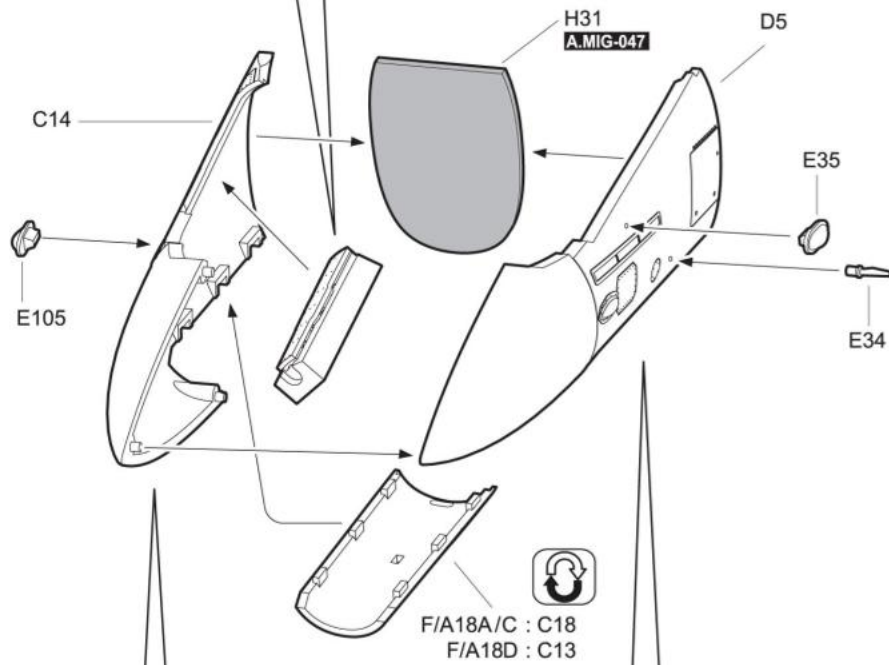
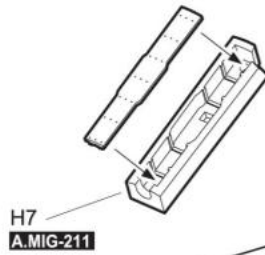
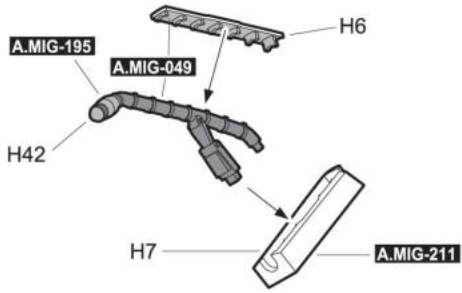


9

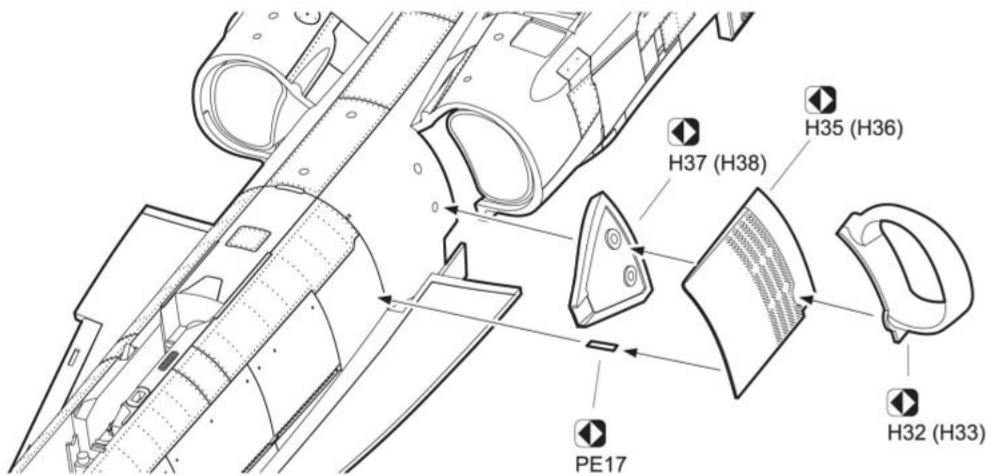
Refuelling Probe Open



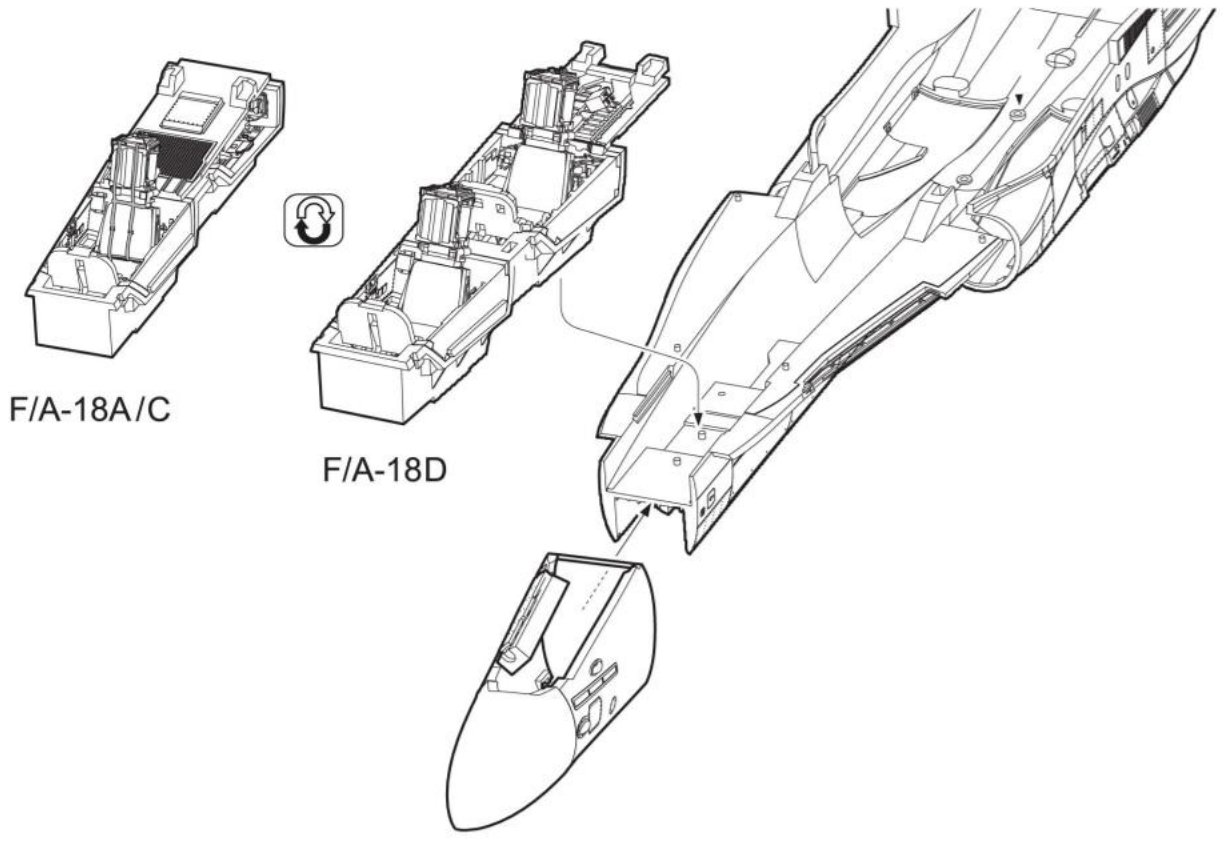
Refuelling Probe Close



10



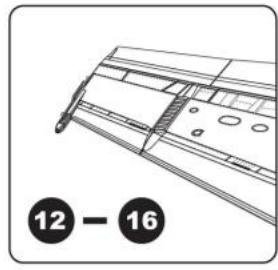
11



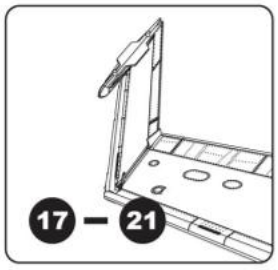
F/A-18A/C

F/A-18D

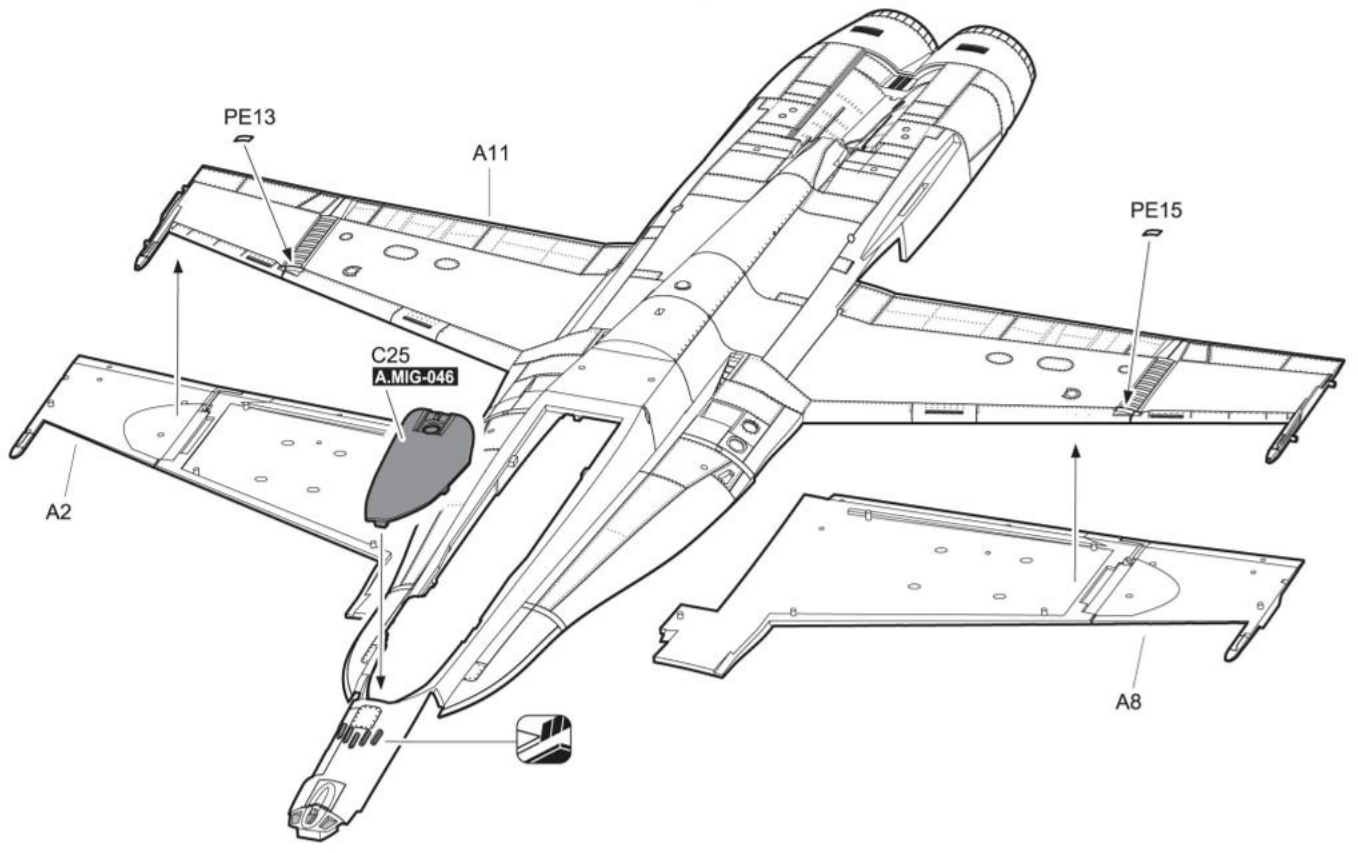
12



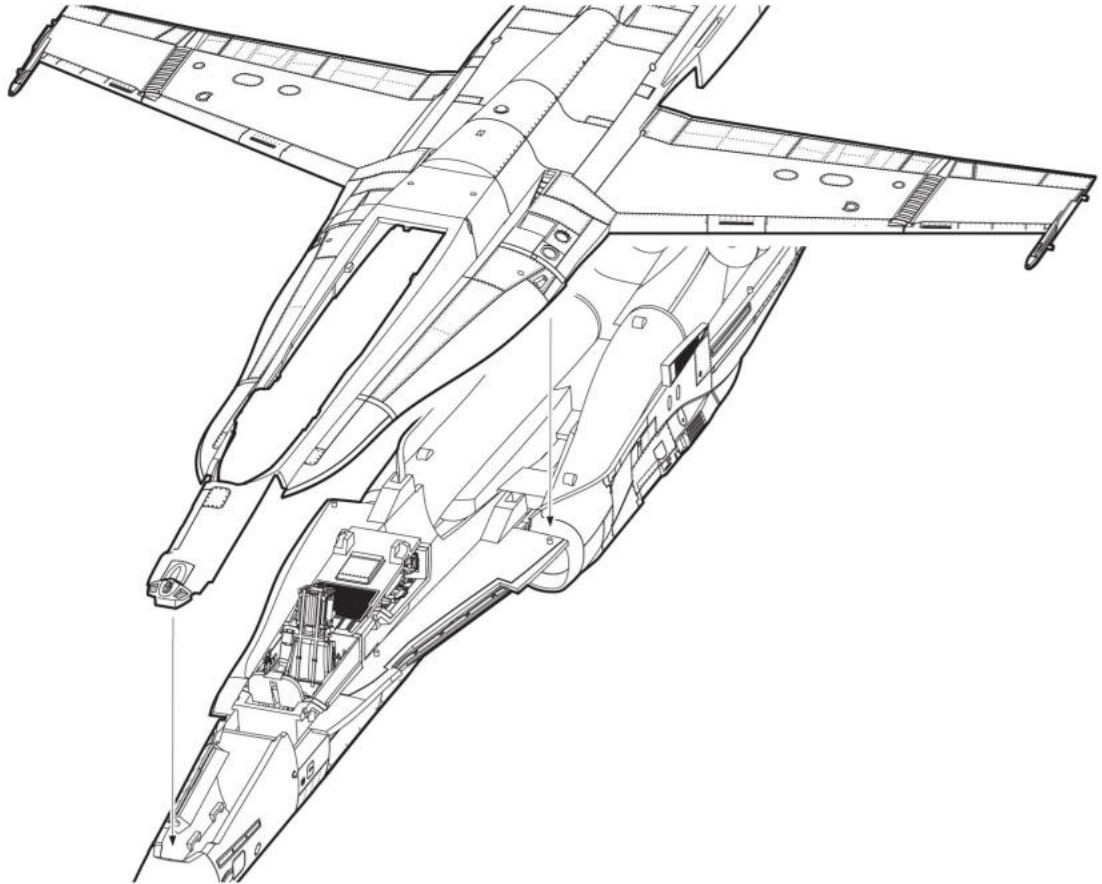
Wings extended



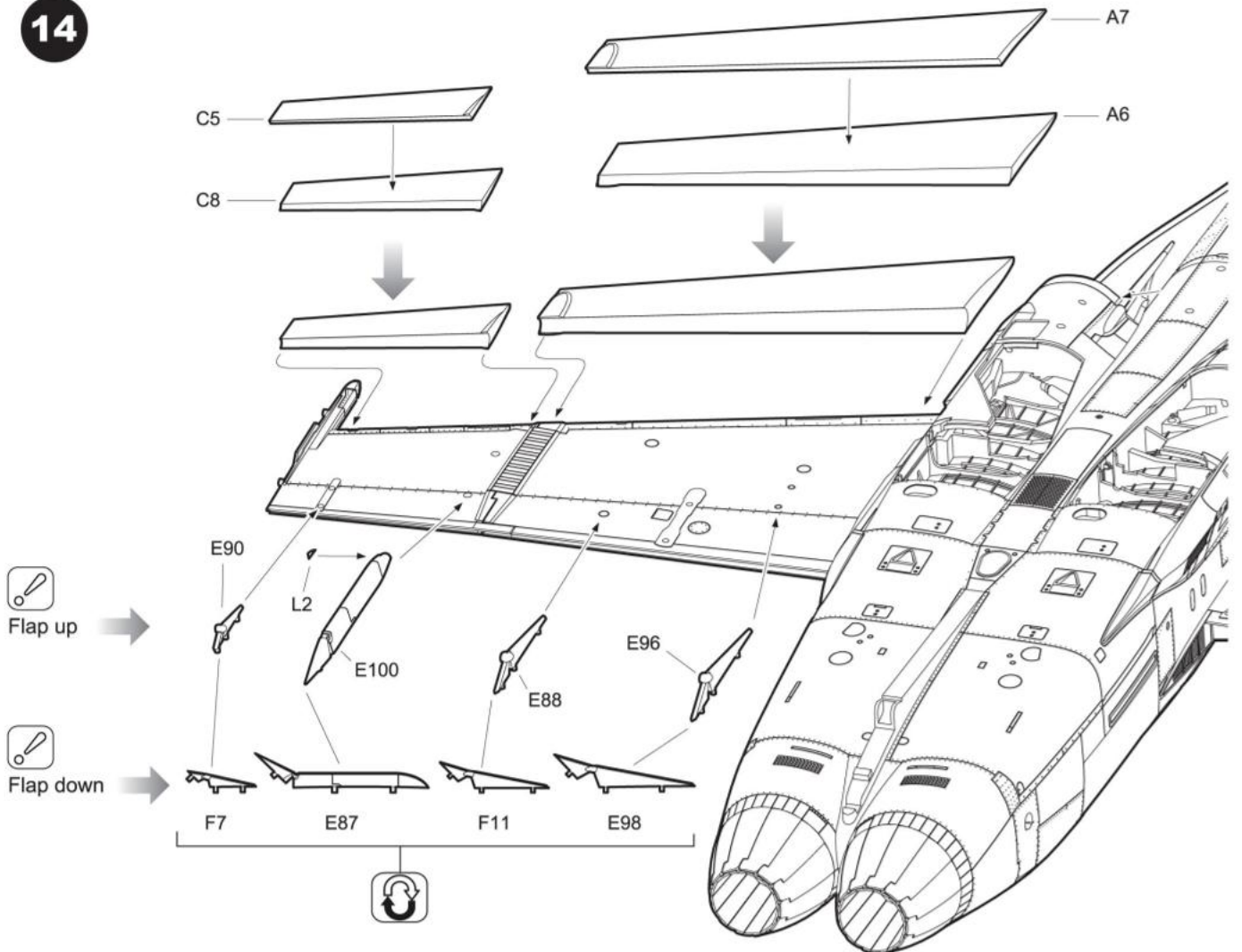
Fold Wings



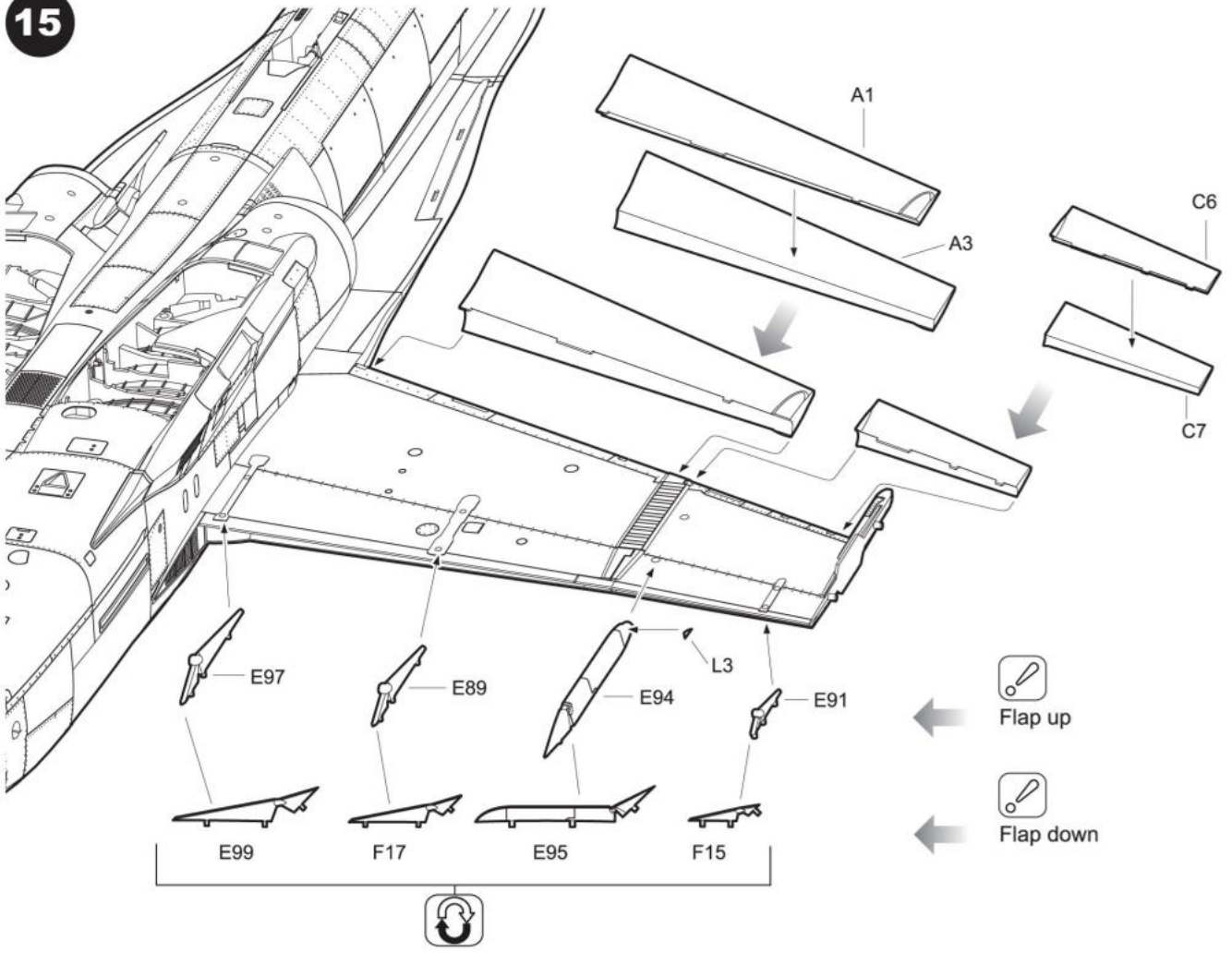
13



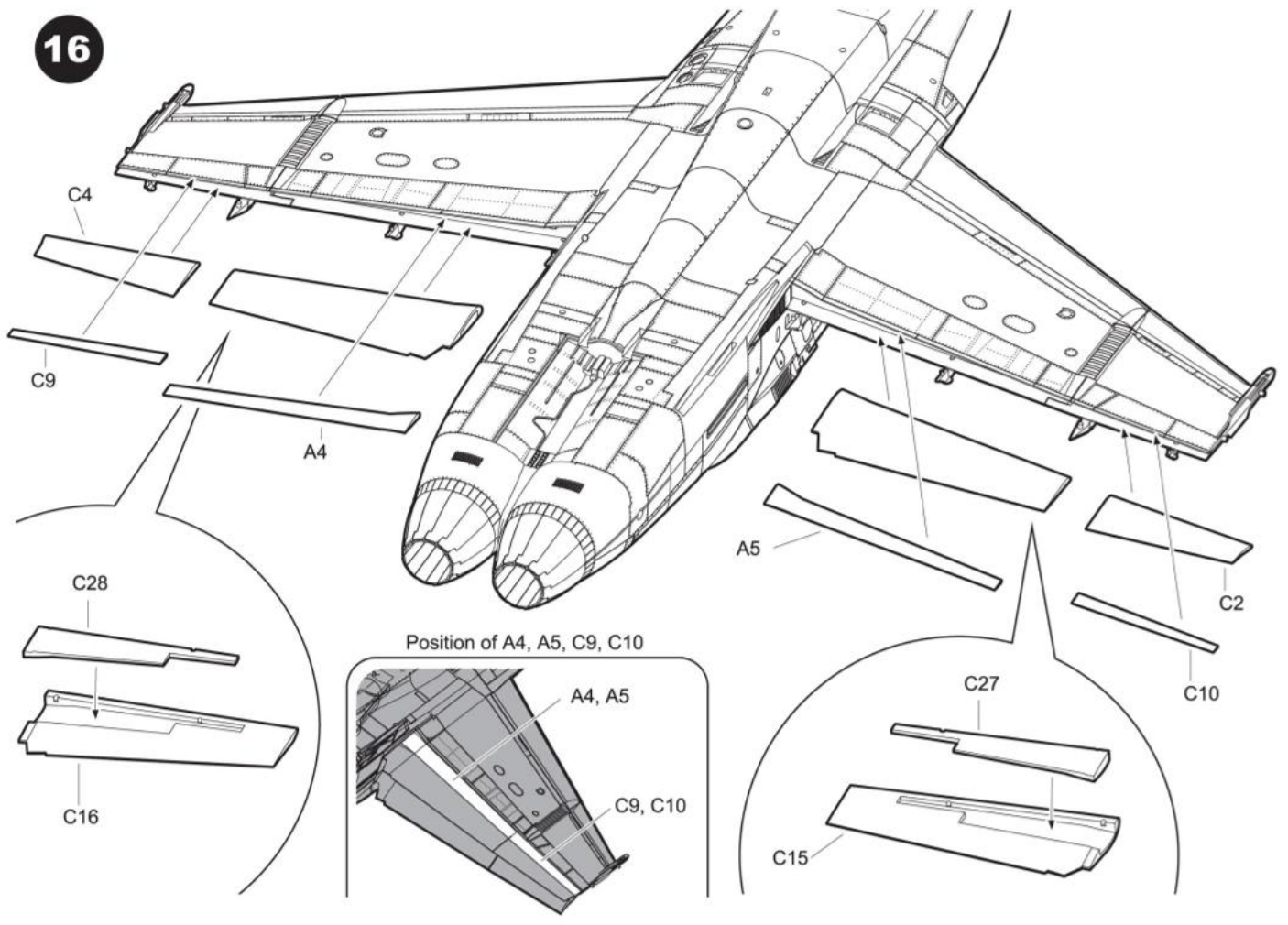
14



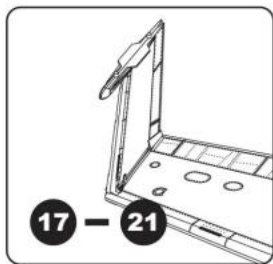
15



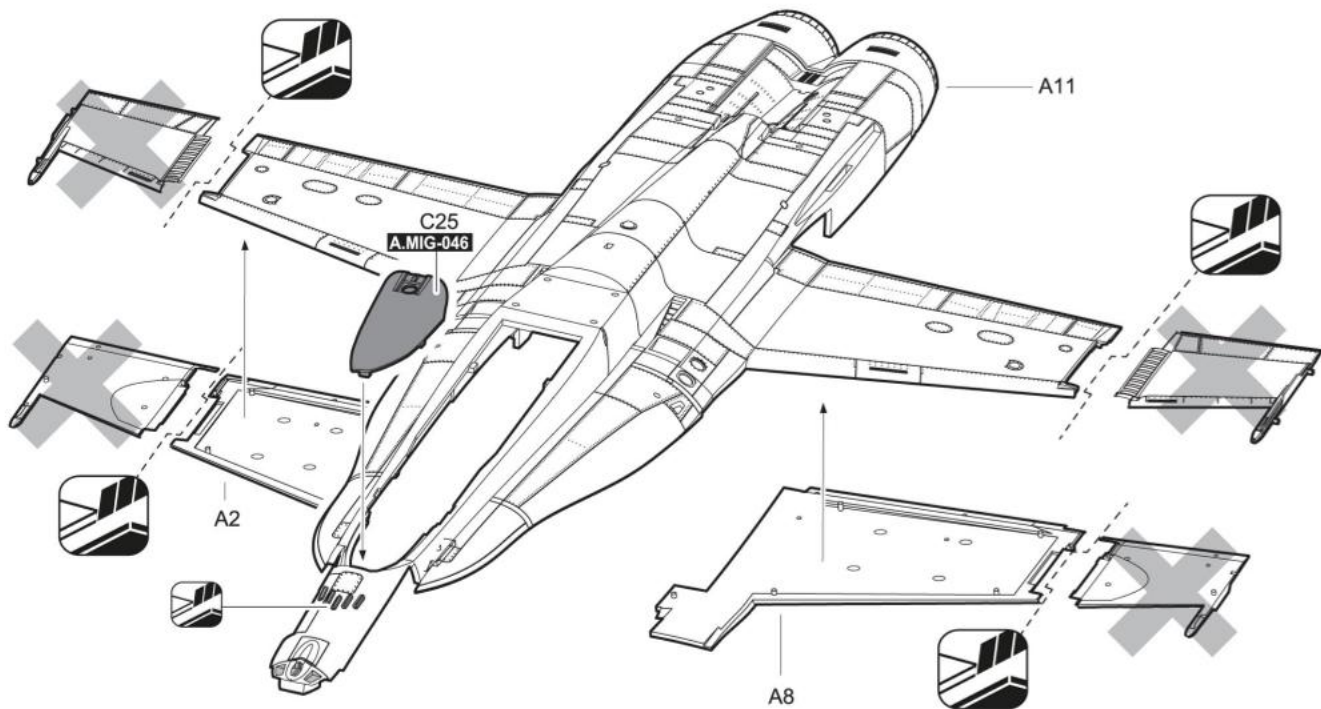
16



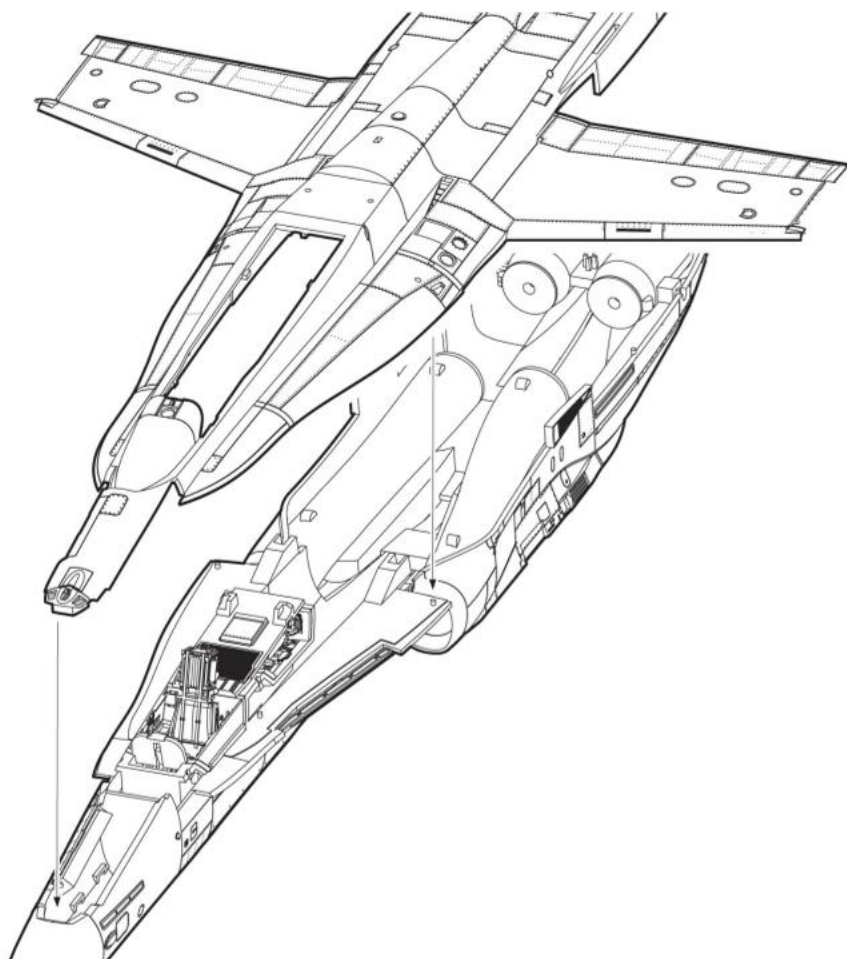
17



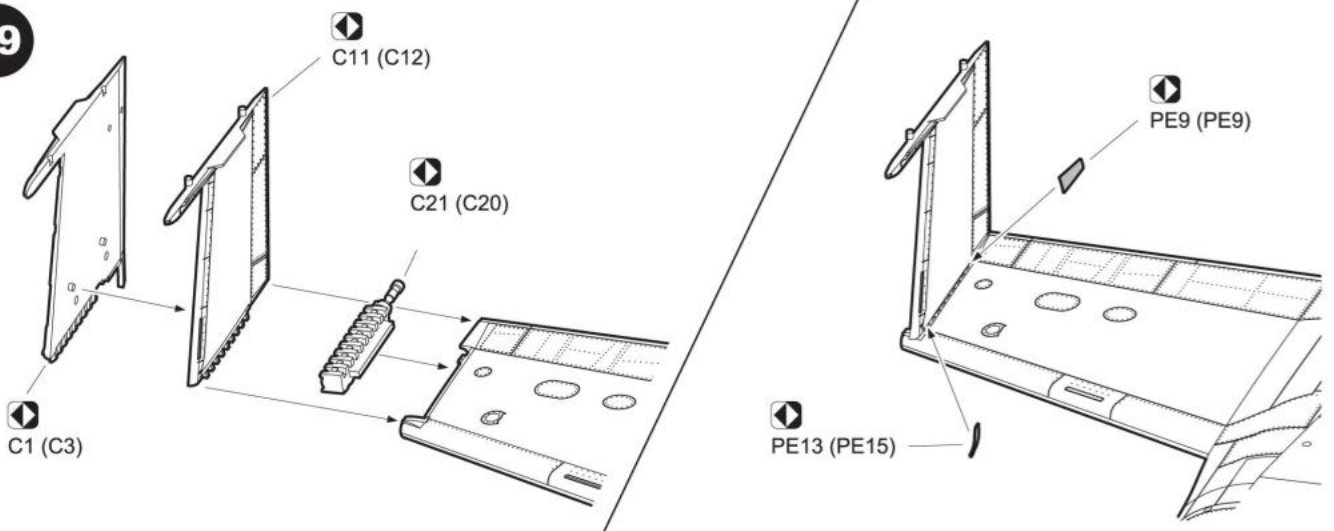
Fold Wings



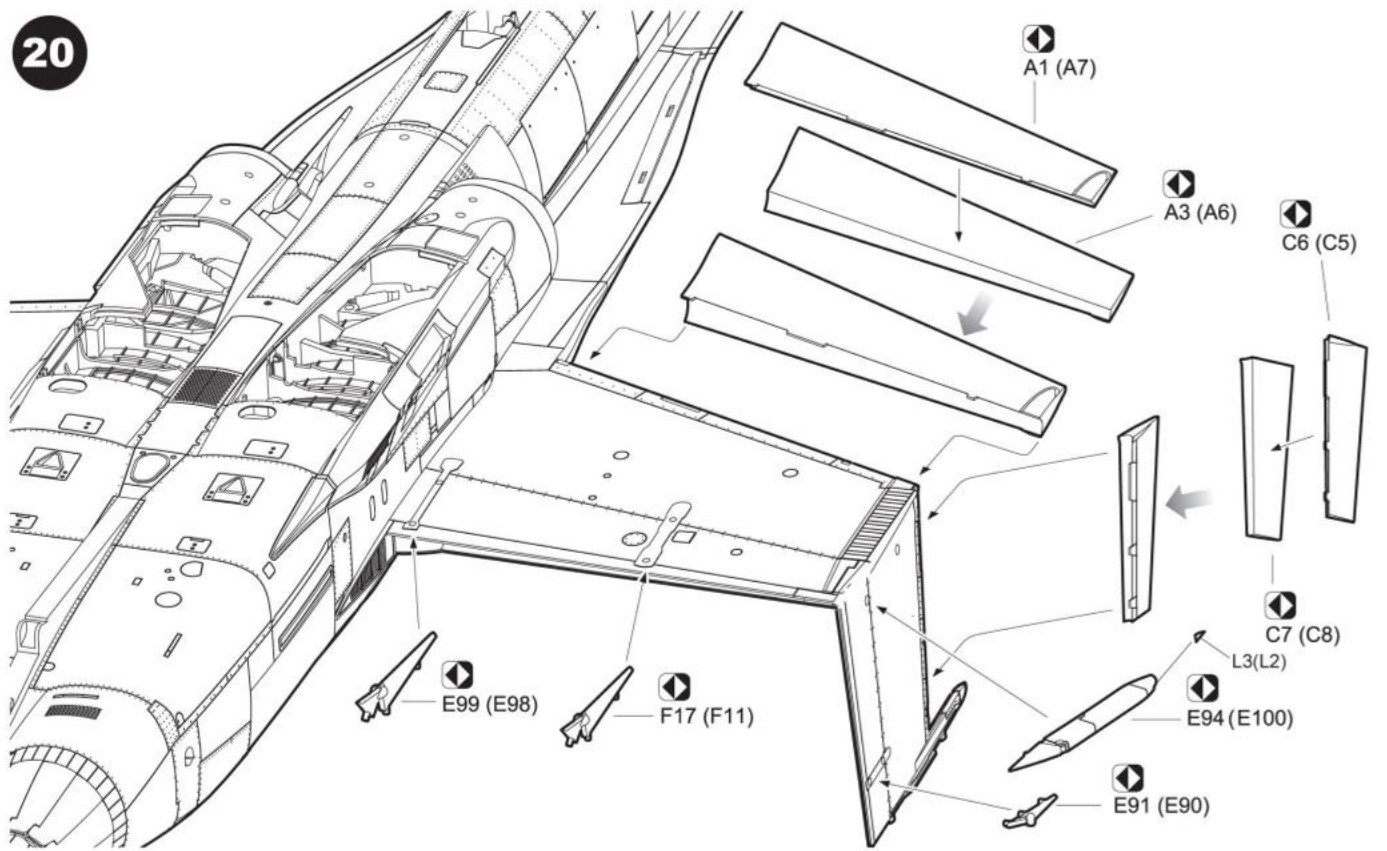
18



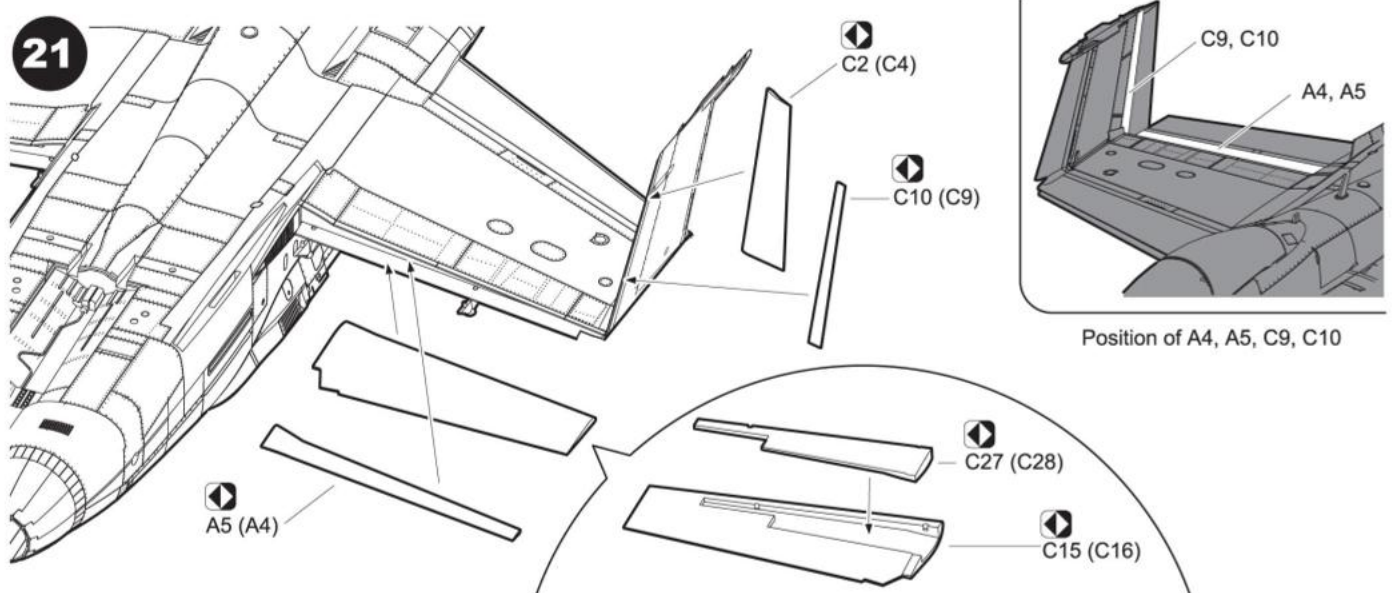
19

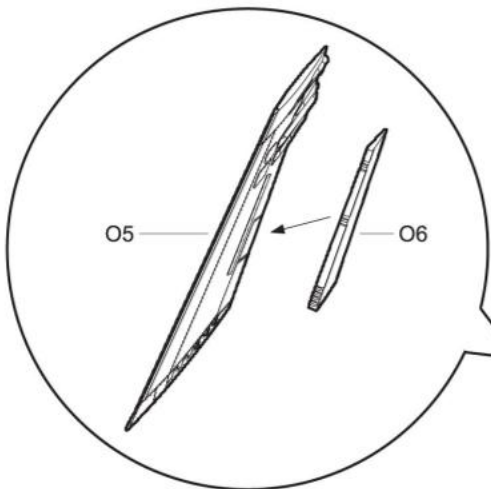
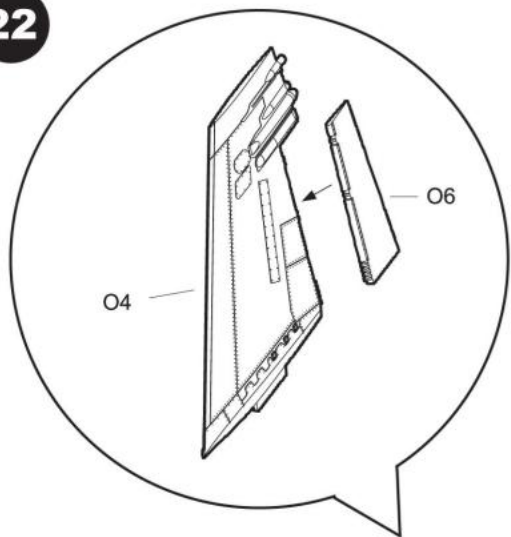


20



21





F/A-18A



F/A-18C/D

F/A-18C



F/A-18A



F/A-18C/D

D2

A6

PE3

A10
A.MIG-011
inside

E10
A.MIG-011

D1

A10
A.MIG-011
inside

A.MIG-011

A6

PE3

E19
989

E20
989

F1

E85

I1

F/A-18A

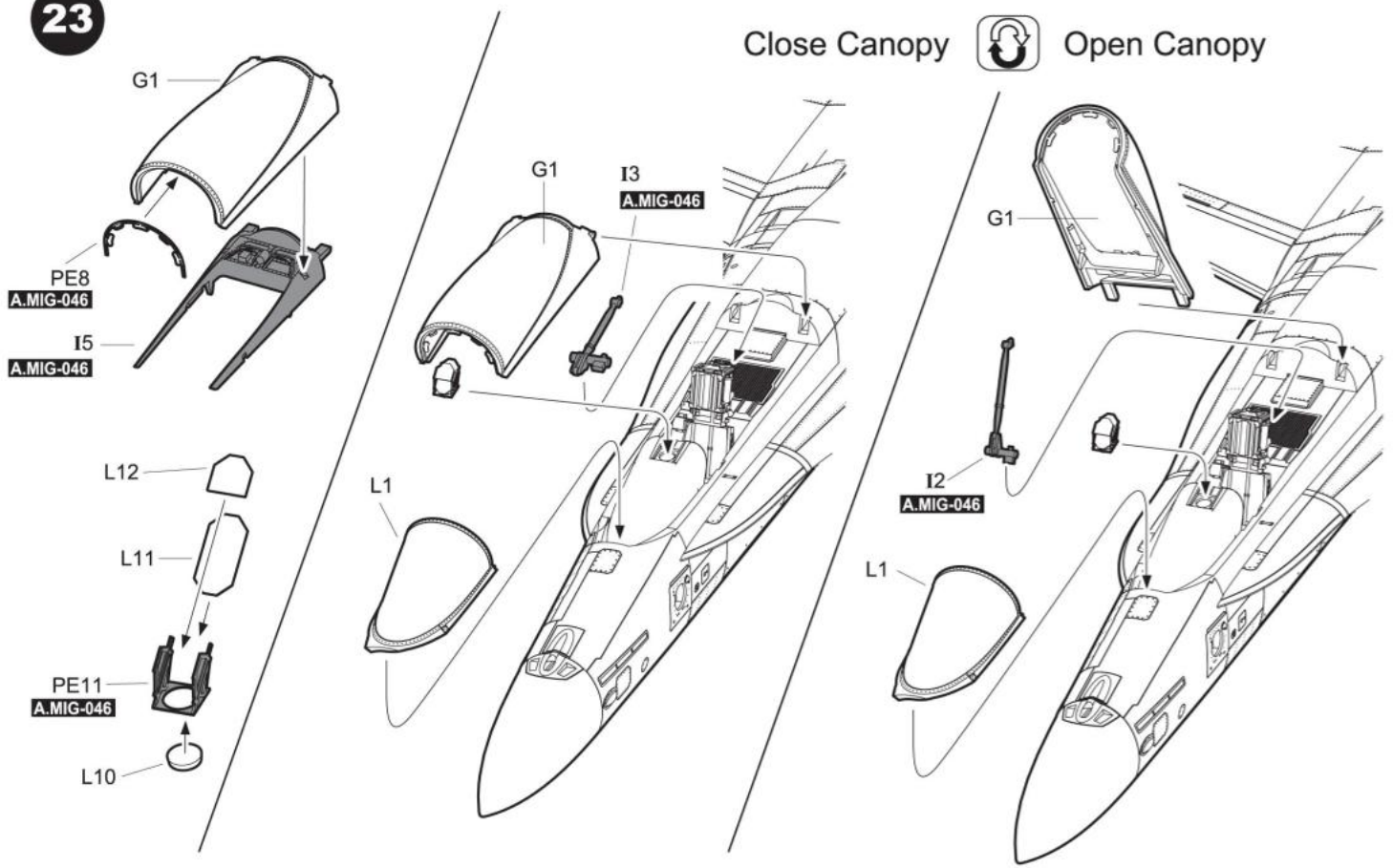
E86

F1

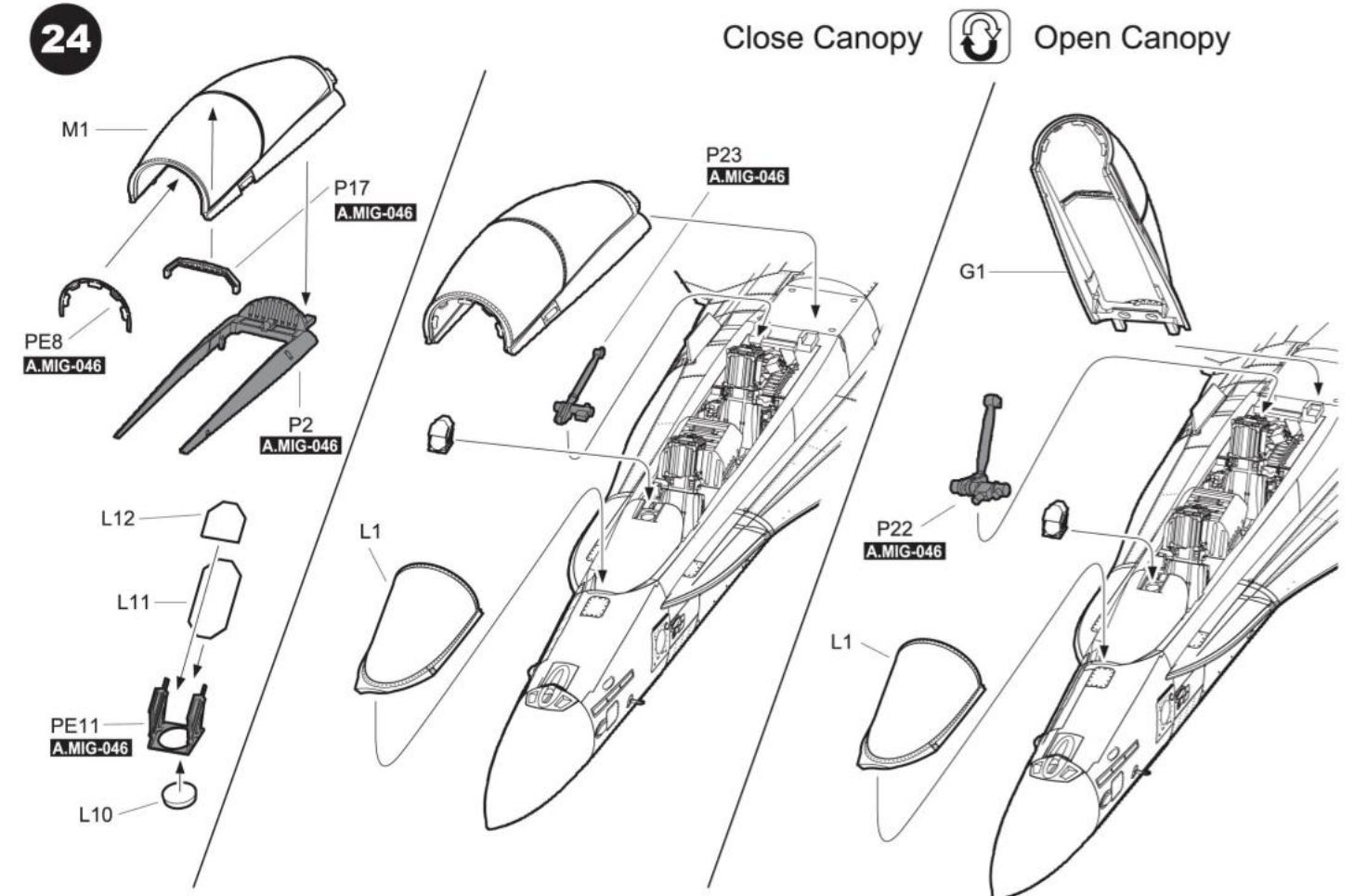
P4

F/A-18D

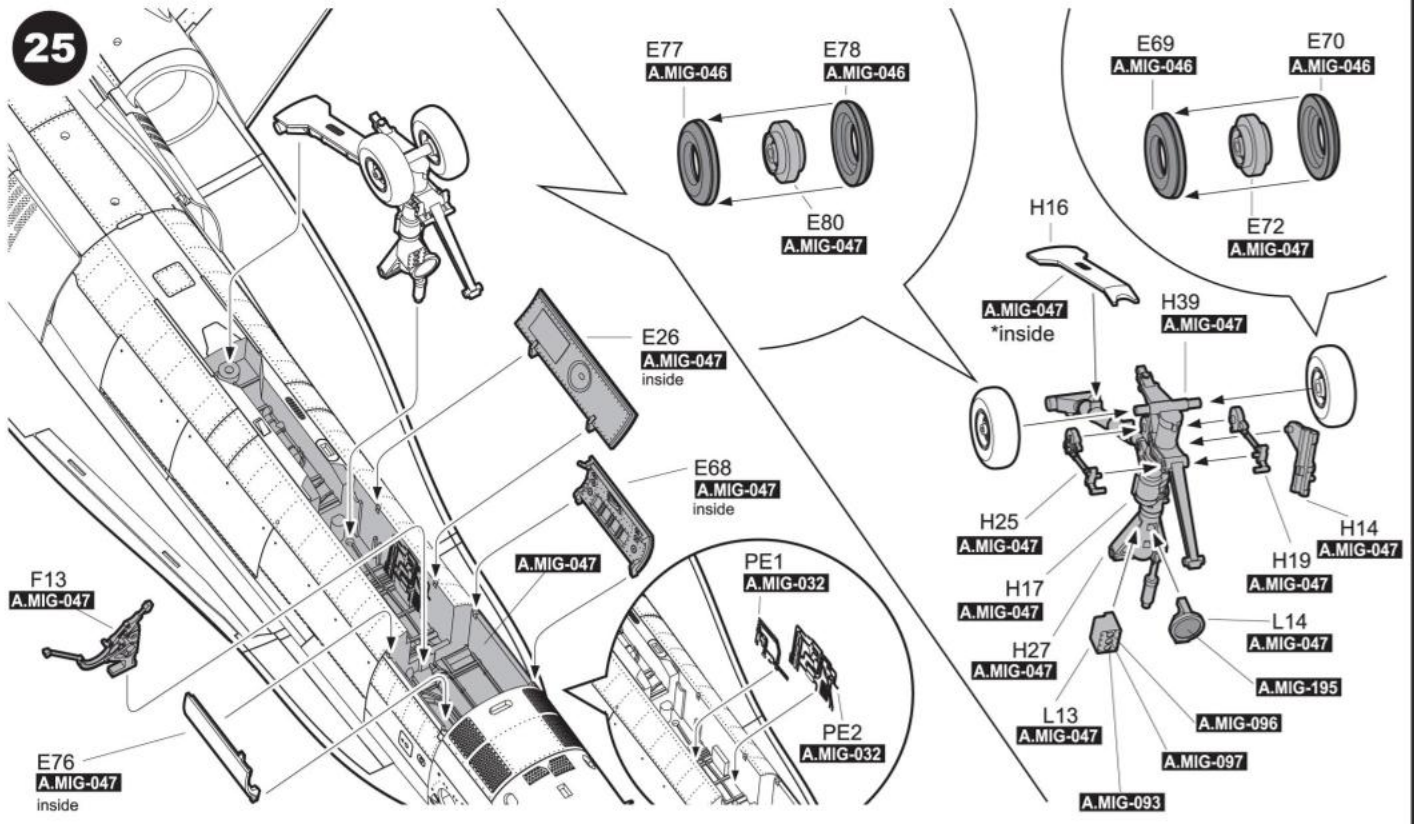
23



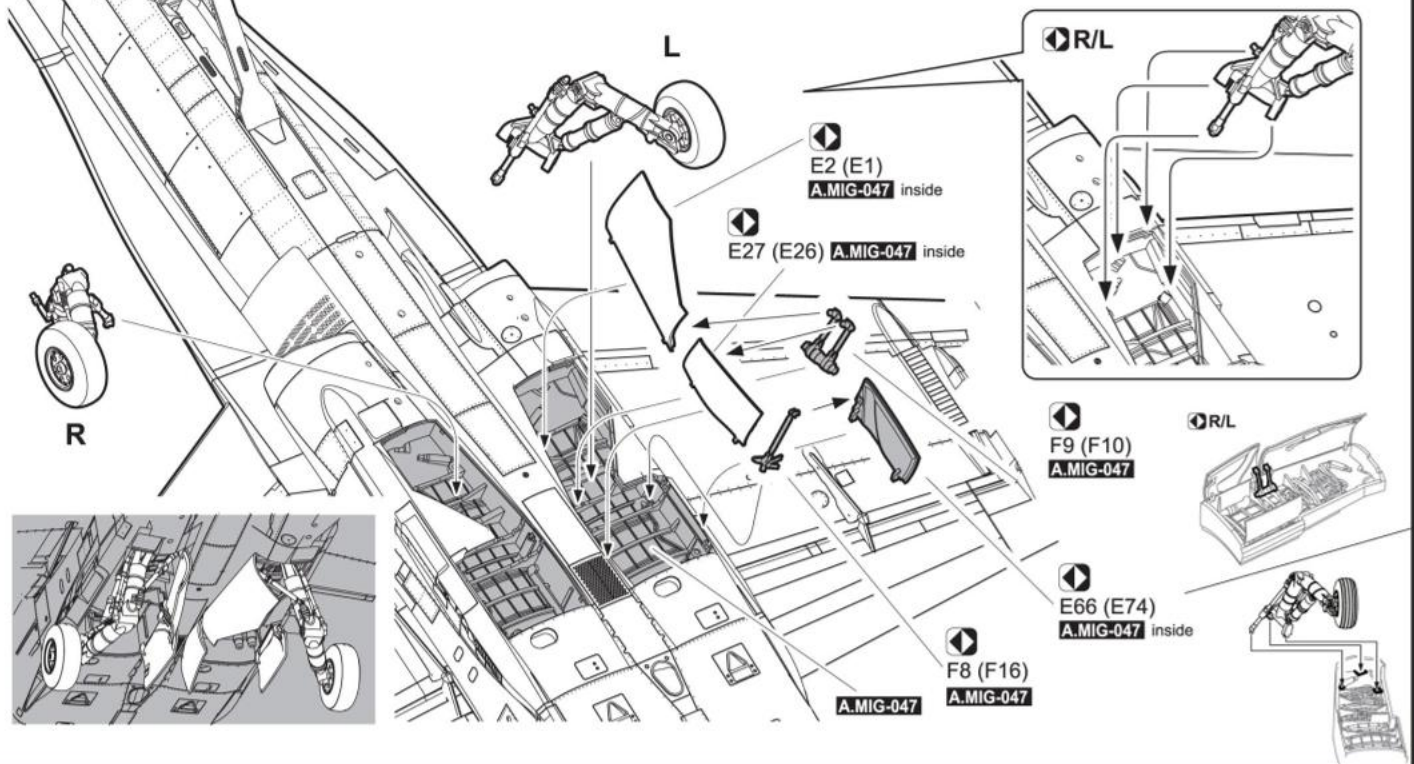
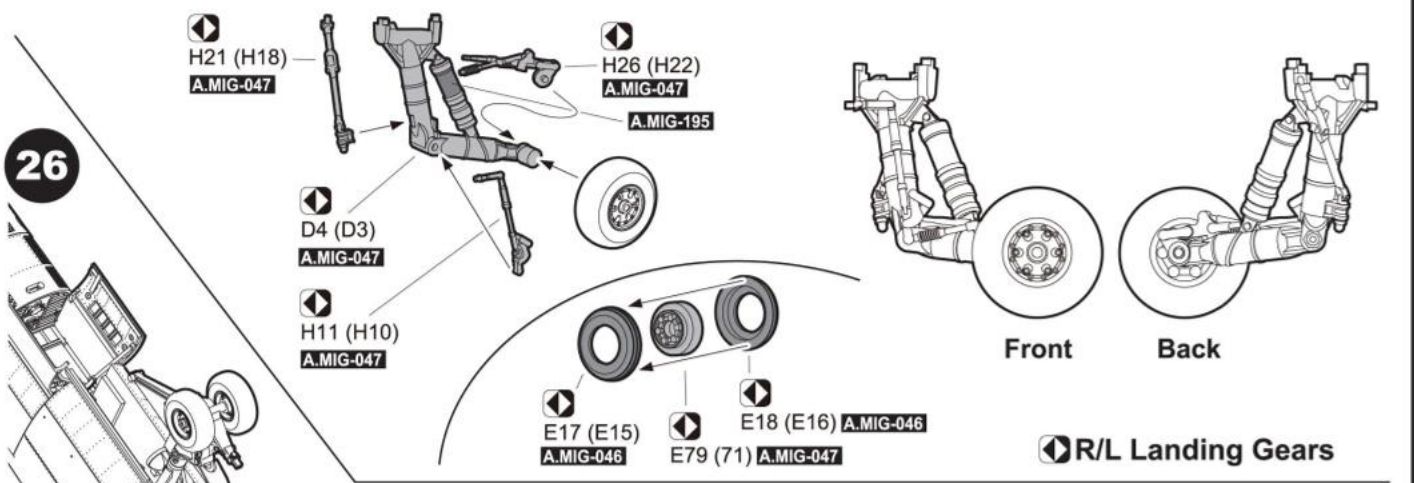
24



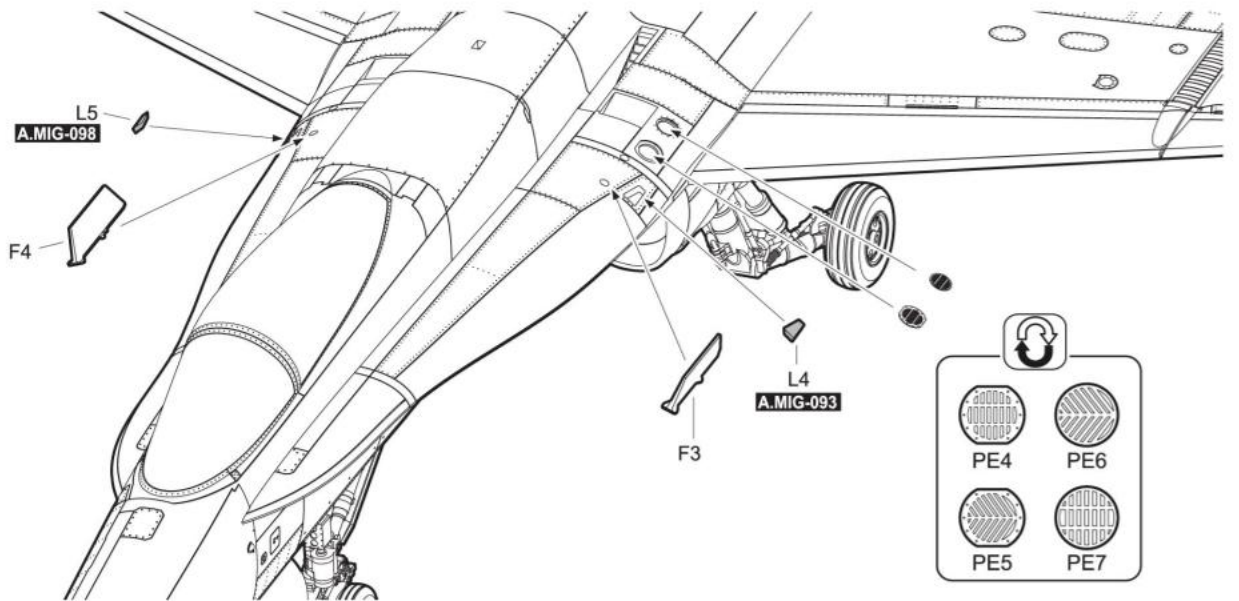
25



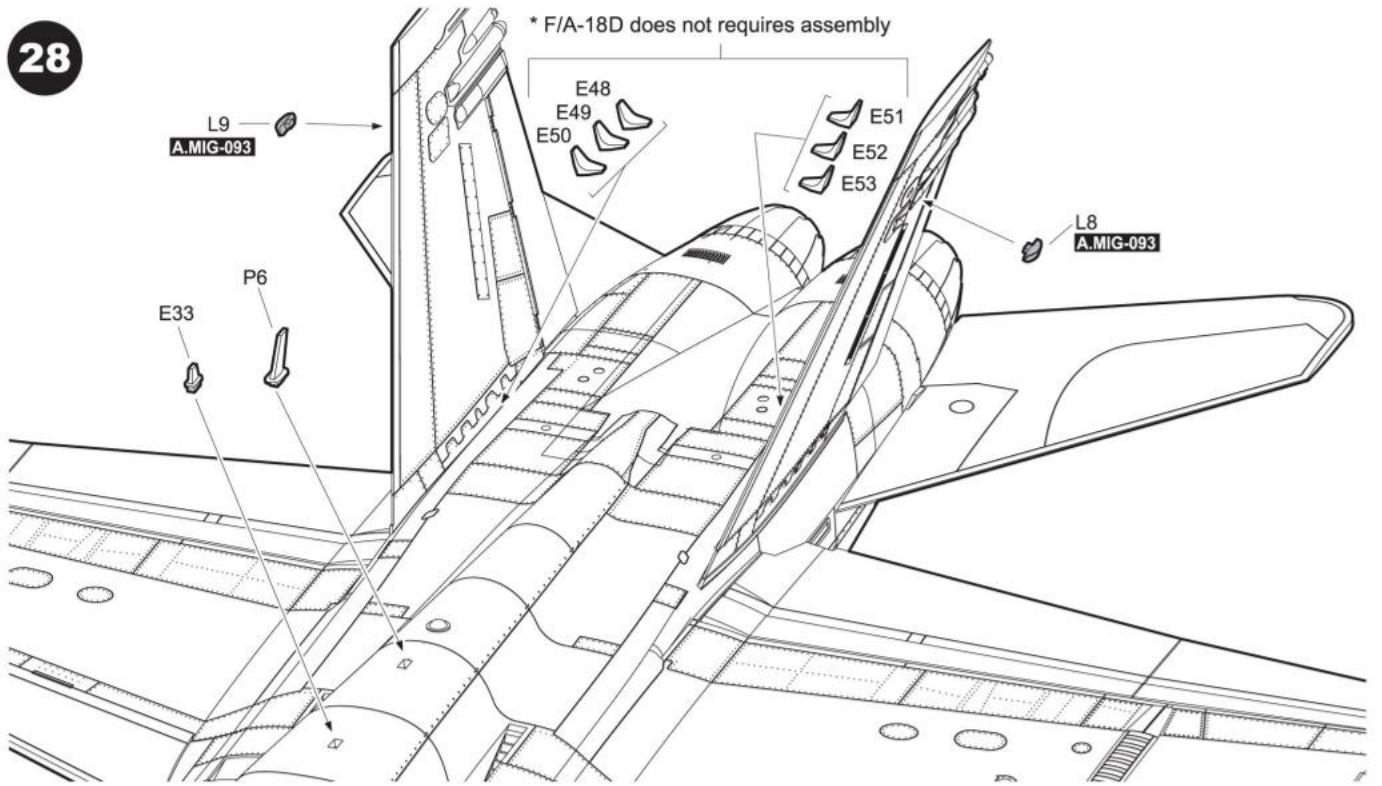
26



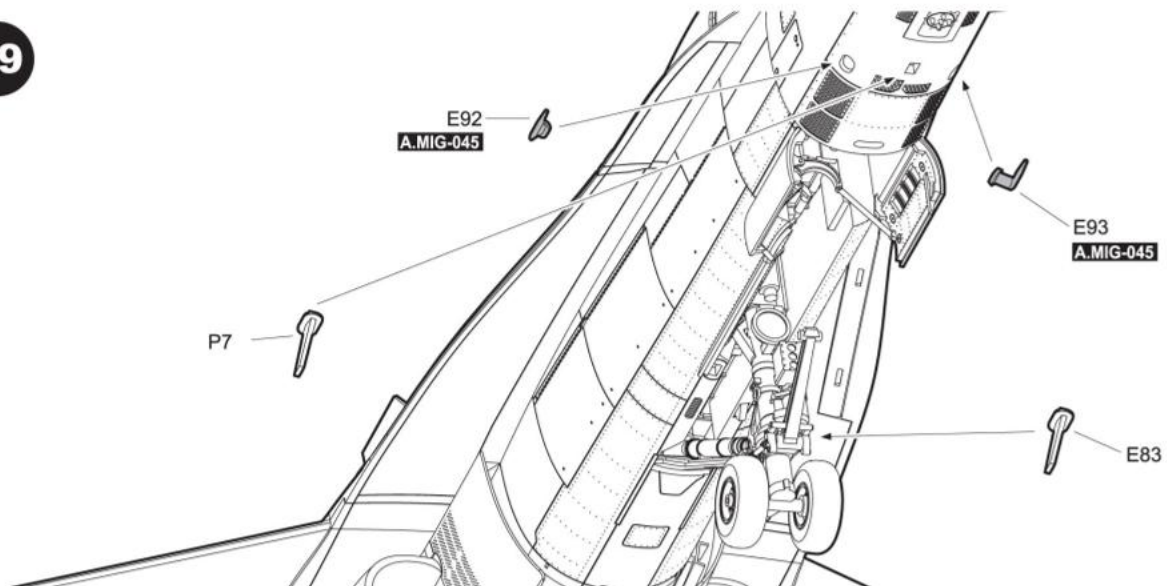
27



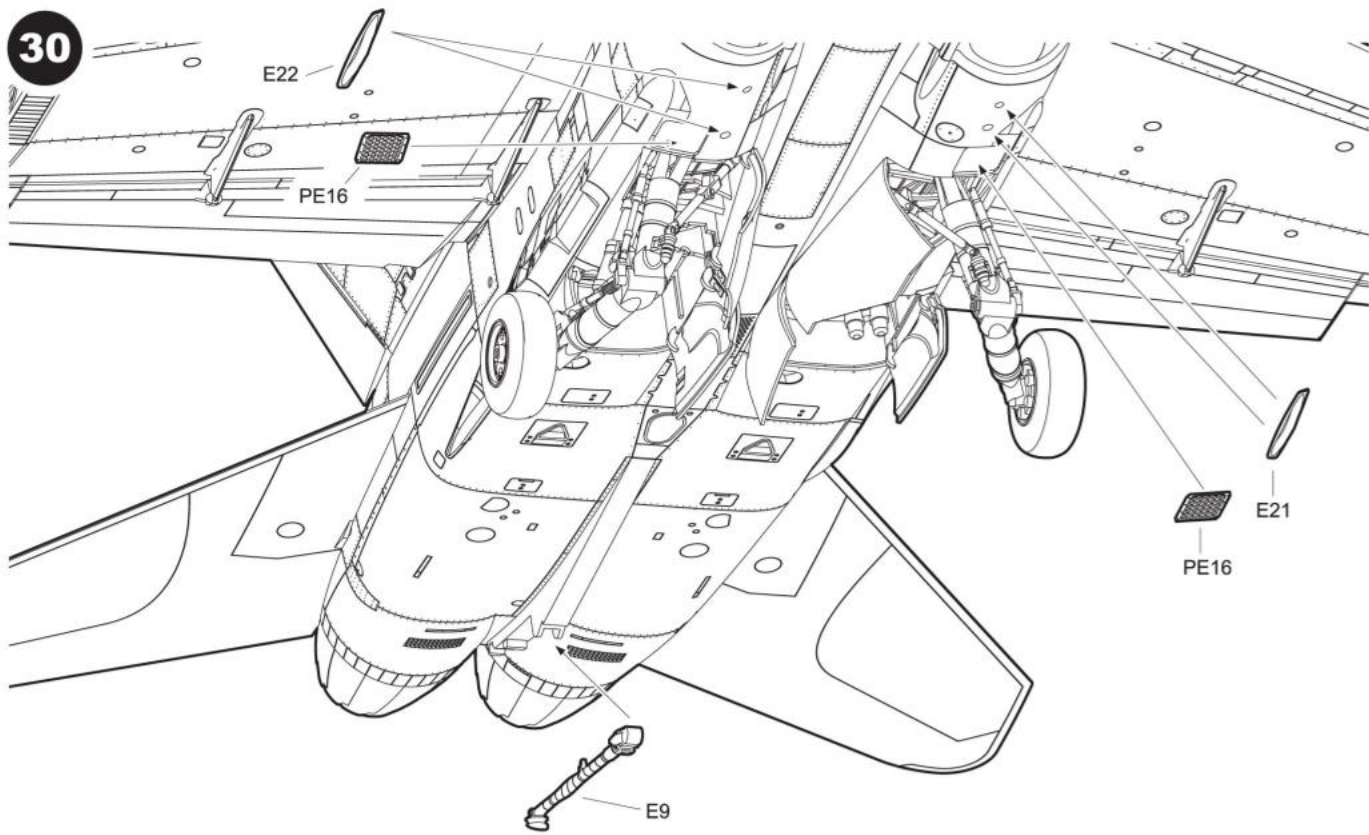
28



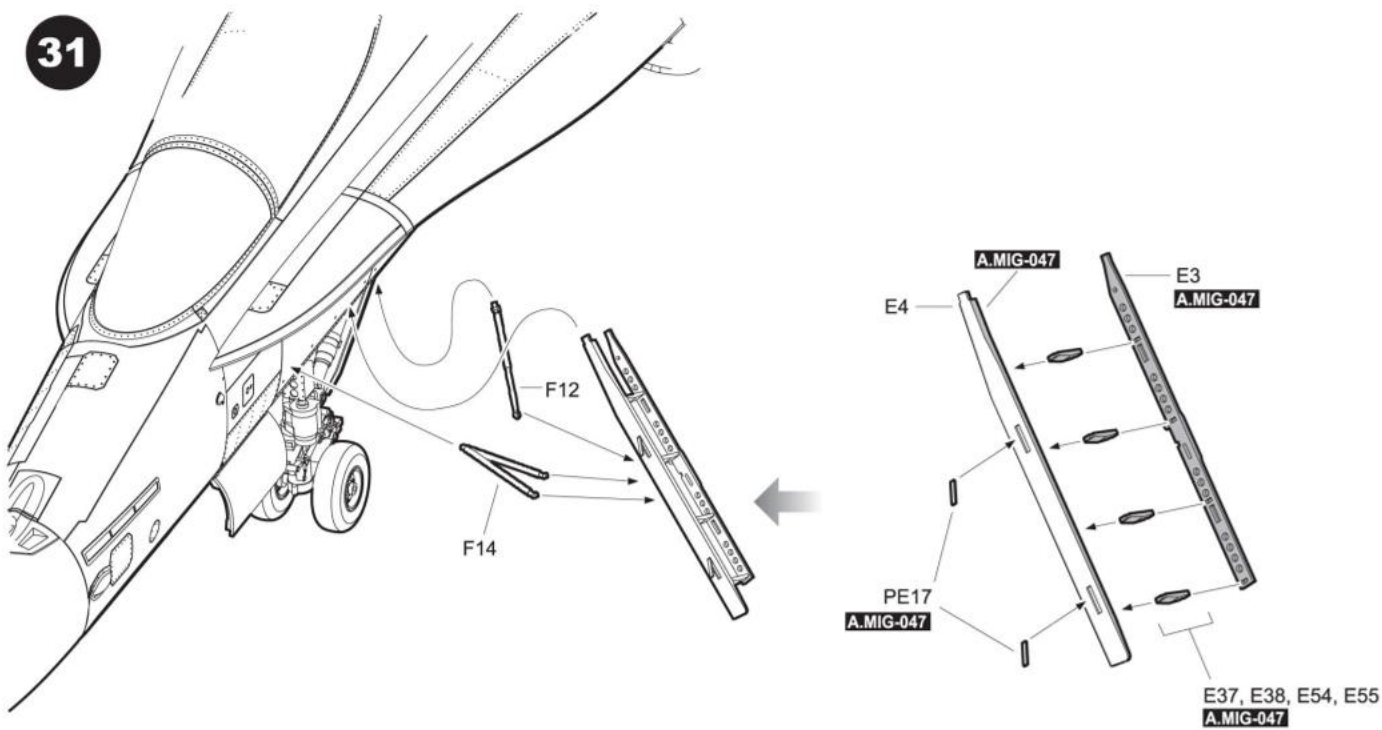
29

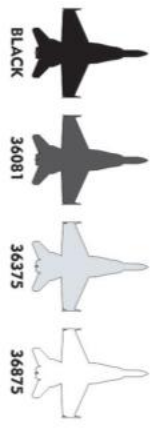


30

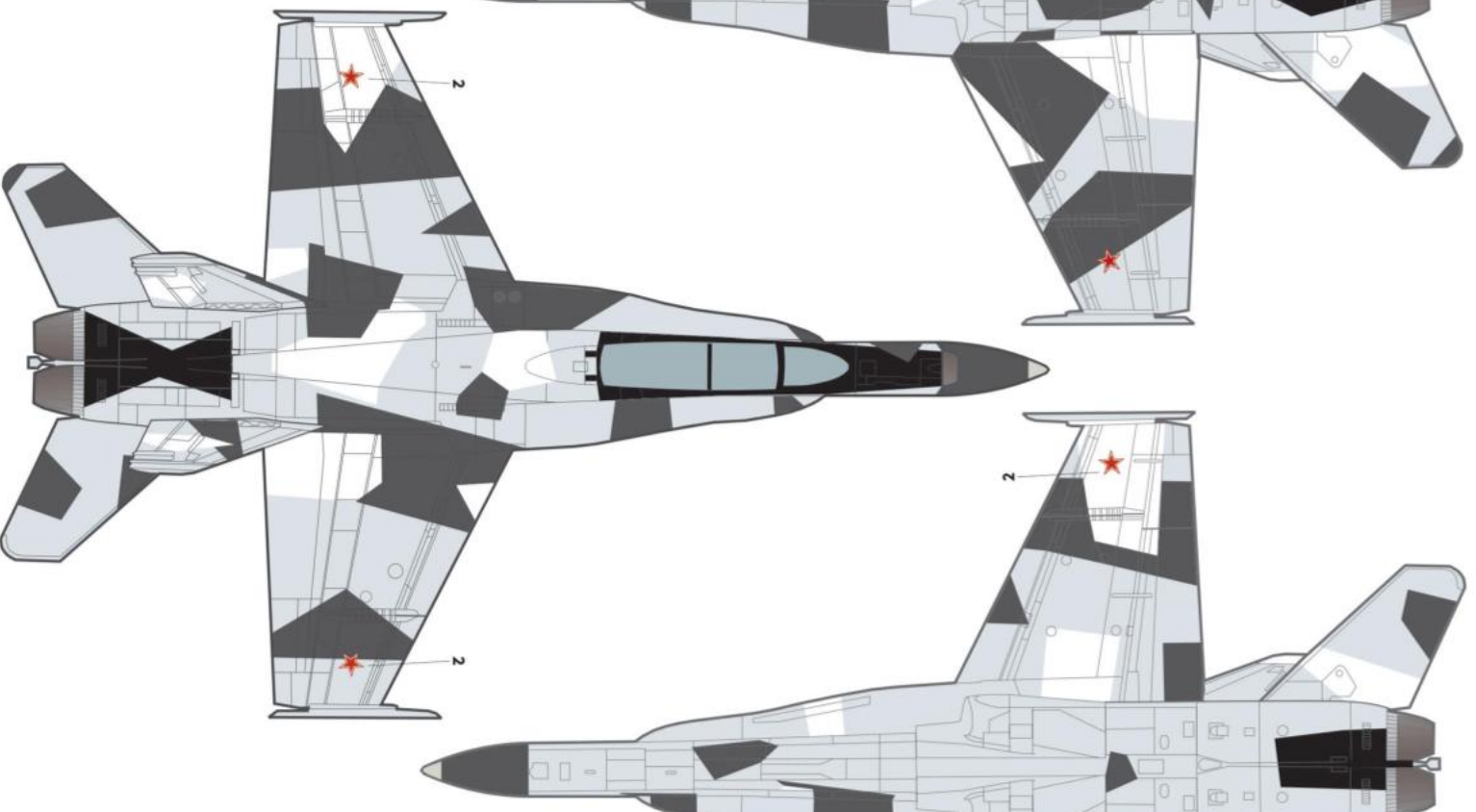


31

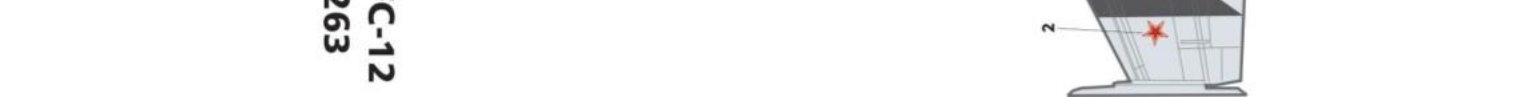


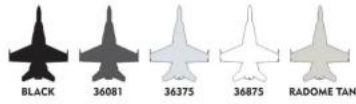


F/A-18A VFC-12
BUNO 162831
2012

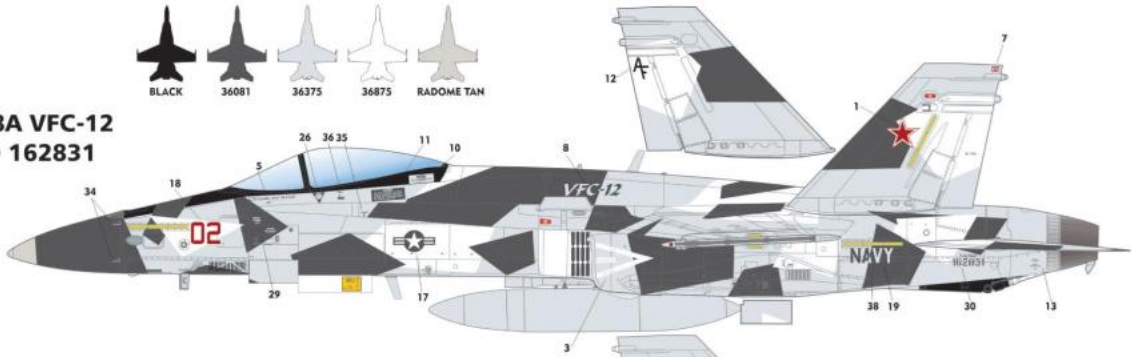


F/A-18D VFC-12
BUNO 164263
2019

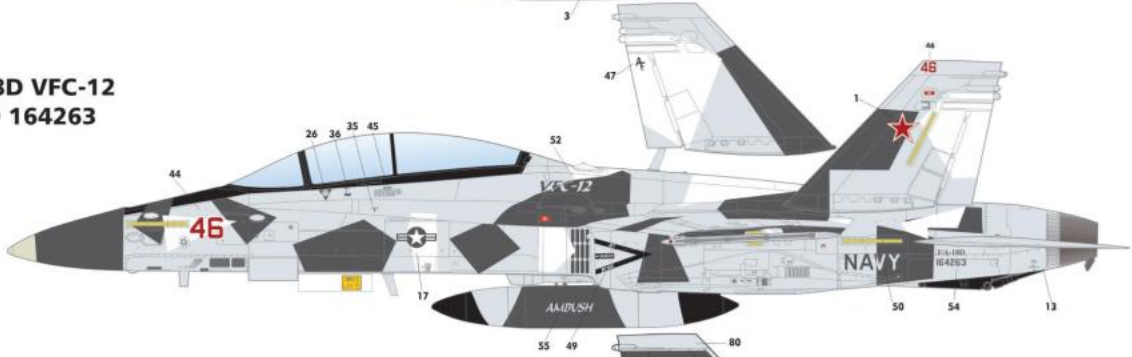




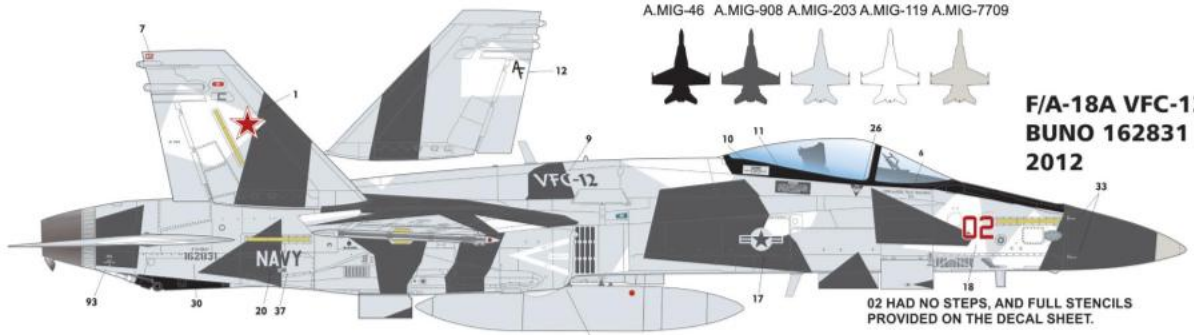
F/A-18A VFC-12
BUNO 162831
2012



F/A-18D VFC-12
BUNO 164263
2019



F/A-18C VFA-204
BUNO 164264
2019

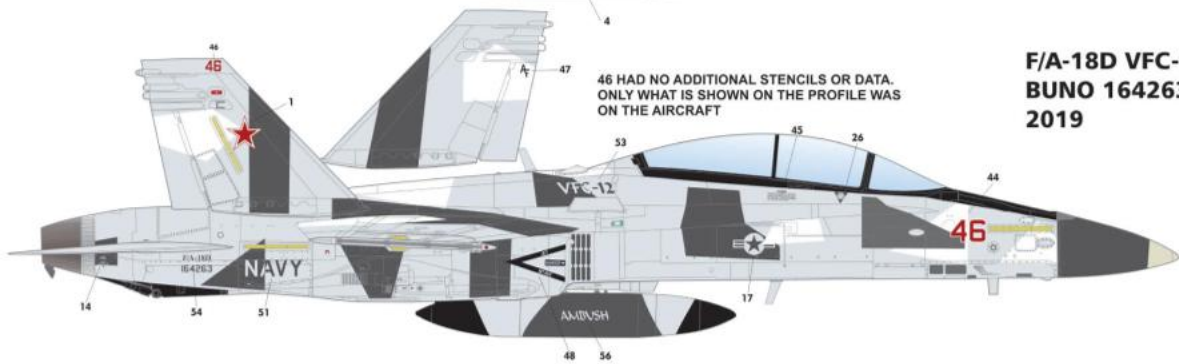


A.MIG-46 A.MIG-908 A.MIG-203 A.MIG-119 A.MIG-7709



F/A-18A VFC-12
BUNO 162831
2012

02 HAD NO STEPS, AND FULL STENCILS PROVIDED ON THE DECAL SHEET.



46 HAD NO ADDITIONAL STENCILS OR DATA. ONLY WHAT IS SHOWN ON THE PROFILE WAS ON THE AIRCRAFT

F/A-18D VFC-12
BUNO 164263
2019



F/A-18C VFA-204
BUNO 164264
2019