

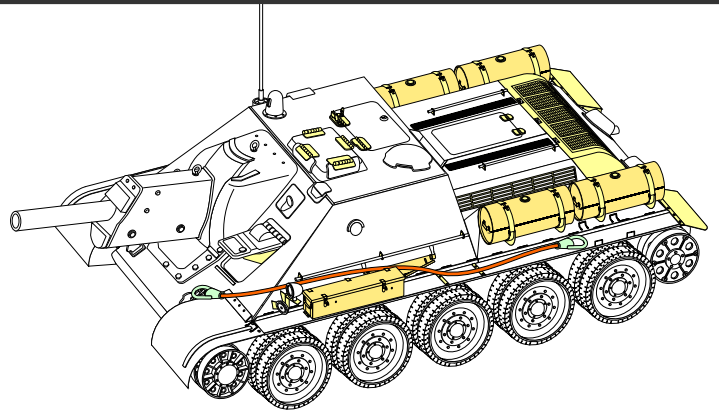
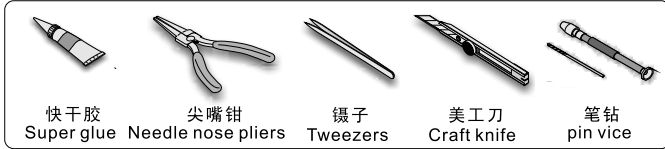
1/35 MILITARY MINIATURE VEHICLE UPGRADE SERIES PE35886

# WWII Russia SU-122 Basic

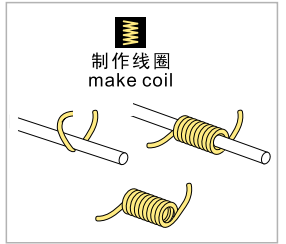
## 二战苏军SU-122自行火炮基本改造件

[For MINIART 35175 35181 35197]

### 推荐使用工具 RECOMMENDED TOOLS



- ↑  
安装  
install
- ↩  
折叠  
bend
- A1**  
改造件零件编号  
PE/resin part number
- B12**  
原零件编号  
kit part number
- C22**  
被替换的原零件编号  
replaced kit part number
- ⬇  
用尖端在凹槽处冲压  
use penpoint to press on the dent
- ✂  
切除  
remove
- ◀▶  
另一侧相同制作  
repeat on opposite side
- ⤵  
弧度卷曲  
radial bending
- x2  
制作若干组  
multiple assembly
- ↔  
选择安装  
alternative
- ⚪  
钻孔  
drill
- 用胶棒制作  
make from plastic rod



**a**

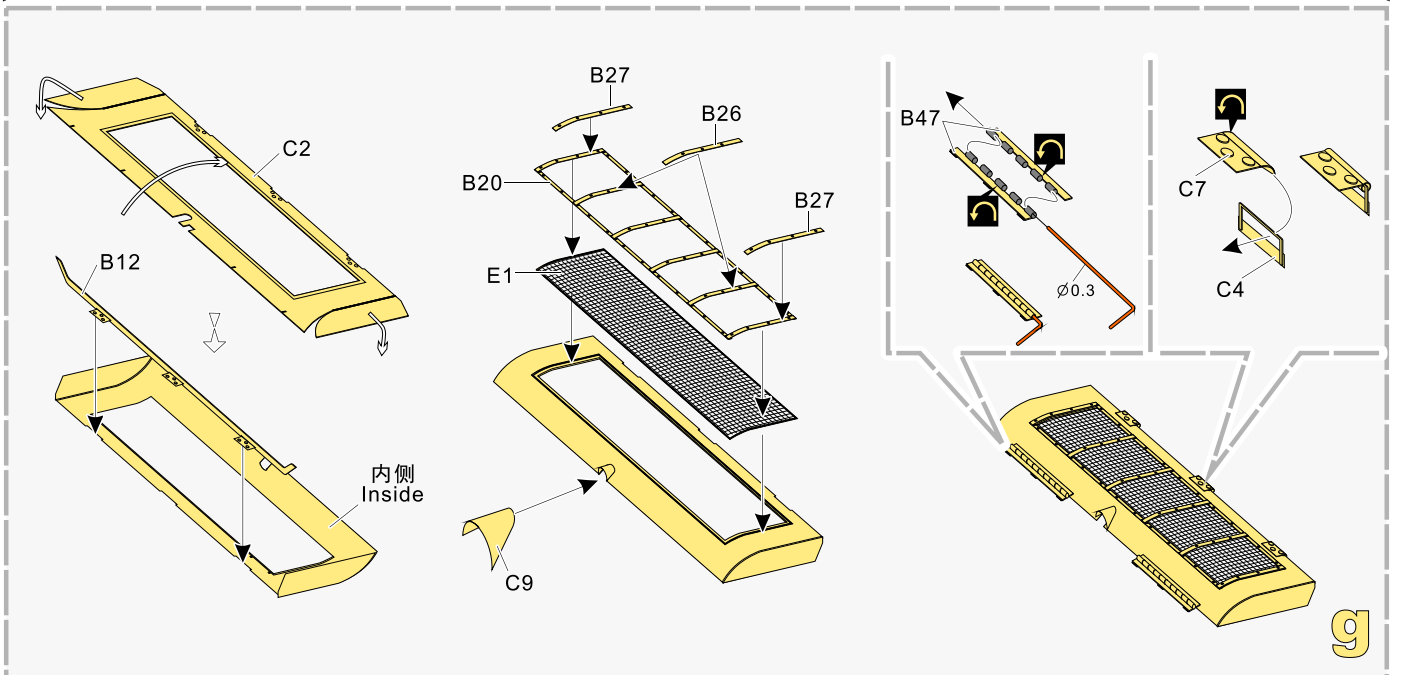
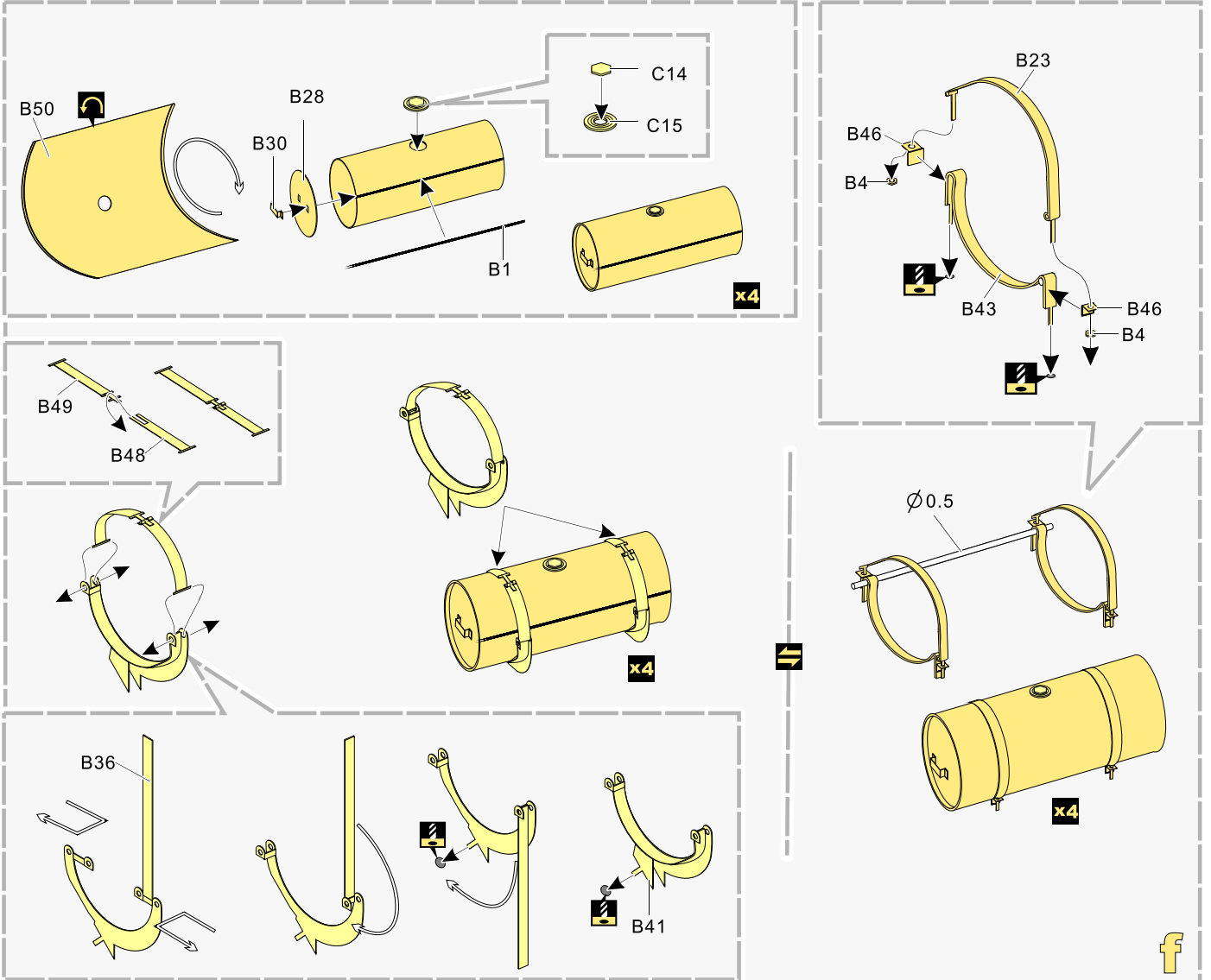
**b**

**c**

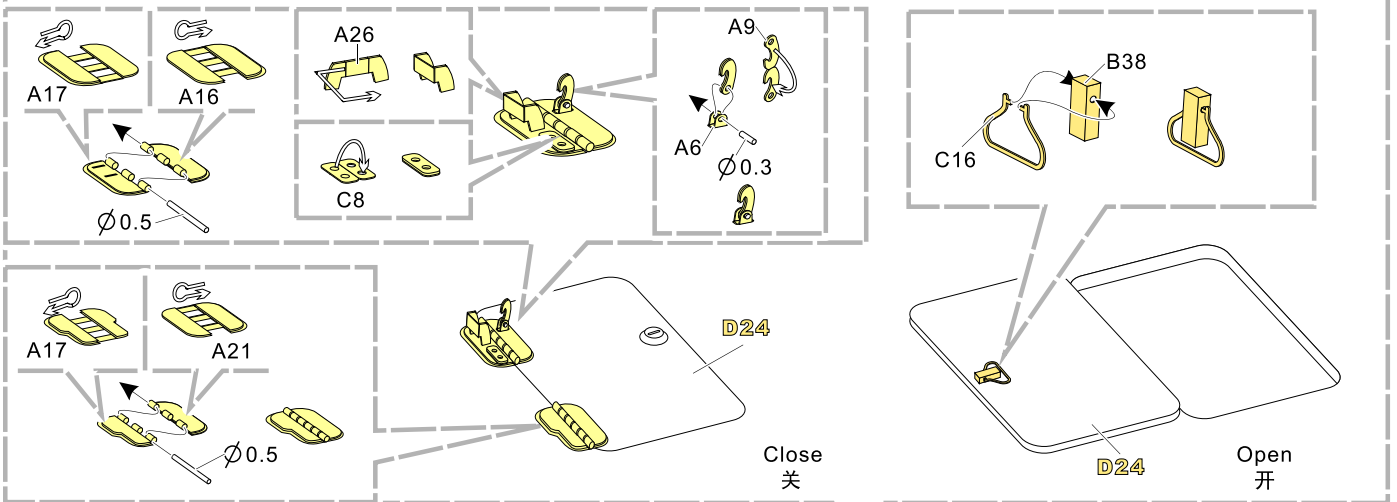
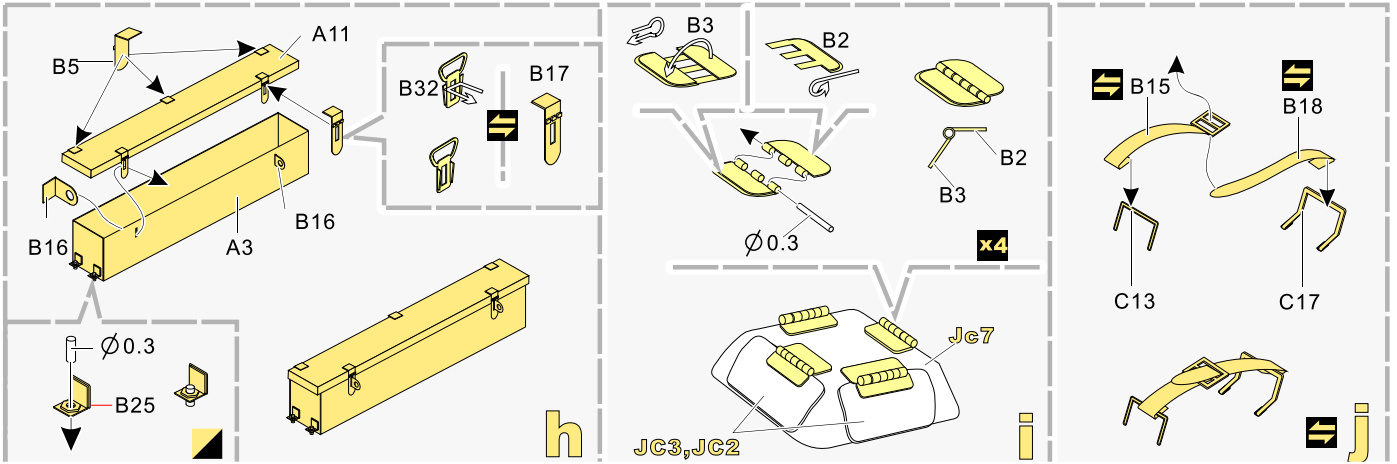
**d**

**e**

1/35 MILITARY MINIATURE VEHICLE UPGRADE SERIES PE35886



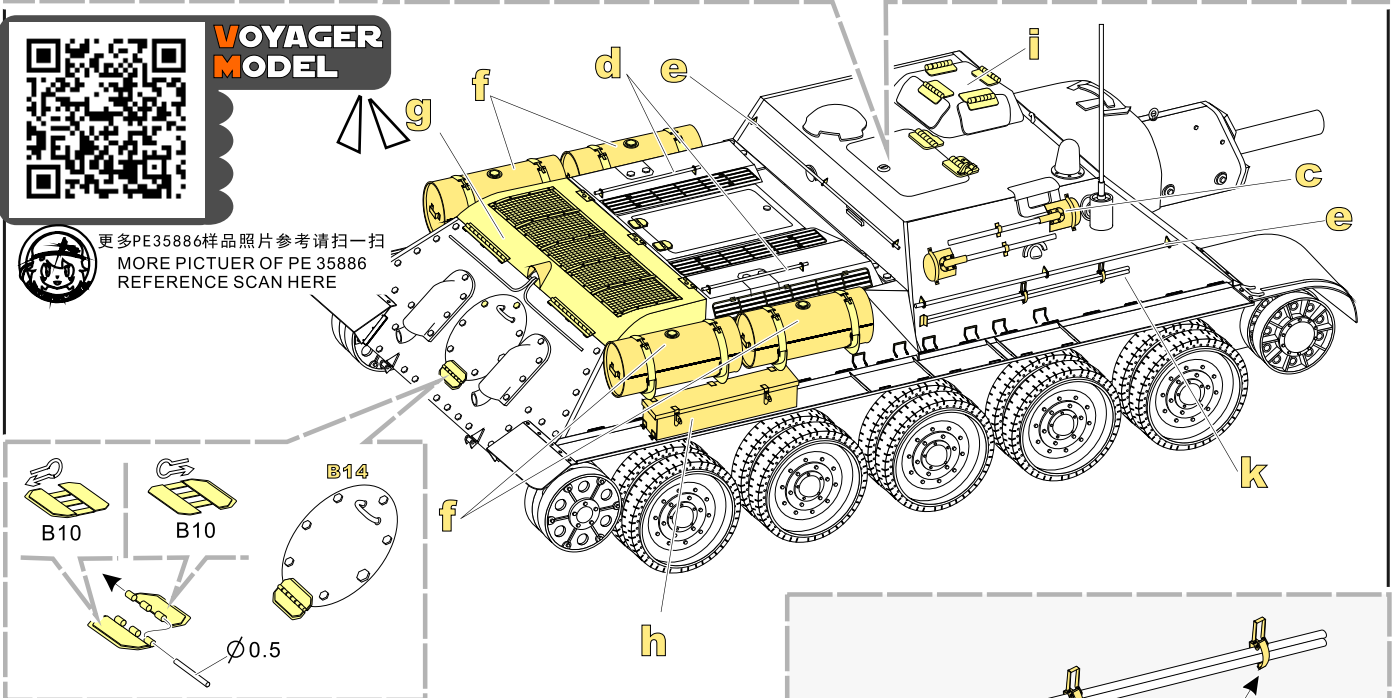
1/35 MILITARY MINIATURE VEHICLE UPGRADE SERIES PE35886



**VOYAGER  
MODEL**



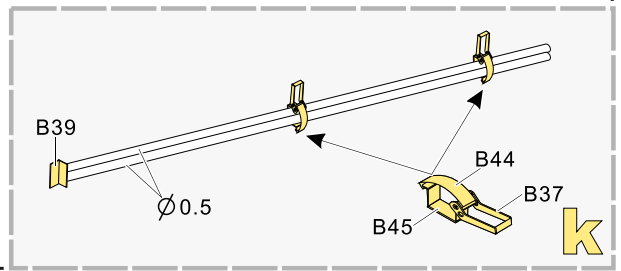
更多PE35886样品照片请参考扫一扫  
MORE PICTUER OF PE 35886  
REFERENCE SCAN HERE



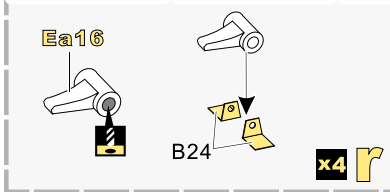
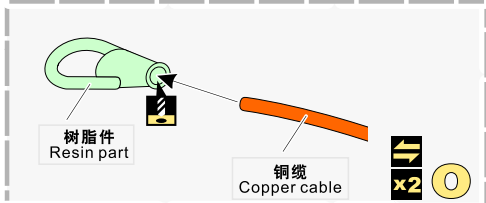
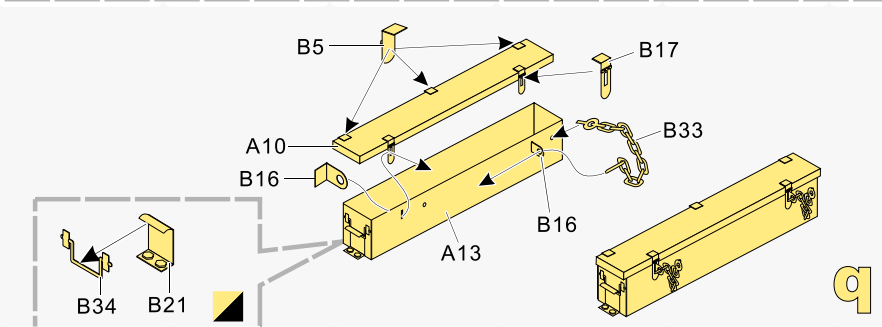
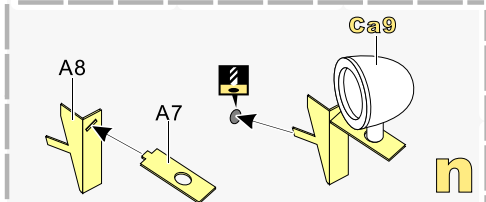
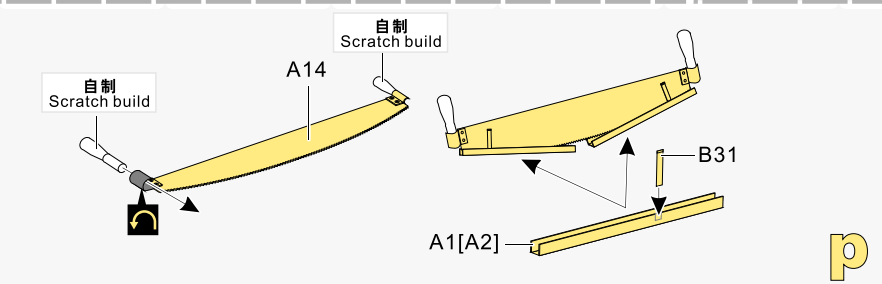
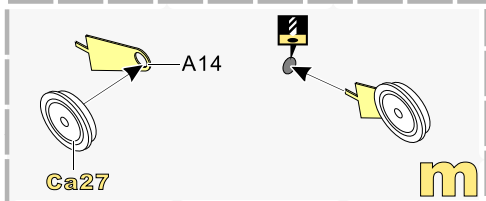
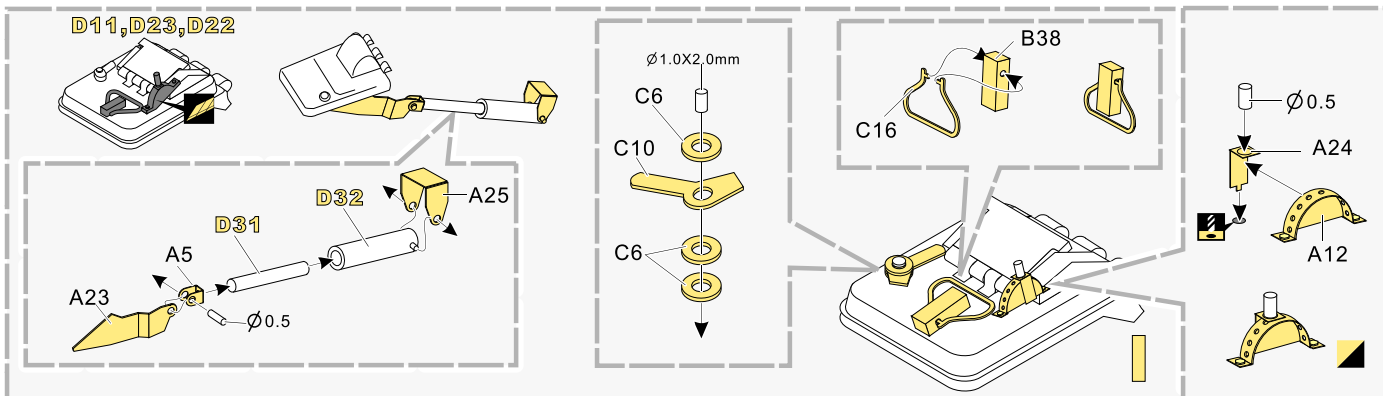
**VOYAGERMODEL®** 无微不至 极致享受

**Recommended item**

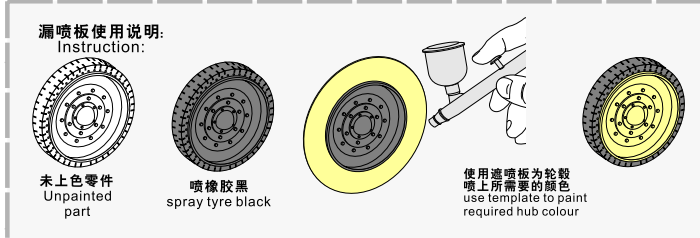
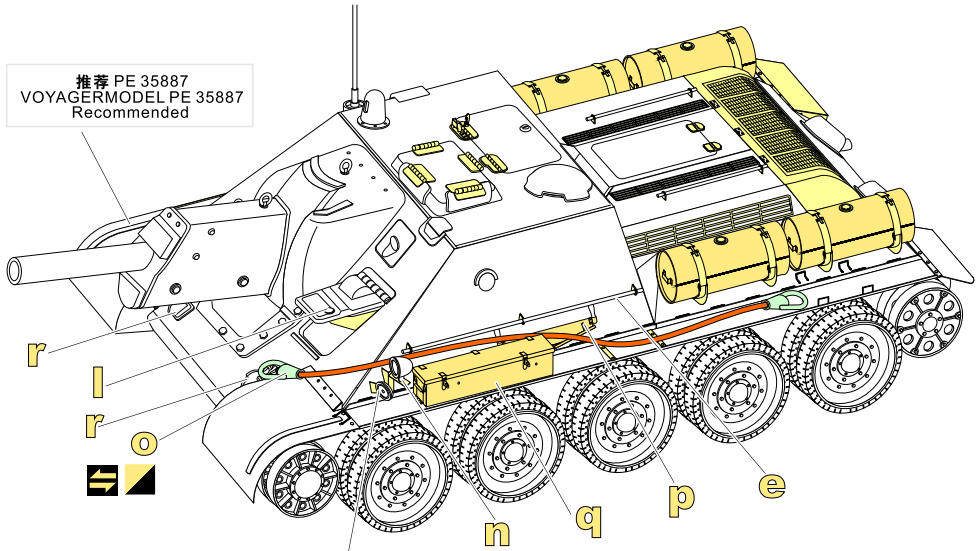
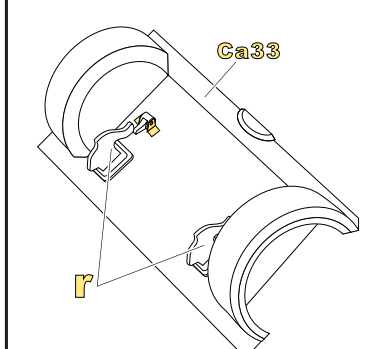
PE 35198	Russian JS-3 tank
PE 35343	WWII Russian JSU-152 basic
PE 35221	WWII Russian JS-2 tank Basic
PE 35749	Russian JS-7 Heavy Tank Basic



1/35 MILITARY MINIATURE VEHICLE UPGRADE SERIES PE35886



推荐 PE 35887  
VOYAGERMODEL PE 35887  
Recommended



**VOYAGERMODEL®** 无缝不至 极尽享受  
The Best Upgrade Solution

**Recommended item**

PE 35124	WWII Russian T-34/85 Mod. 1944
PE 35769	WWII Russian T-34/85 No.112 Factory Production Basic
PE 35181	WWII Russia T-34/76 STZ Mod. 1941 Basic
PE 35248	WWII Russian T-34/76 Mod. 1943
PE 35493	WWII Soviet SU-152 late production basic
PE 35534	WWII Soviet SU-152 basic
PE 35887	WWII Russia SU-122 fenders
PE 35844	WWII Russian T-44 Medium Tank Early Version Basic
PE 35152	WWII Russia SU-85M/SU-100