





S-3A (US-3A) 157998

COD AIRCRAFT ASSIGNED OF U.S.S. CONSTELLATION

WHITE

LOWER SURFACES OF FUSELAGE, LOWER WINGS, STABILIZERS, MOVABLE CONTROLS, FLAPS, FUEL TANKS AND RADOME.

LT. GULL GRAY FS36440

UPPER SURFACES EXCEPT MOVABLE CONTROLS AND STABILIZERS

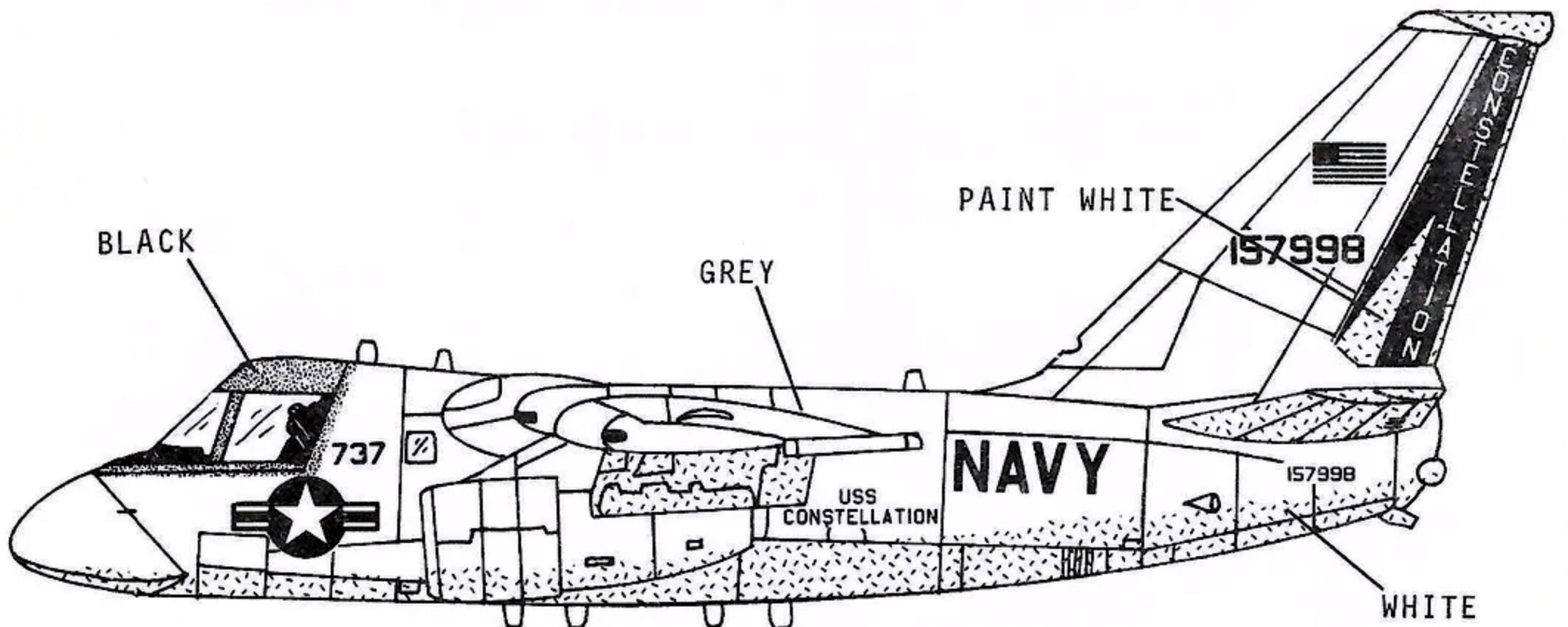
BLACK

ANTI GLARE PANEL

NATIONAL INSIGNIAS

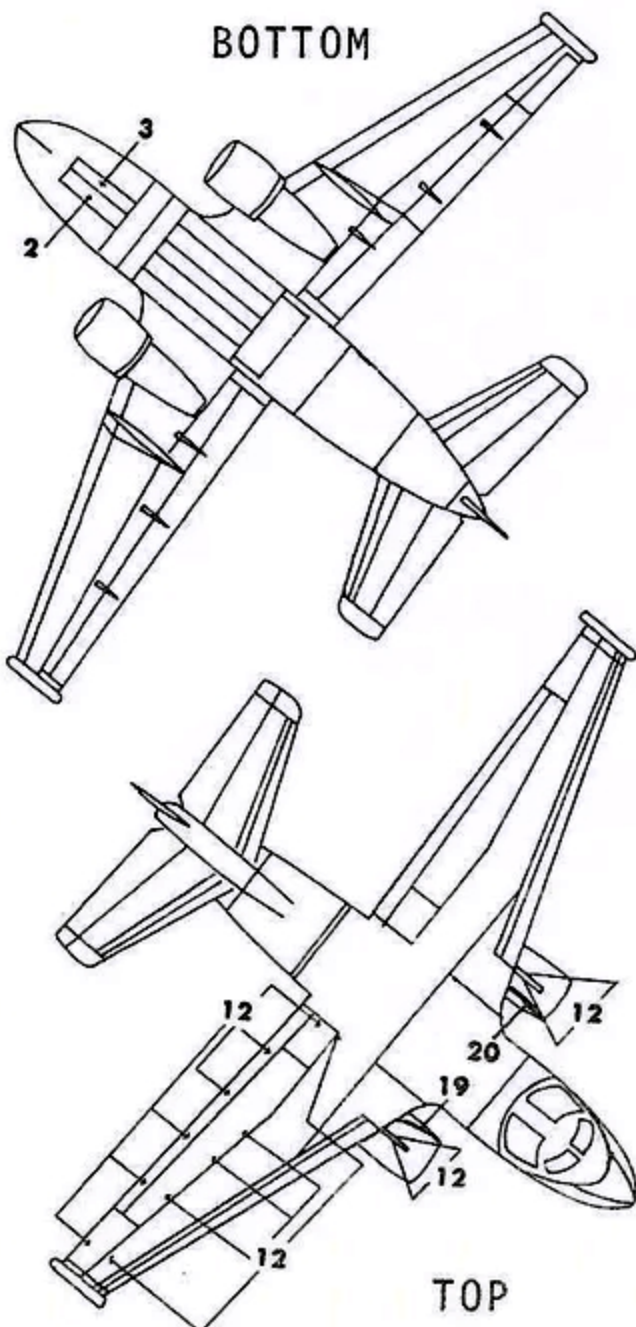
UPPER PORT AND LOWER STARBOARD WINGS 35"

FUSELAGE 30"

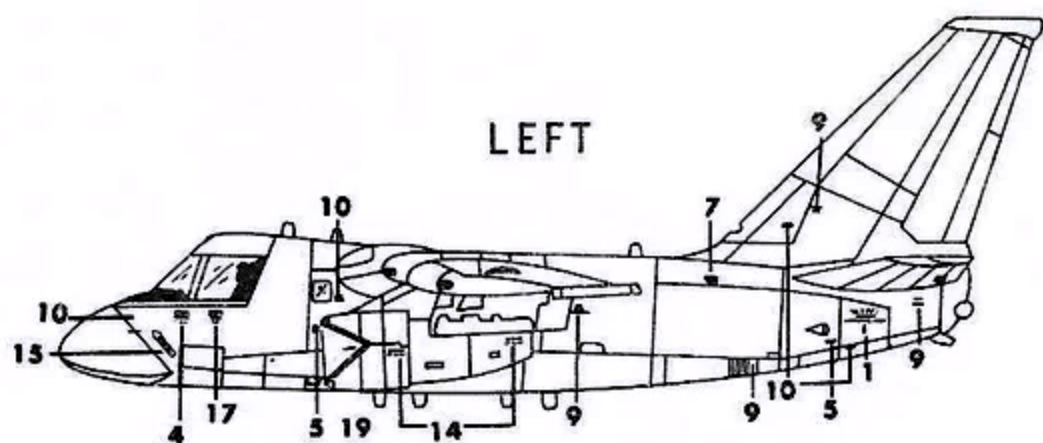


BOTTOM

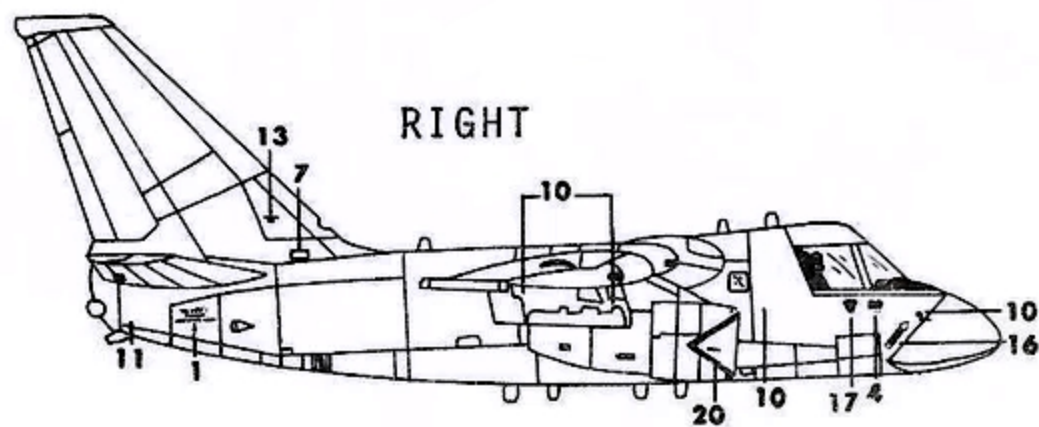
DATA PLACEMENT COMMON TO S-3A's



LEFT



RIGHT



TOP