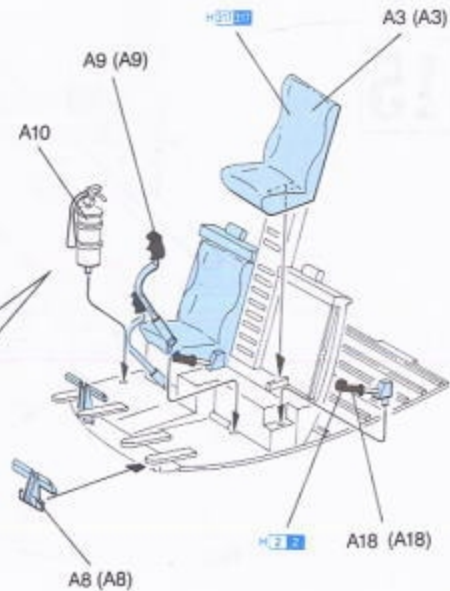
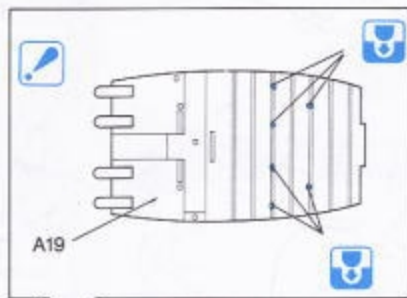
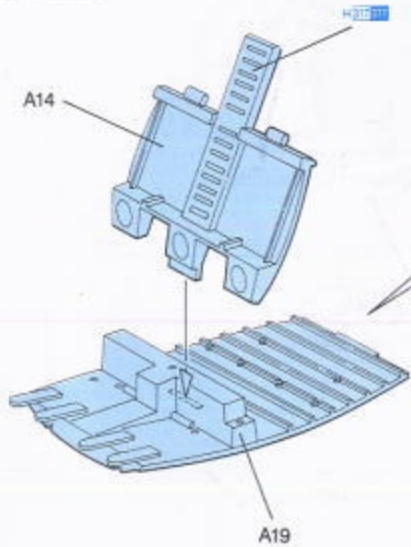
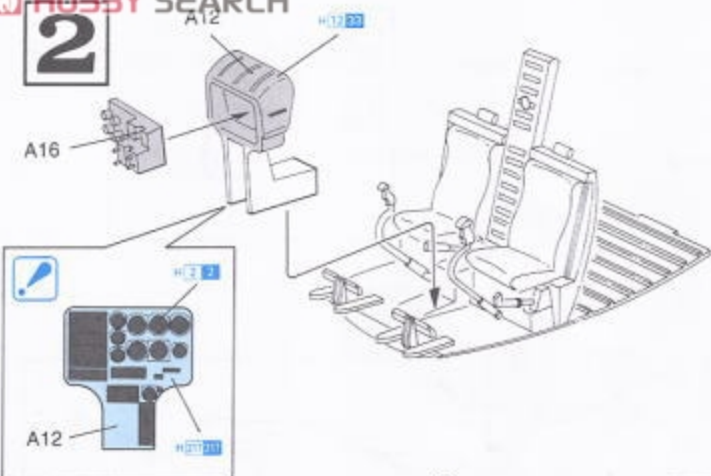


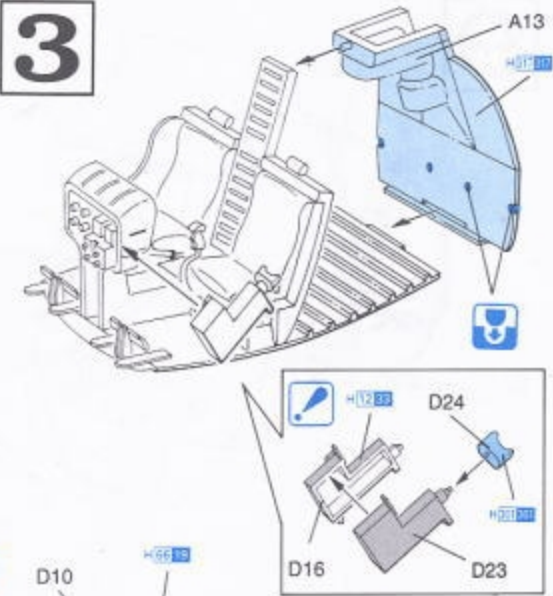
1



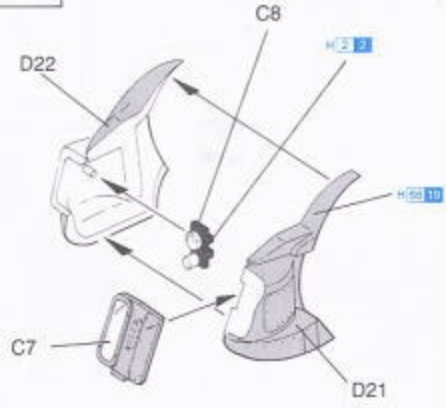
2



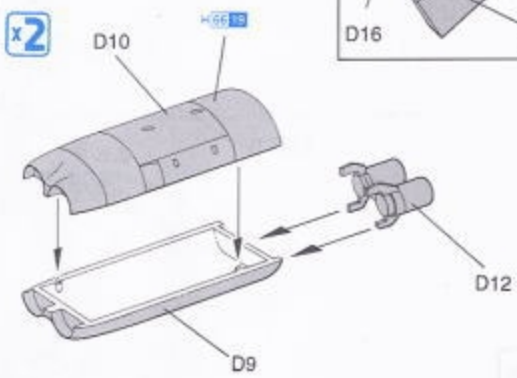
3



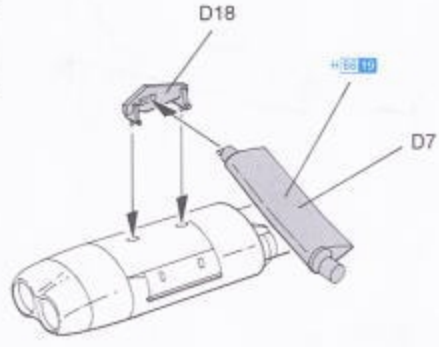
4



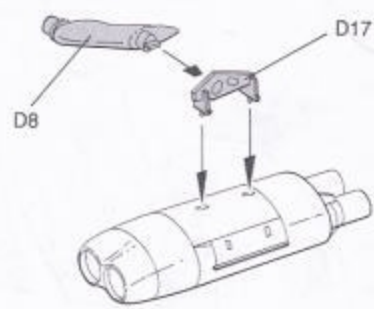
5



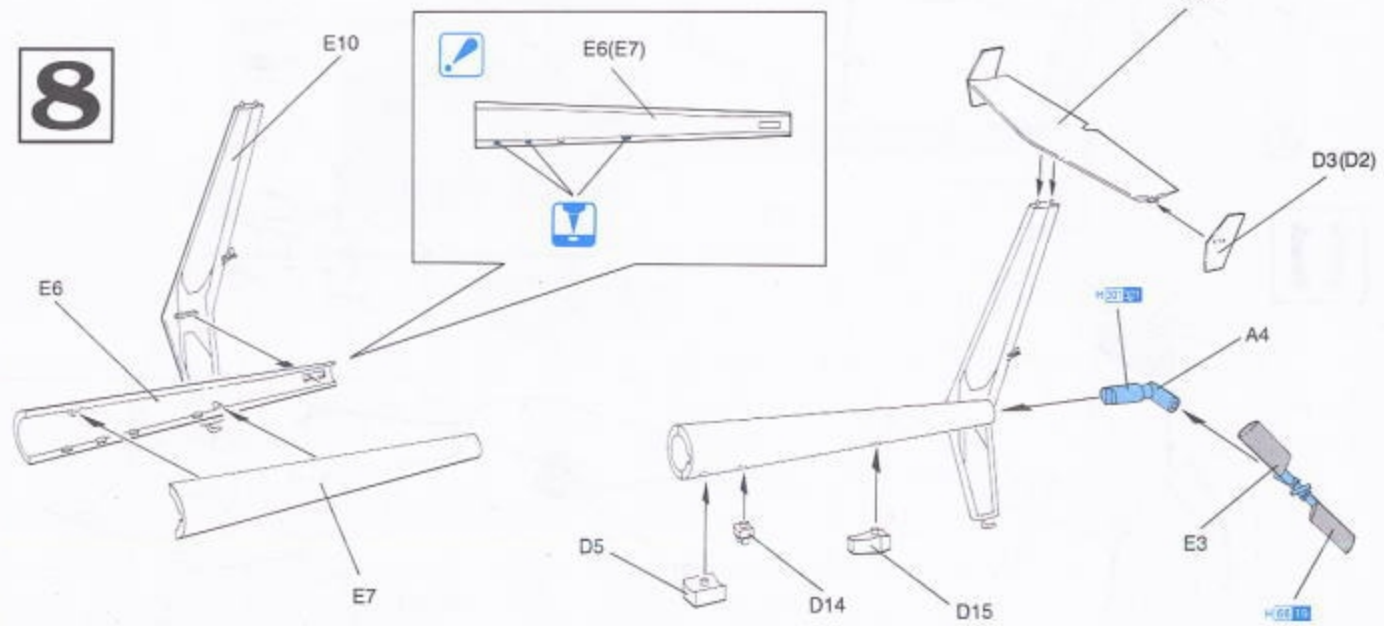
6



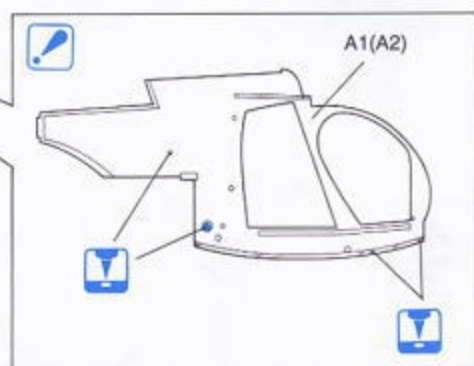
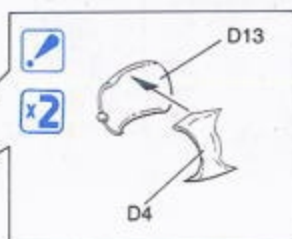
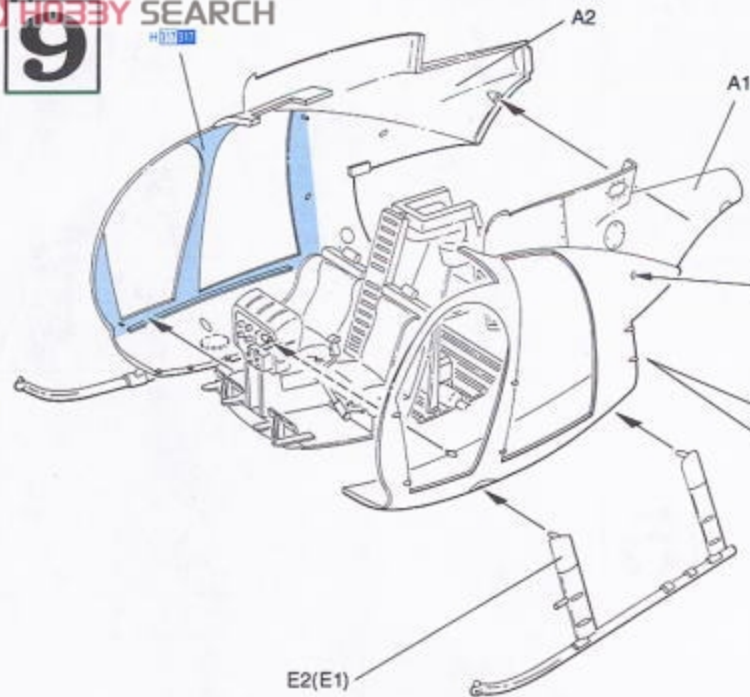
7



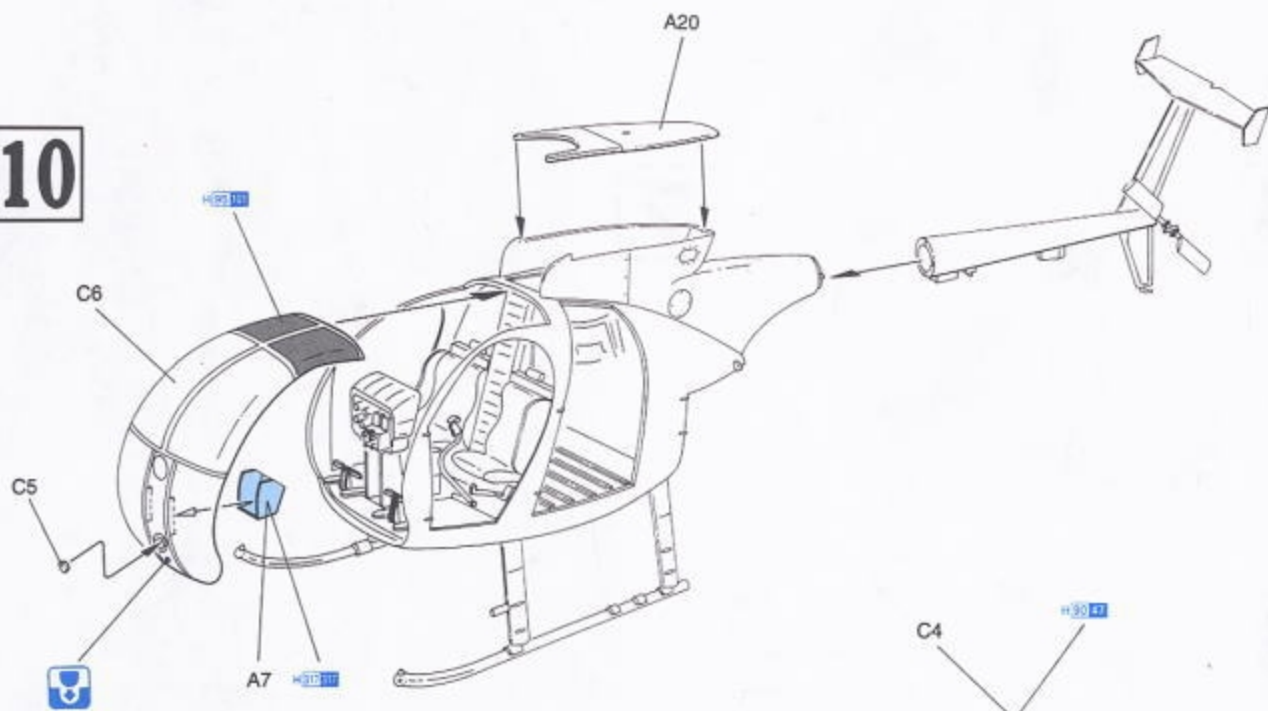
8



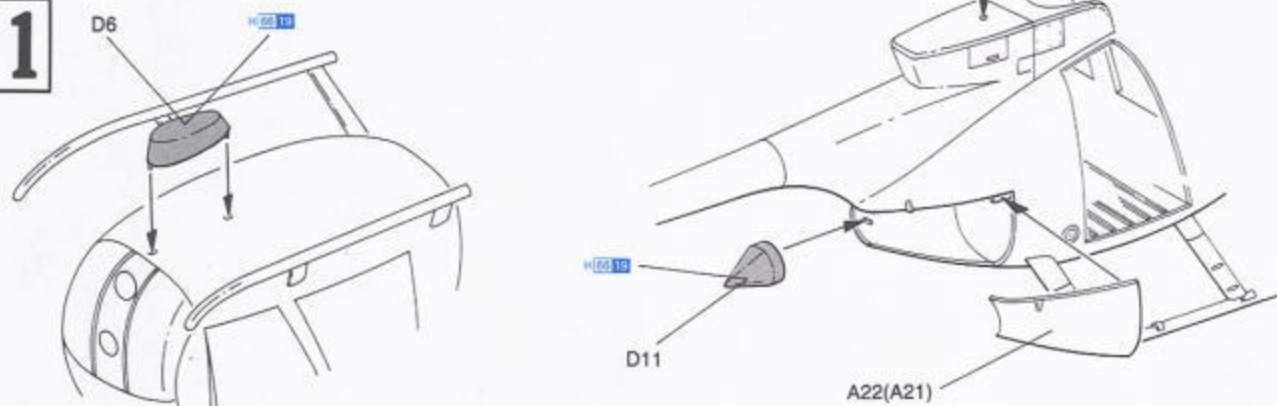
9



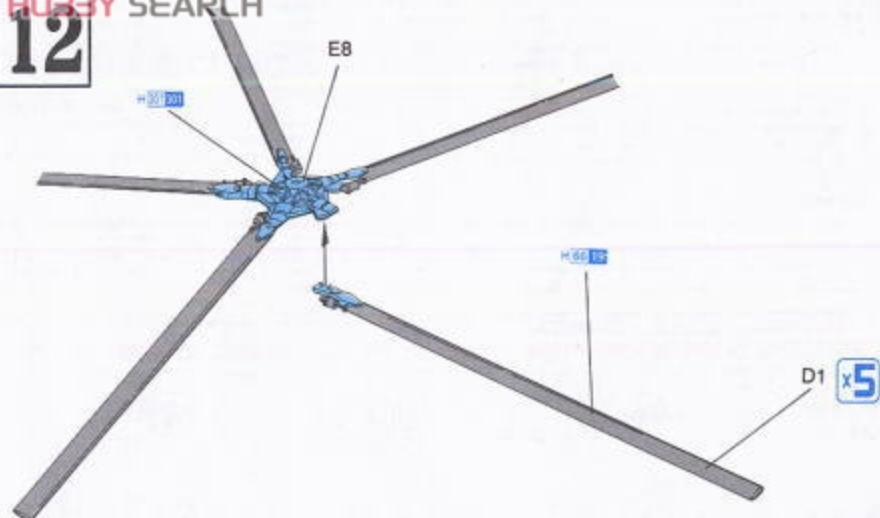
10



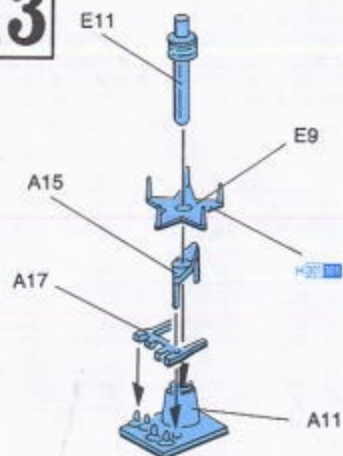
11



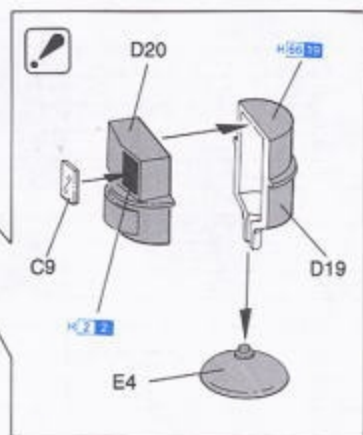
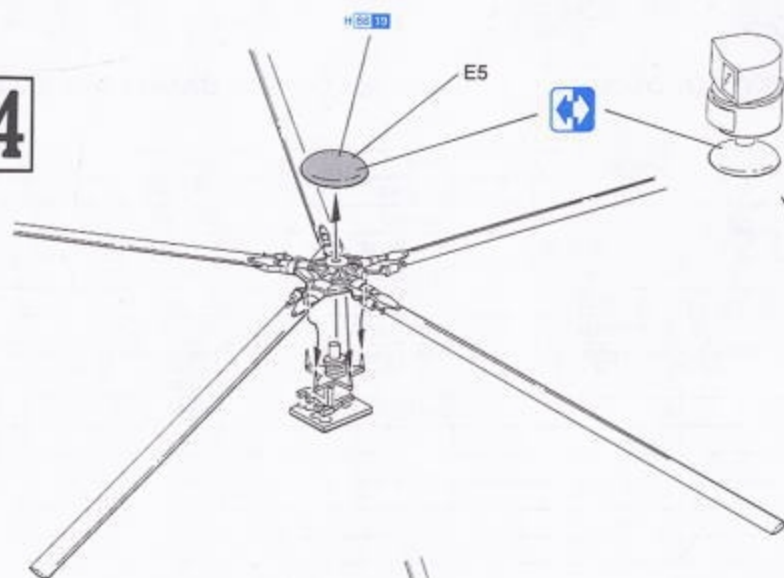
12



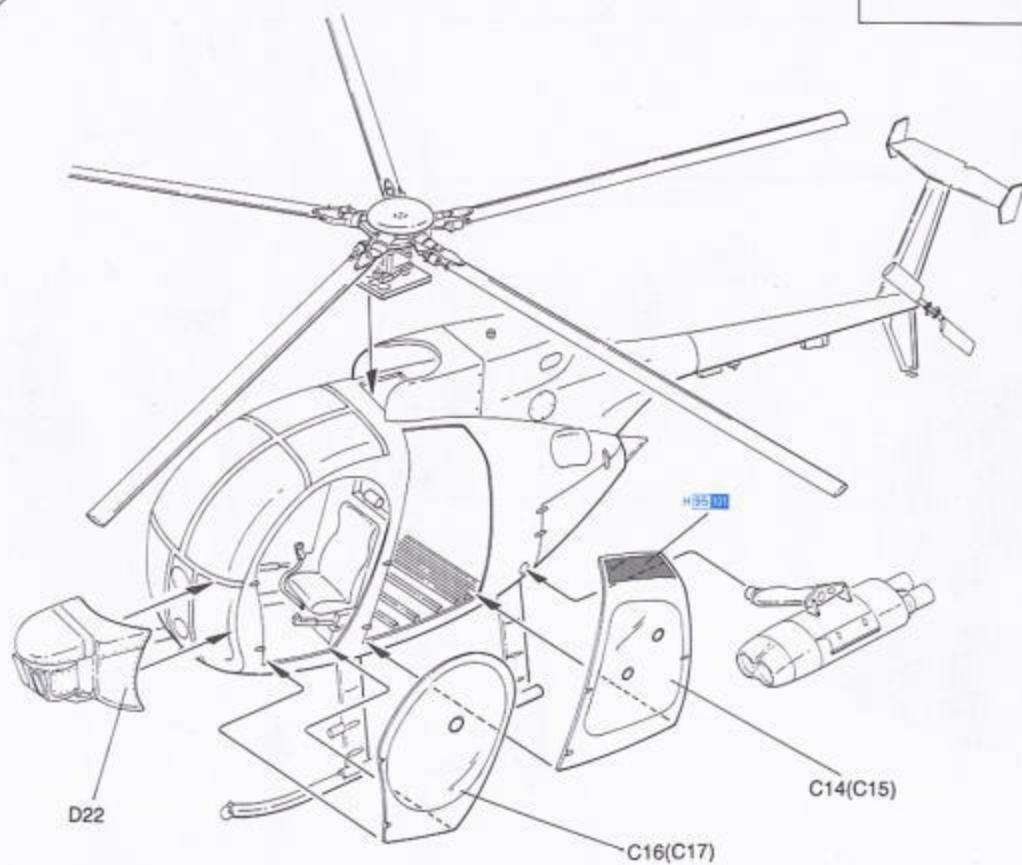
13

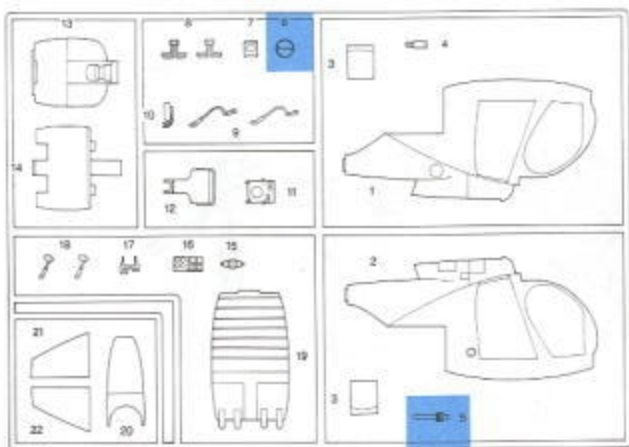


14

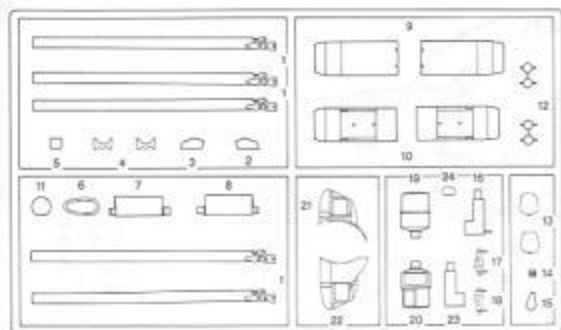


15

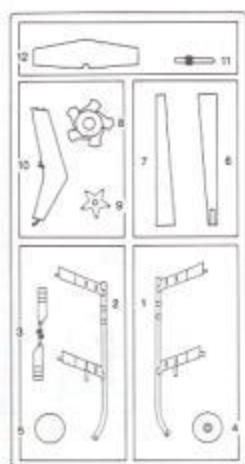




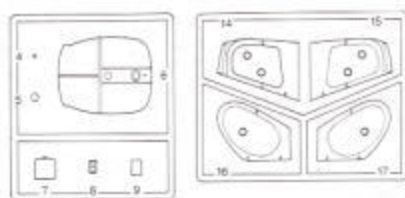
D



E

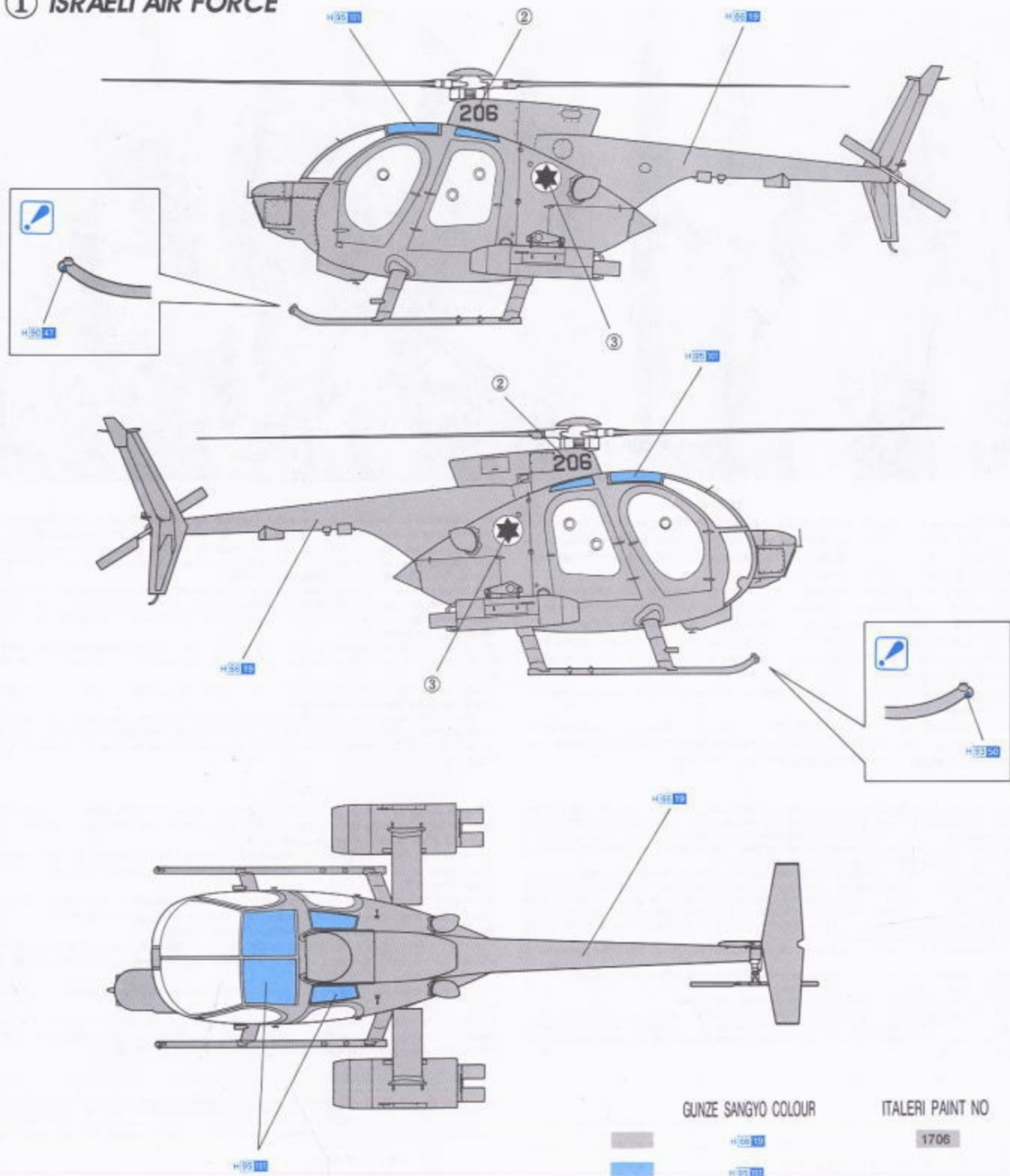


C

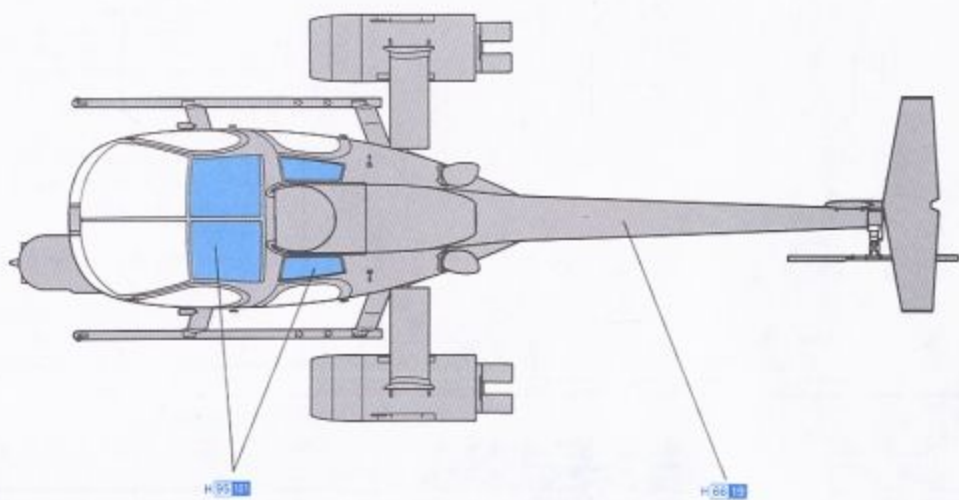
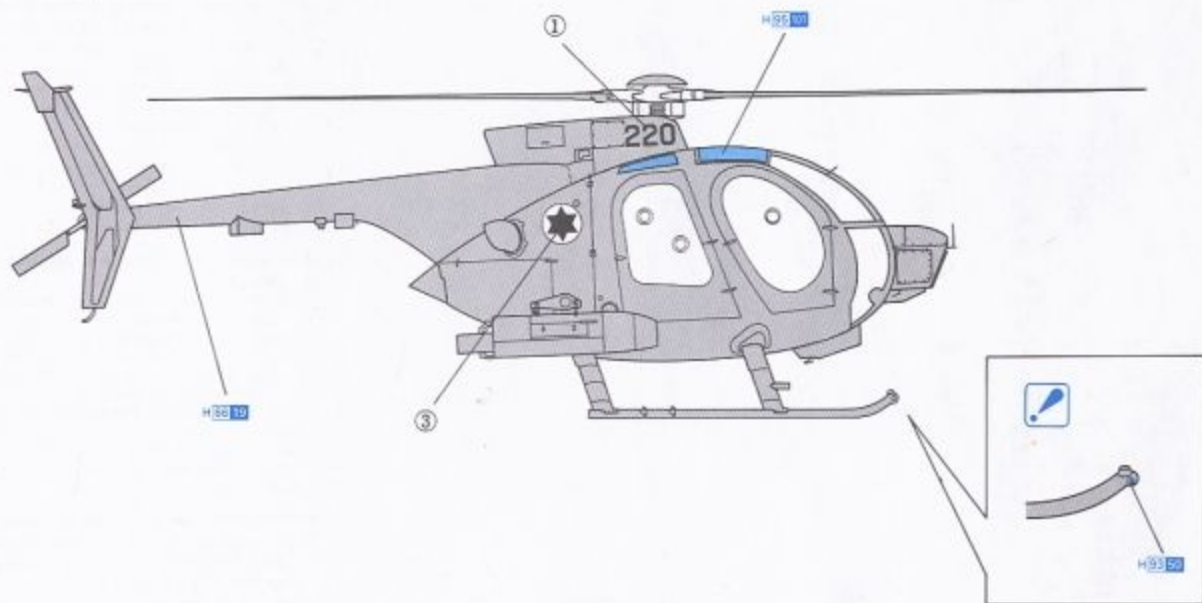


の部品は使用しません。
 Parts not for use.
 Telle werden nicht verwendet.
 Pièces à ne pas utiliser.
 Parti non utilizzati.
 不需要使用的零件。

① ISRAELI AIR FORCE



② ISRAELI AIR FORCE



The MD500 Defender was derived from the combat-proven OH-6A Cayuse, with more sophisticated weapon systems and avionics while maintaining the agility and maneuverability of the Cayuse. The low cost and reliable MD500 is in worldwide service for command and control, observation, logistic support, training, light attack, troop transport and ASW role.

With advanced avionics, the MD500 is capable of flying under the most adverse conditions. It can be fitted with a wealth of weapon systems, including TOW missiles, 2,75 in. rockets, Chain Gun in 30mm and 7.62mm calibers, 40mm grenade launcher, Stinger missiles, 7,62mm Minigun, and torpedoes. In the TOW configuration, a stabilized sight is mounted on the left side of the nose to direct the fire of two pairs of TOW anti-armor missiles that are fitted to ejector racks. Alternative to the nose-mounted sight is the mast-mounted sight (MMS) that is fitted on top of the rotor.

In the transport configuration, the MD500 can be fitted with seven seats or can carry two stretchers and two attendants.

The MD500 is powered by one 420-shp Allison 250-C20B turboshaft with a maximum speed of 152 mph. It has a fully articulated five blade rotor and a light alloy airframe. The engine is installed in the rear fuselage accessed by clamshell doors. The MD500 has a crew of two.

H22	ブラツフ	1747	BLACK	SCHWARZ	NOIR	NERO	黒色
H88	シルバー	1546	SILVER	SILBER	ARGENT	ARGENTO	銀色
H1233	フヤ消レブラツフ	1749	FLAT BLACK	MATTSCHWARZ	NOIR MAT	NERO OPACO	啞黒色
H6619	RLMサンデイブラウン79	1706	RLM SANDY BROWN 79	RLM SAND GELB 79	RLM BRUN SABLE 79	SABBIA RLM 79	RLM 砂褐 79
H9047	クリアーレッド	1503	CLEAR RED	ROT・REIN	ROUGE CLAIR	ROSSO CHIARO	透明紅色
H9350	クリアーブルー	1510	CLEAR BLUE	BLAU・REIN	BLEU CLAIR	BLU CHIARO	透明藍色
H95101	スモーフグレー		SMOKE GRAY	RAUCHGRAU	GRIS FUMÉE	GRIGIO FUMO	煙灰色
H301301	グレーFS36081	1592	DARY GRAY	DUNKEL GRAU	GRIS FONCÉ	GRIGIO SCURO	深灰色
H317317	グレーFS36231	1740	GRAY	GRAU	GRIS	GRIGIO	灰色
H327327	レッドFS11136	1705	RED	ROT	ROUGE	ROSSO	紅色