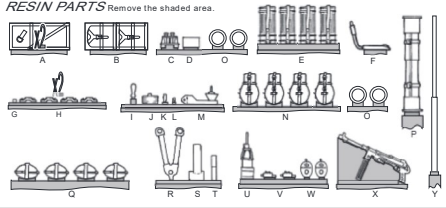


DIORAMA ACCESSORIES

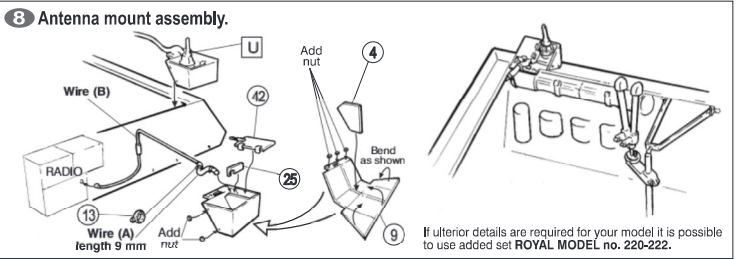
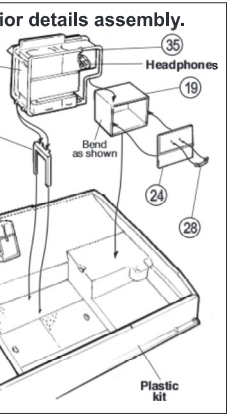
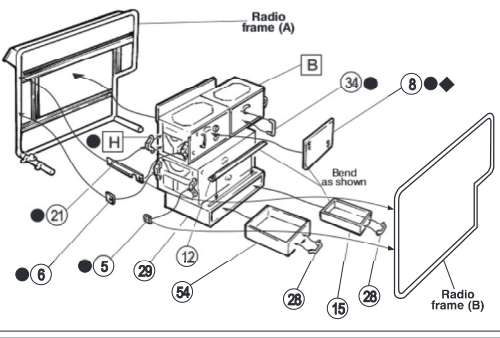
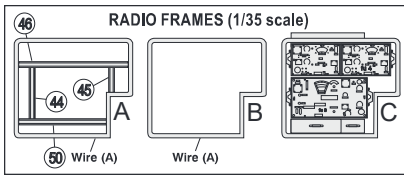
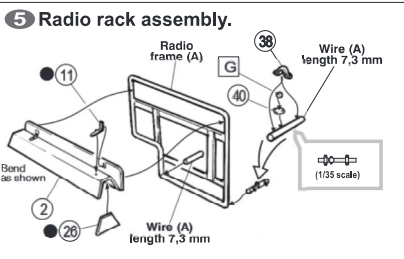
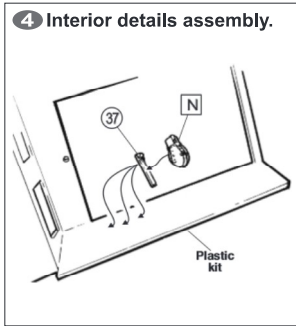
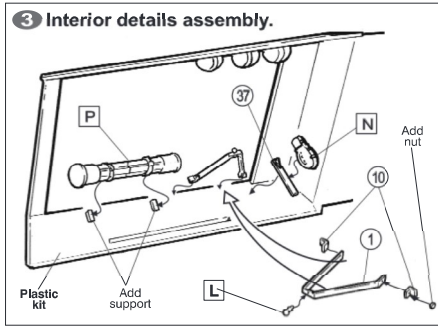
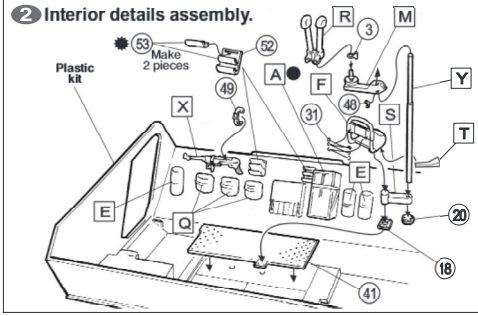
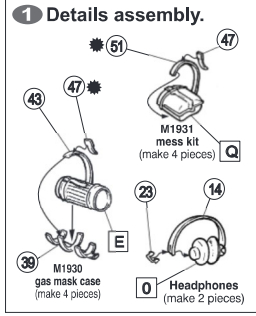
The parts included in this kit are to be assembled in conjunction with the **DRAGON** kit No 6100. For best results in the assembling of photo-etched and resin parts use cyanoacrylate glue. Always remember to use cyanoacrylate glue in a well ventilated area. Before assembly be sure to remove all parts to be substituted with photo-etched and resin parts. It is advised before assembly to study well the instructions which accompany this **MICRODETAILS SET** plus any other sufficient documentation. Note that some particulars illustrated in the instructions have been enlarged for easy identification. Also note that some photo-etched details will be easier to work with if heated with flame before mounting.

- Substitute the plastic part with the photo-etched or resin part
- Repeat same operation for the other side
- ⊙ Photo-etched part
- Ⓜ Resin part
- ☼ To be heated
- ◆ Facoltative



WIRE

(A)	0,90 mm Ø
(B)	0,45 mm Ø
(C)	0,30 mm Ø



If ulterior details are required for your model it is possible to use added set **ROYAL MODEL** no. 220-222.