

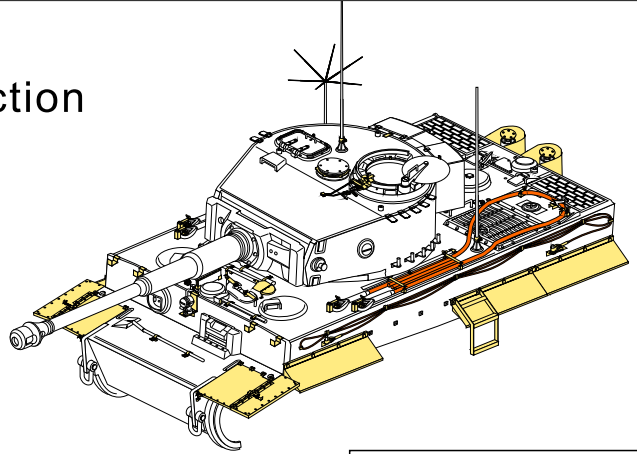
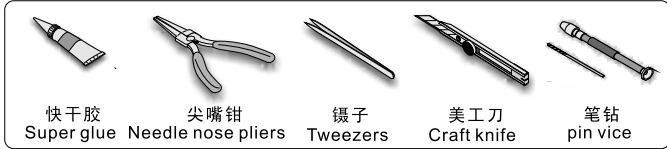
1/35 MILITARY MINIATURE VEHICLE UPGRADE SERIES PE35880

WWII German Tiger I MID Production

二战德军虎I型坦克中期型改造件

[For RMF 5010]

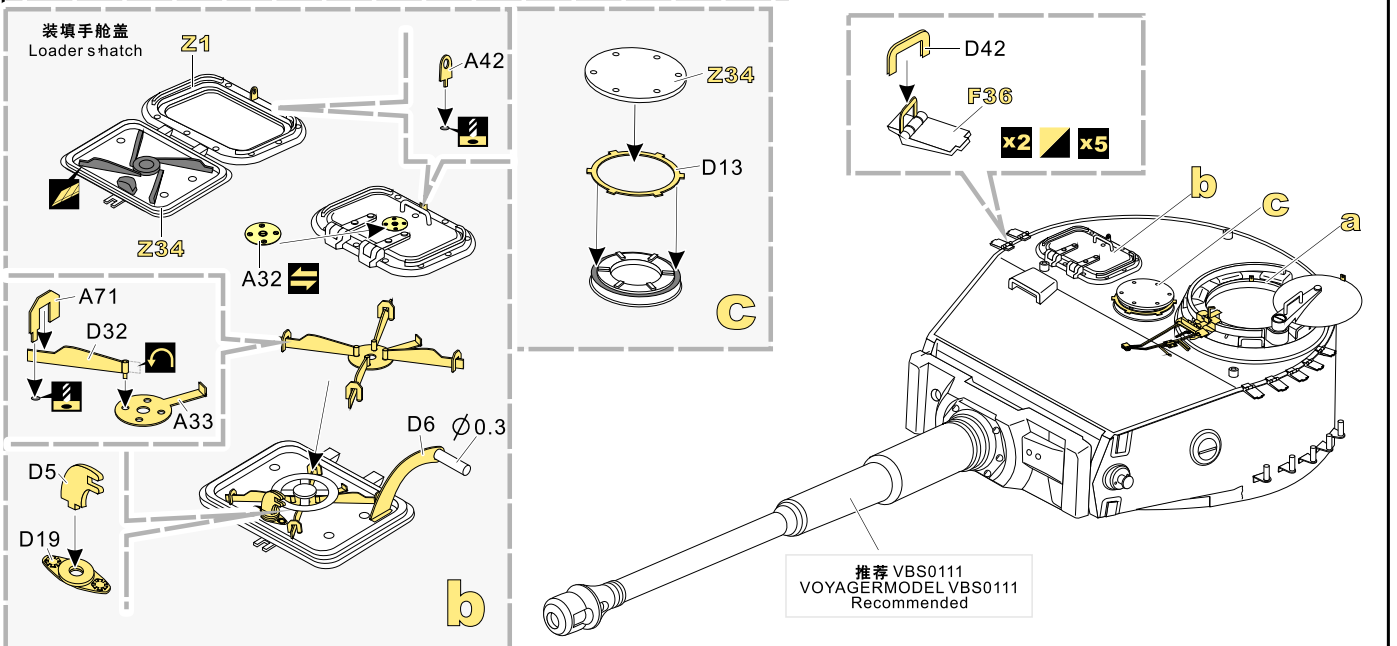
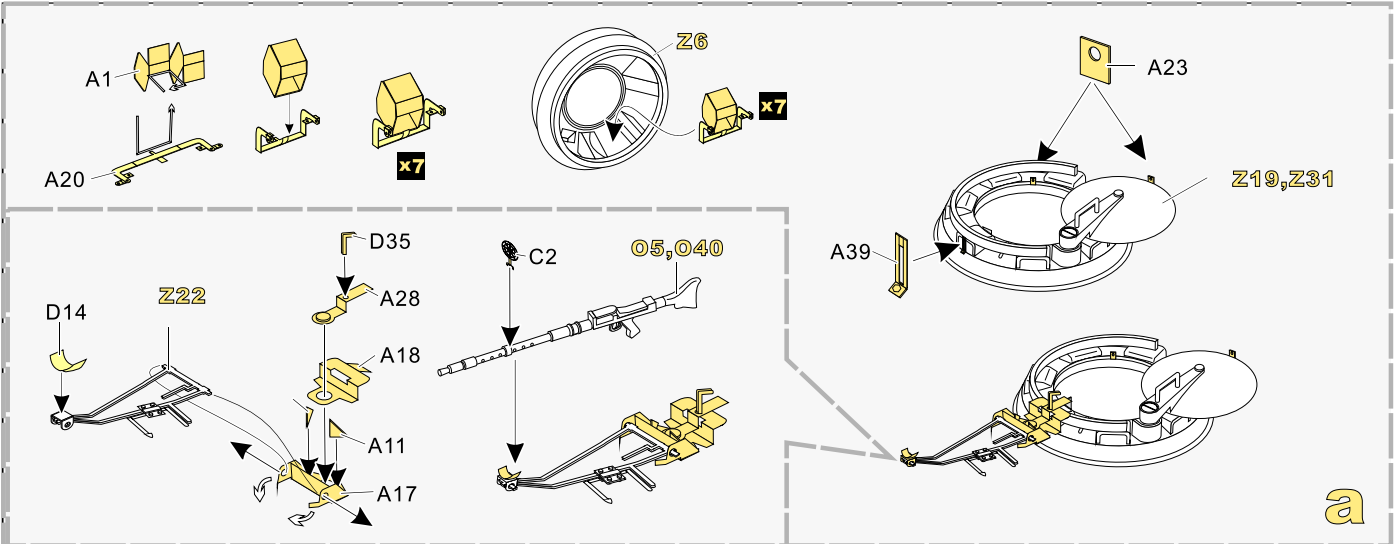
■ 推荐使用工具 RECOMMENDED TOOLS



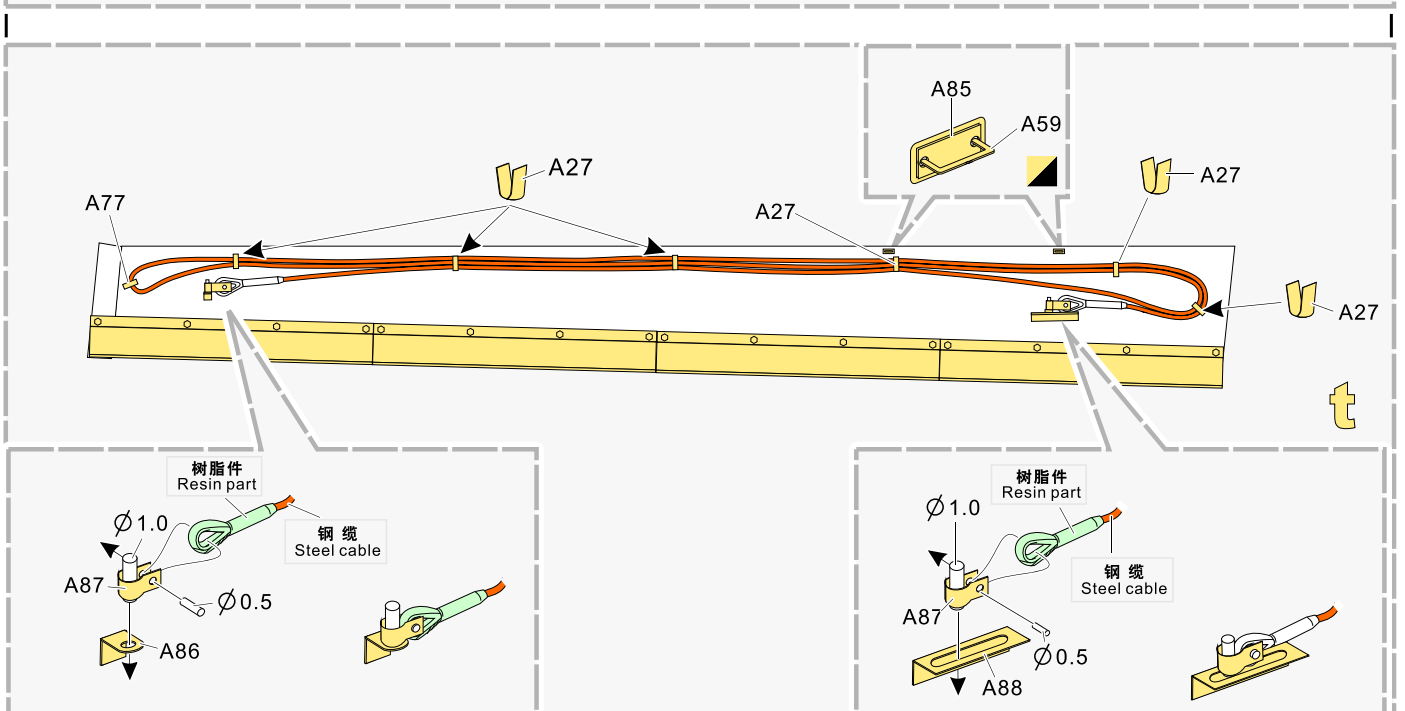
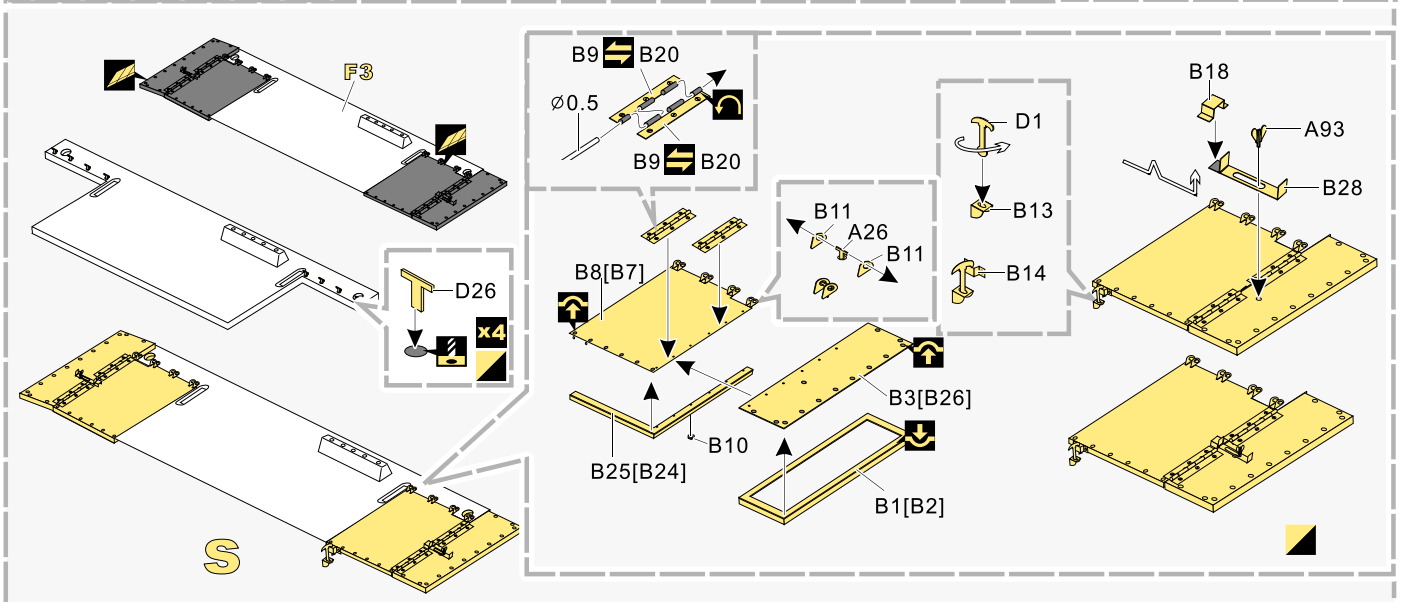
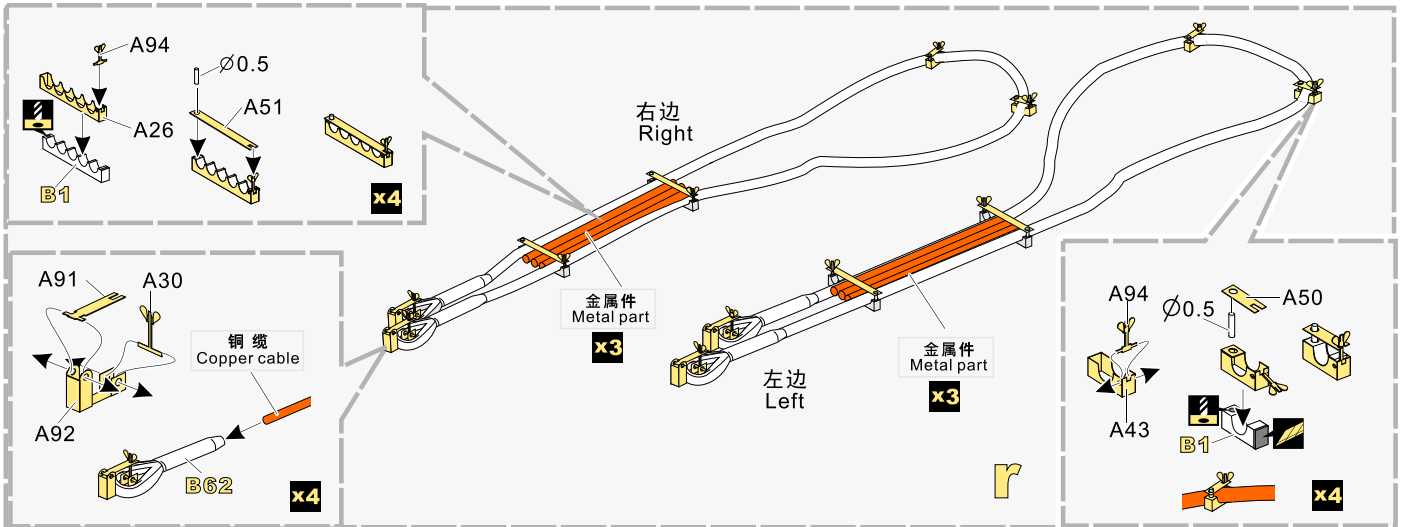
- 安装
install
- 折叠
bend
- A1**
改造件零件编号
PE/resin part number
- B12**
原零件编号
kit part number
- C22**
被替换的原零件编号
replaced kit part number
- 另一侧相同制作
repeat on opposite side
- 切除
remove
- 填补
fill
- 弧度卷曲
radial bending
- x2**
制作若干组
multiple assembly
- 选择安装
alternative
- 钻孔
drill
- 用胶棒制作
make from plastic rod

用尖端在凹槽处冲压
use penpoint to press on the dent

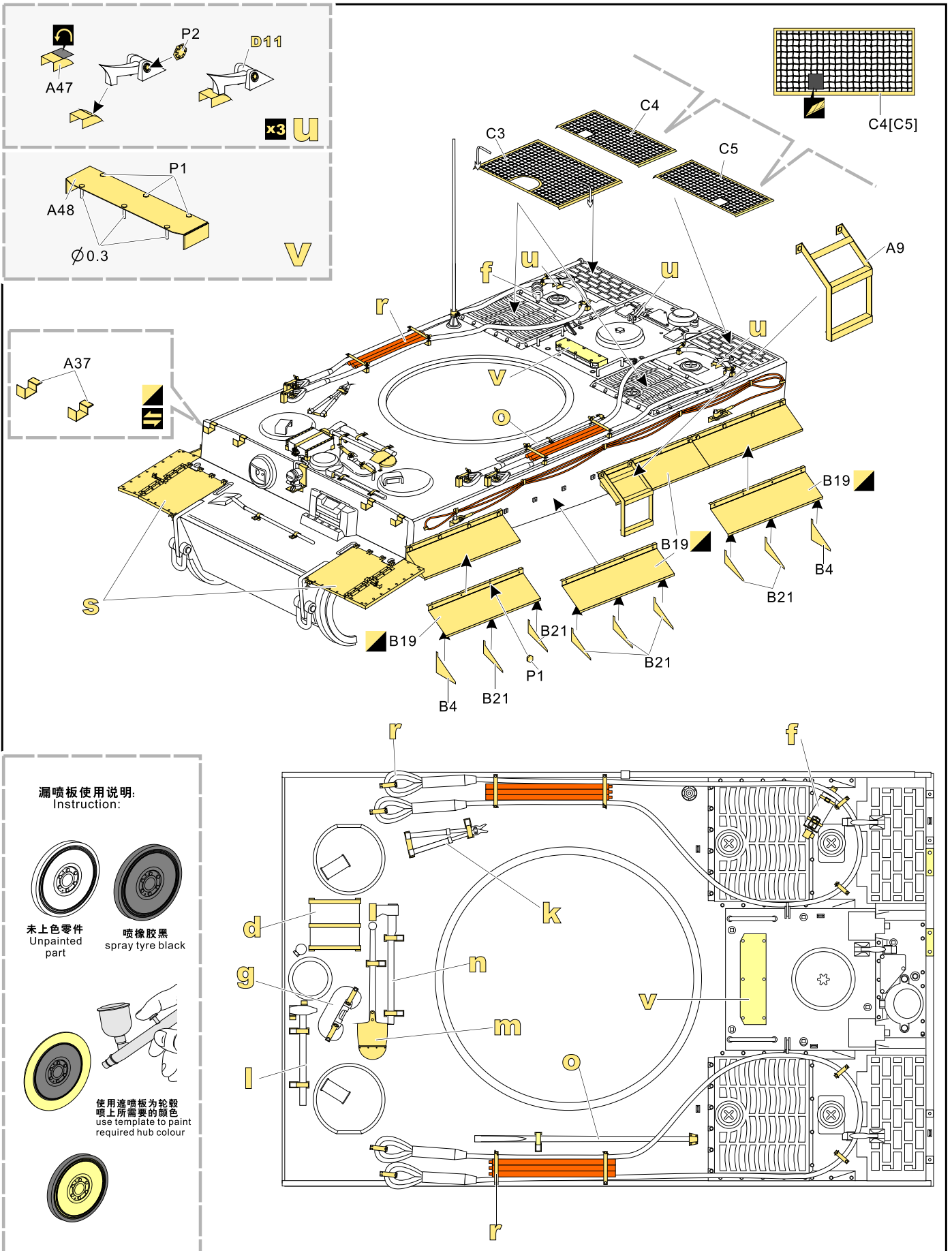
蚀刻片零件内面向上
Put the part upside down
用笔尖在凹槽处刻
Use penpoint to press on the dent



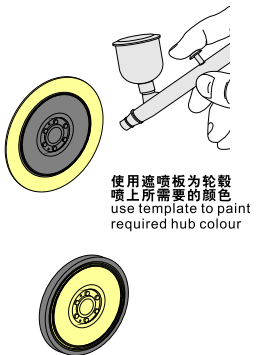
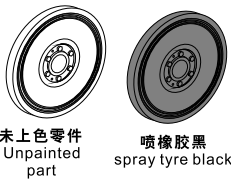
1/35 MILITARY MINIATURE VEHICLE UPGRADE SERIES PE35880



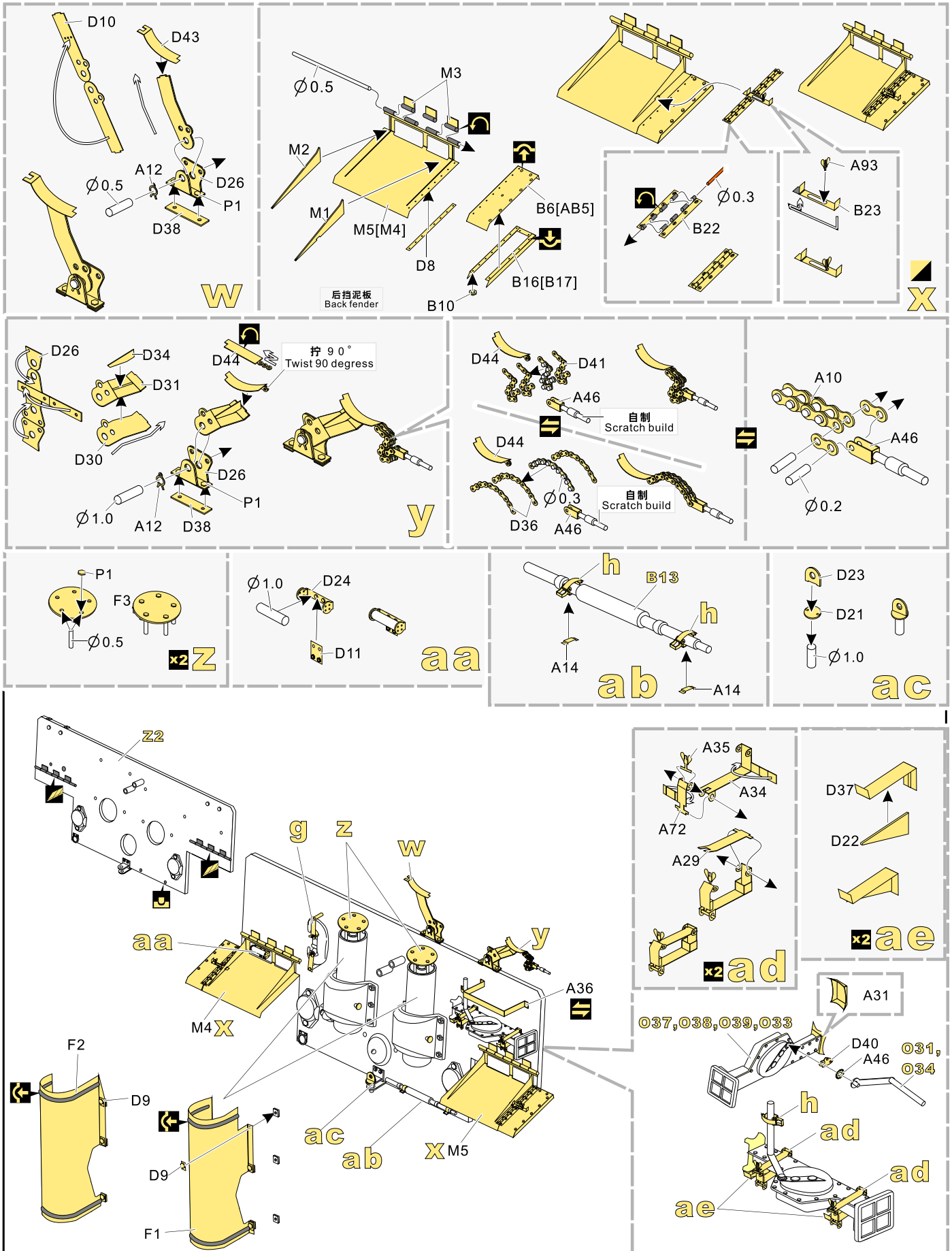
1/35 MILITARY MINIATURE VEHICLE UPGRADE SERIES PE35880



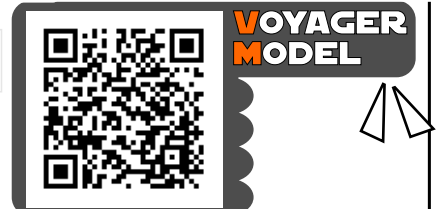
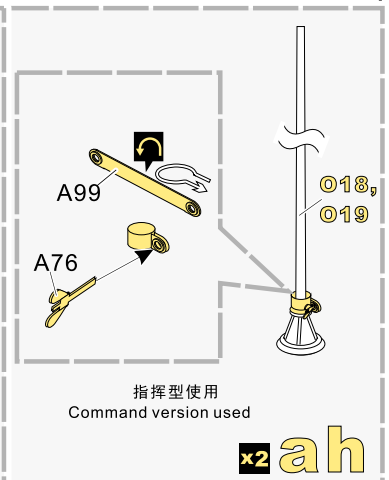
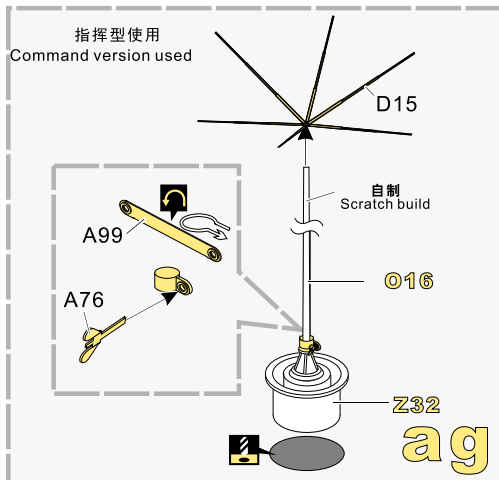
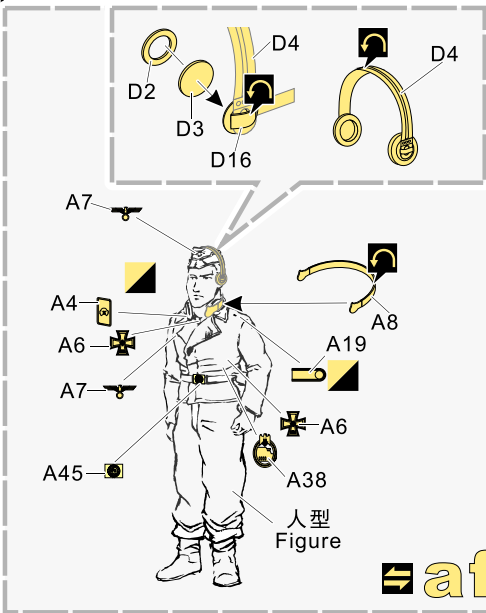
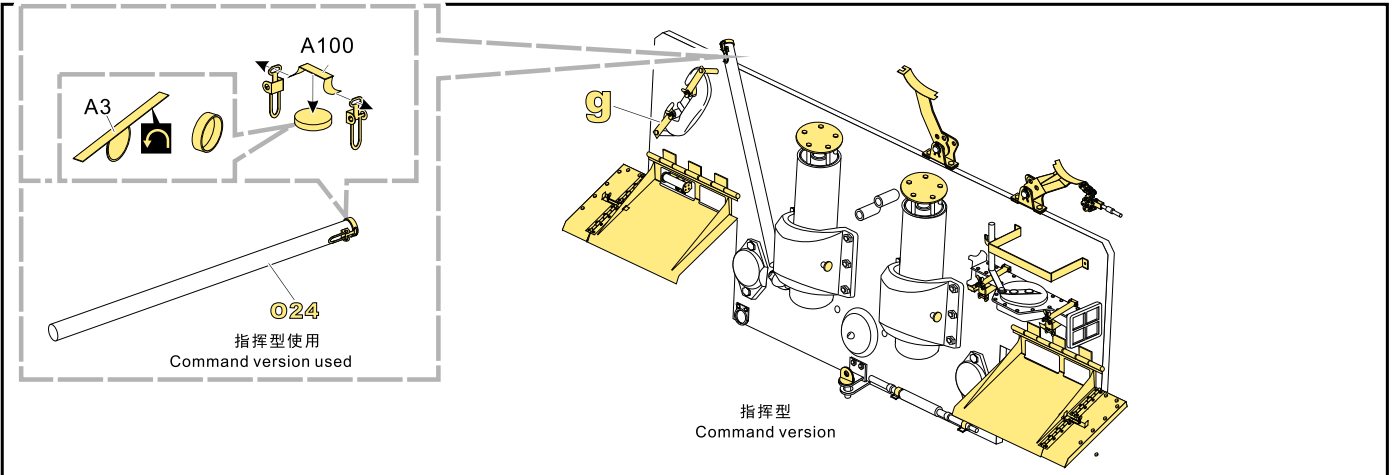
漏喷板使用说明:
Instruction:



1/35 MILITARY MINIATURE VEHICLE UPGRADE SERIES PE35880



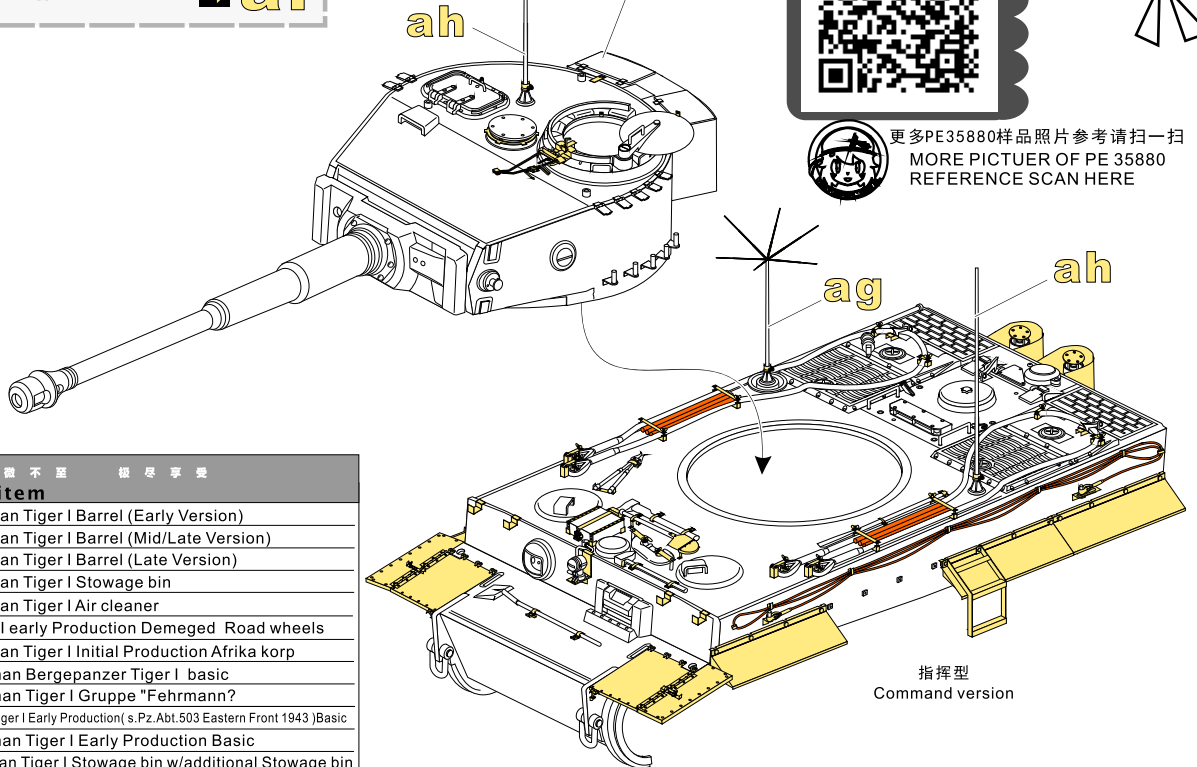
1/35 MILITARY MINIATURE VEHICLE UPGRADE SERIES PE35880



推荐 pea055 pea057
VOYAGERMODEL pea055 pea057
Recommended



更多PE35880样品照片参考请扫一扫
MORE PICTUER OF PE 35880
REFERENCE SCAN HERE



VOYAGERMODEL® 无微不至 极尽享受

Recommended item

VBS0105	WWII German Tiger I Barrel (Early Version)
VBS0111	WWII German Tiger I Barrel (Mid/Late Version)
VBS0211	WWII German Tiger I Barrel (Late Version)
PEA 055	WWII German Tiger I Stowage bin
PEA 087	WWII German Tiger I Air cleaner
PEA 088	WWII Tiger I early Production Demeged Road wheels
PE 35799	WWII German Tiger I Initial Production Afrika korp
PE 35857	WWII German Bergepanzer Tiger I basic
PE 35839	WWII German Tiger I Gruppe "Fehrmann?"
PE 35792	WWII German Tiger I Early Production (s.Pz.Abt.503 Eastern Front 1943)Basic
PE 35771	WWII German Tiger I Early Production Basic
PE A 057	WWII German Tiger I Stowage bin w/additional Stowage bin