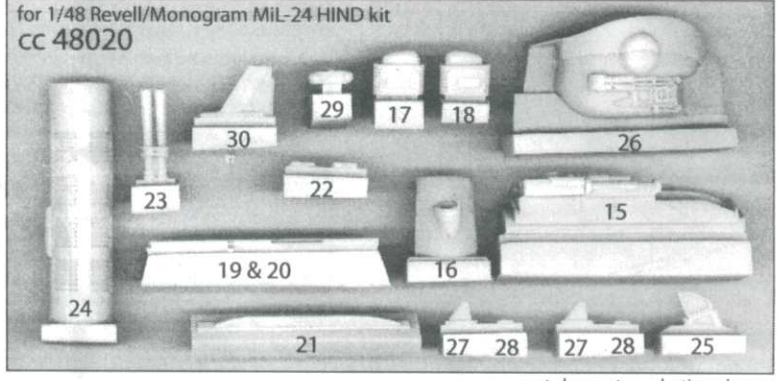




Contains: Twin-Cannon with removable cover, Completely detailed HIND F front and rear cockpits, Radar Sensors, antennas, for 1/48 scale Revell / Monogram HIND kit

MI-24 "HIND F" Twin-Cannon Gunship Conversion

Mi-24 "HIND F" Twin-Cannon Gunship Conversion

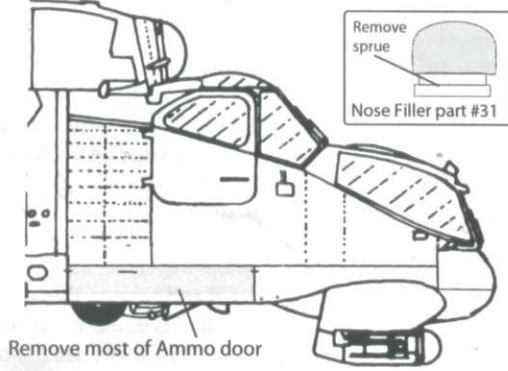


for 1/48 Revell/Monogram MiL-24 HIND kit
cc 48020

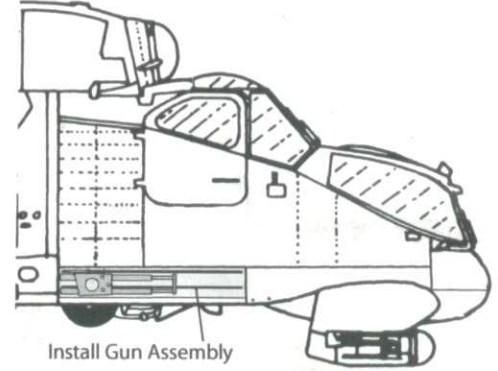
General instructions: All of your new resin parts should be washed in warm water and a de-greasing detergent like Formula 409 or Fantastic. This will remove the mold release agent from the parts and allow your paint to stick properly. Remove parts from the sprues with a hobby knife or razor saw then lightly sand any remaining sprue. For delicate parts, multiple passes with a sharp X-acto knife below the part can remove them without damage. Do not breathe resin dust-use a dust mask. Use CA type (Superglue) to attach resin parts. Take some time to test fit your new resin parts. This kit was carefully engineered to fit correctly in your model but some trimming and adjustment is always necessary to match a particular kit. NO resin kit is perfect- While every effort has been made to give you the best quality castings, there may be very small defects like an occasional air bubble, etc. They are easily filled and sanded smooth, but as always if a part is unusable or you break a part- no problem- just let us know and we'll send you a new part right away. We want you to be happy with your new Cobra Company detail set!

Some exterior parts must be installed first:

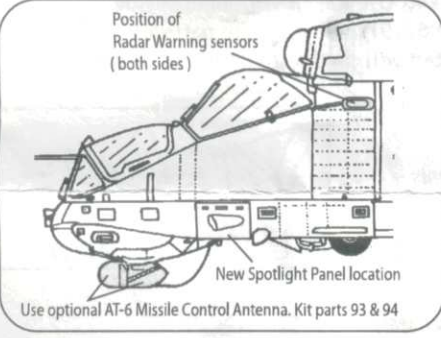
1. On the right fuselage half remove most of the Ammunition Door as shown by shaded area. Cut along upper and side panel lines but leave some excess at the bottom. File away the excess until the new Gun Assembly drops in place and matches the fuselage contour.
2. Install new Spotlight panel by cutting away shaded area indicated and replacing with new resin part. Be sure to cut slightly less than you need to then slowly open the area up until there's a perfect fit and the panel matches the fuselage contour.



Remove most of Ammo door



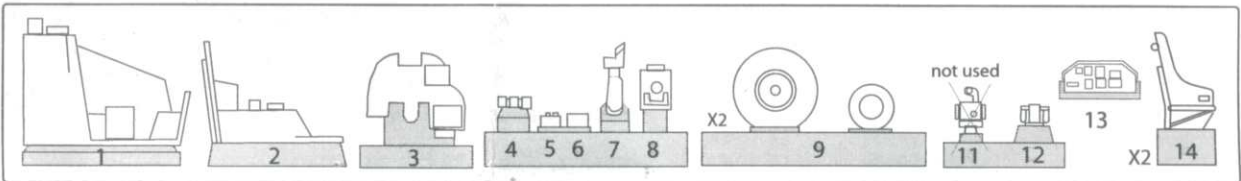
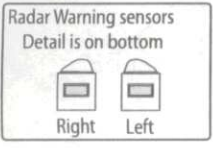
Install Gun Assembly



3. Install Radar warning sensors on both sides of the fuselage in the position shown. The HIND F uses an updated Anti-Tank Missile system called the AT-6 "Spiral". This uses the optional Guidance Antenna in the kit (parts 93 & 94). Use these instead of the earlier antenna shown in kit instructions step #27. The parts in this step may be installed onto the model later if you like.

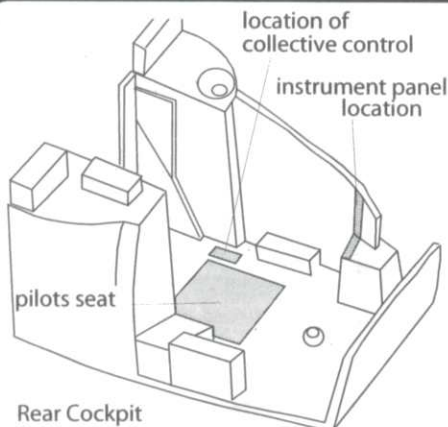
Cockpits and Cabin are next:

4. The new resin Cockpit parts and Wheels are a direct replacement for the kit's injection molded parts. Only the Monogram kit's control sticks and collective handles will be used.
 5. Using a razor saw or sancipaper, remove sprues from resin parts as shown below.
 6. Front wheel well (kit part #64) should be glued in place on one fuselage half. The rear cockpit will sit on top of the wheel well so make sure all the excess resin is removed from the bottom of the cockpit.
 7. Fully assemble the rear cabin as directed in steps #7-10 of instruction sheet.
 8. Complete miscellaneous interior parts as directed in kit instructions, step 5 & 11 through 19.
- Note: delete kit part 29 (armament panel).



Masters by: Talal Chouman, Sherman Collings, Chris Miller

9. Install front cockpit (resin part #2), rear cockpit (resin part #1) and rear cabin into fuselage halves. Rear cabin rests on edge of the wheel well. Use this to adjust position of rear cockpit. Cockpit hallway must align with cabin opening.
- Rear Cockpit
10. Glue new instrument panel in place. You must use the new ASP-17V gunsight (resin part #8). An opening must be cut in the instrument panel cover (part of each fuselage half) for the gunsight, matching up to the notch on the top of the instrument panel. Install sight in opening. A reflector can be made from clear plastic.
11. Glue collective control stick to floor (kit part #26).
12. Install pilot seat.
13. Shorten cyclic stick (kit part #27) to about 3/8 inch and install.



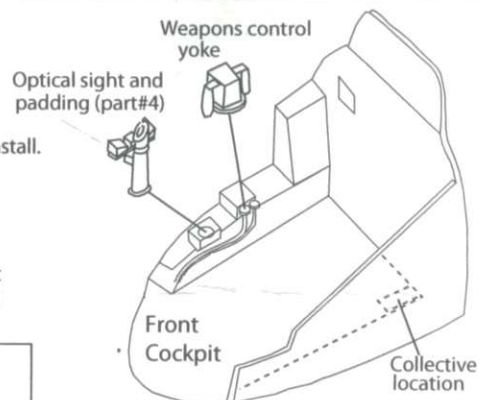
Rear Cockpit

Front Cockpit

14. Glue collective control stick to floor on left against back bulkhead.
15. Shorten height of front seat to 9/16 inch by sanding off some of base. Glue in place.
16. Shorten cyclic stick (kit part #27) to about 3/8 inch and install.
17. Glue sight padding (resin part #4) to optical sight (resin part #7). Install into front cockpit as shown.
18. Glue tall control box (resin part #6) to right window sill, directly over weapons control yoke.
19. Glue small control box vertically to right window sill next to gunners seat. Glue front instrument panel (resin part #13) to front of cockpit along the fuselage framework.

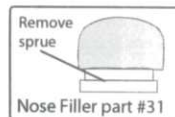
Colors:

- Black - Gunsight, cockpit floors, instrument faces, inside of doors, switch panel faces, seats, control sticks, optical sight padding
- Blue-green - instrument panels, cockpit walls
- Grey - seat belts, optical sight frame, weapons control yoke frame
- Red-brown - weapons control yoke handles



Front Cockpit

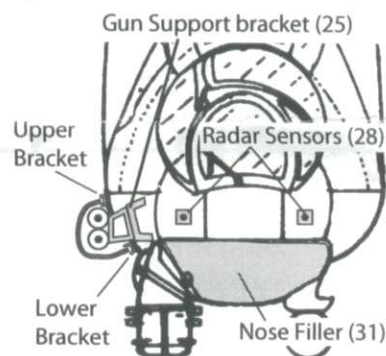
Collective location



Nose Filler part #31

Exterior Details

20. Once the Cockpits and rear cabin are installed and the fuselage is closed up you can add the additional external parts. Glue Upper Bracket (19) for Gun Door along seam above gun. This bracket has a short section of wall missing in order for the bulged gun cover to fit. Align the Gun Cover (24) on this bracket in order to determine the location of the Lower "hinge" Bracket (20). Glue lower bracket in place so that the gun cover fits in both brackets. The Gun Cover can be shown in the open position (hinged downward).
21. Install the Nose Filler (31) into the area that used to have the kit Mini-gun. Fill and sand seam.
22. Slip the two Barrel Guides (22) onto the barrels then glue the breech end of the barrels into the gun. Align the barrels carefully, parallel to the side of the fuselage. Test fit the Flash Hiders (23) trimming the barrel lengths to position the Flash Hiders as shown. Install the Gun Support Bracket (25) onto the Flash Hider, trimming the bracket as necessary to keep the correct barrel positions.
23. Install the Pilot's Step (21) and Optical Sensor Housing (26) to the fuselage. Install the front IFF Antenna to the base of the kit's Velocity Sensor Probe to replace the three "rod" antennas. Glue the small Radar Sensors (28) to the nose in the positions shown.

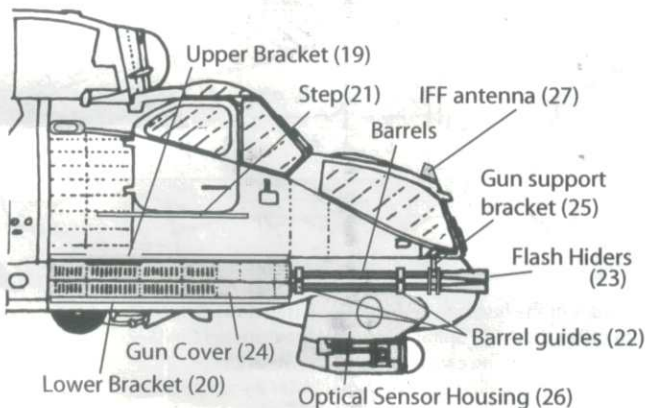


Upper Bracket

Lower Bracket

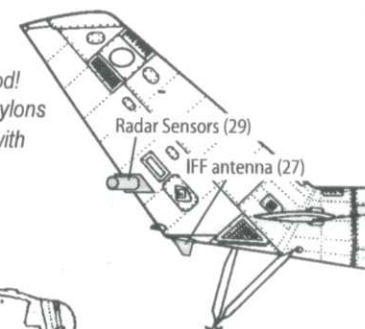
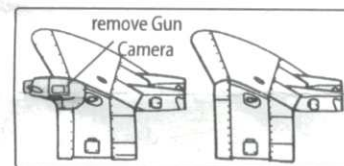
Radar Sensors (28)

Nose Filler (31)



24. Glue the tail Radar Warning Sensors (29) and the rear IFF Antenna (27) to the tail fin as shown. The IFF Antenna replaces the three "rod" antennas on the fuselage.

25. Delete the kit's forward blade antenna-part #28 as shown in the instruction sheet step 44. Replace it with the new "T-shaped" antenna (30)
26. Assemble the Weapon "wings". Remove the gun camera from the left wing. Fill and sand to shape.
27. The HIND F is equipped with the newer AT-6 "Spiral" Anti-Tank Missile System. Do not use the older "Swatter" missiles and mounts shown in instruction sheet step #40. Use the kit's optional Missile Mounts #95 and Missile Tubes #96 & 97 instead. These parts are not shown on the instruction sheet but you can locate them on the sprues.



Some of our other fine sets for the awesome HIND Gunships!

- 48001 **Mi-24 HIND D/E Cockpit set.** Fully detailed replacement front and rear cockpits for Early HIND variants. Includes BONUS Wheel Set.
- 48018 **Mi-24 HIND Exterior Detail set.** Combat self-protection equipment that can be used on any version of the HIND gunship. Contains the Infra-Red reduction devices for the engine exhausts, fuselage mounted Chaff / Flare ejectors and Anti-Missile Infra-Red Jammer with its mount.
- 48021 **Weapon set #1** Contains four B8V20A 80 mm Rocket Pods, Four 9M114 "SHTURM" anti-tank guided missiles, Four weapon pylons
- 48022 **Weapon set #2** Contains Two 9-A-669(GUV) General Purpose gun pods incorporating three miniguns in each pod! Two KMGU-2 Mine Laying and Cluster Bomb pods. Four 9M114 "SHTURM" anti-tank guided missiles, Four weapon pylons
- 48023 **Weapon set #3** Contains Two UPK-23-250 23mm Twin-Cannon Pods. Two 9-A-669(GUV) Universal container with 30mm Grenade Launchers. Four 9M114 "SHTURM" anti-tank guided missiles, Four weapon pylons

Combat Loads for HINDS and other helicopters. All of COBRA's parts are highly detailed to compliment your models.



Position of new resin antenna (30)