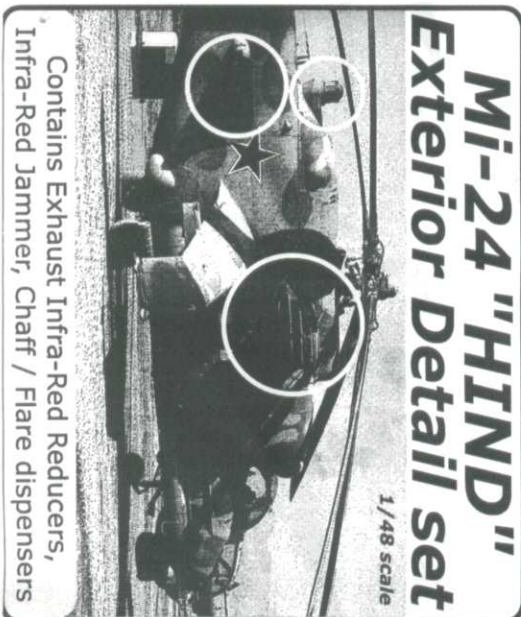


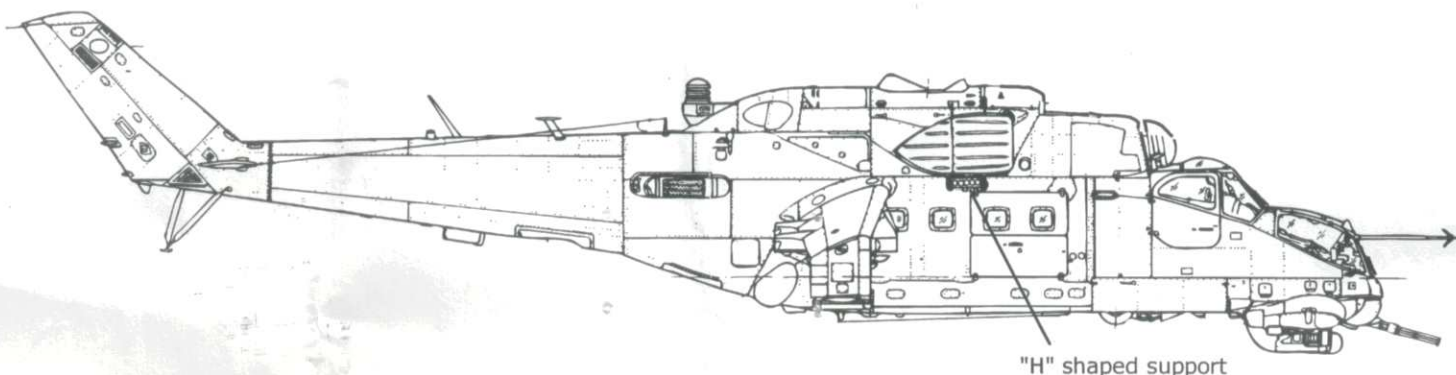
Mi-24 "HIND" Exterior Detail set

48018



General instructions: All of your new resin parts should be washed in warm water and a de-greasing detergent like Formula 409 or Fantastic. This will remove the mold release agent from the parts and allow your paint to stick properly. Priming is recommended on all parts. Remove parts from the sprues with a hobby knife or razor saw then lightly sand any remaining sprue. Do not breathe resin dust- use a dust mask. Use CA type (Superglue) or two-part epoxy to attach resin and metal parts. We recommend that you prime your resin and white-metal parts before applying paint.

Take some time to test fit your new parts. This kit was carefully engineered to fit correctly in your model but some trimming and adjustment is always necessary to match your particular kit. Sometimes white metal parts bend slightly when they are removed from the mold. If your gear needs any alignment, just gently apply pressure to ease the part into the correct alignment. NO kit is perfect- While every effort has been made to give you the best quality castings, there may be very small defects like an occasional air bubble, etc. They are easily filled and sanded smooth, but as always if a part is unusable or you break a part- no problem- just let us know and we'll send you a new part right away. We want you to be happy with your new Cobra Company set! Especially large parts like the wing can become slightly warped during storage and handling. If you notice this, it's very easy to cure, just dip the affected area in hot water until the resin becomes a little pliable. Hold it in the straightened position until it cools, or run cold water over the part. Generally the misshape will disappear on its own as soon as the part is heated.

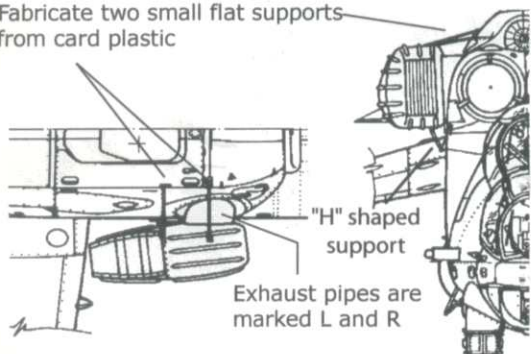


"H" shaped support

Your Mi-24 HIND exterior detail set is correct for all production versions of this awesome Attack helicopter. Please familiarize yourself with the parts positioning and mounting angles as shown on the drawings. Assembly is very easy - First remove the excess resin "sprue" from all of the parts. It would be best to install the exhaust pipes in the fuselage openings before the fuselage halves are closed up. These parts are marked L and R. Next its just a matter of installing the other parts onto the fuselage whenever you decide. You may want to paint the parts first for convenience.

Exhaust Infra-red Reducers

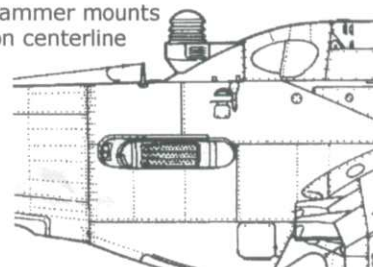
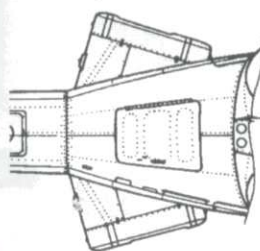
Notice the mounting angle of the IR Reducers
Fabricate two small flat supports from card plastic



notice mounting angle of Dispensers

Infra-Red Jammer

Jammer mounts on centerline



Chaff / Flare Dispensers

CC48018U

This kit now contains two additional parts that are not pictured in the instruction sheets. Newer enlarged exhaust diffusers as seen on late MI-24 helicopters are now included. The original smaller diffusers remain in the set in the event you are depicting an older version of the helicopter.

©
2011



PO Box 3966, Crofton, MD 21114

Phone/Fax (301) 261-3216