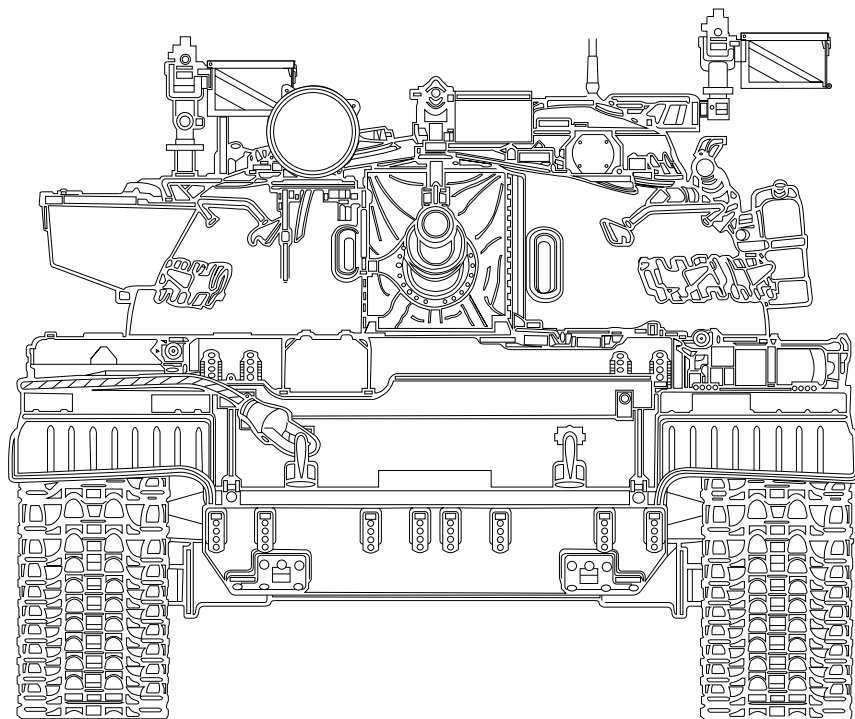


35 K23

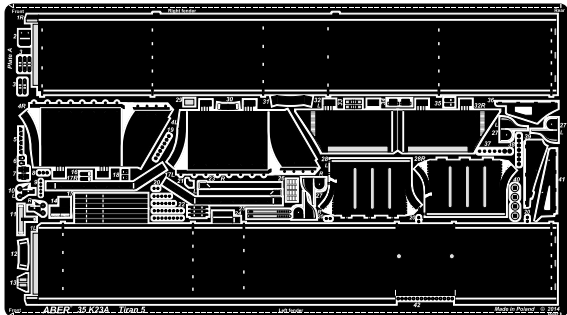
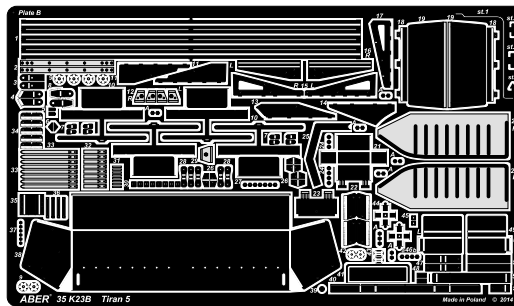
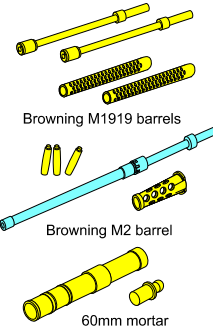
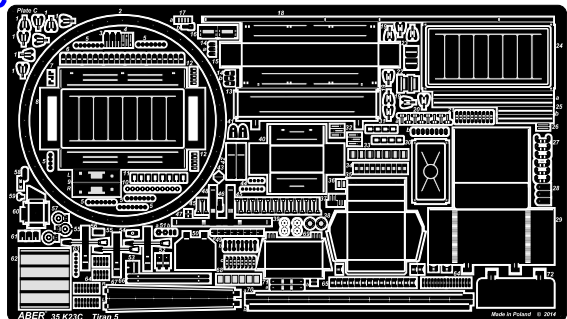
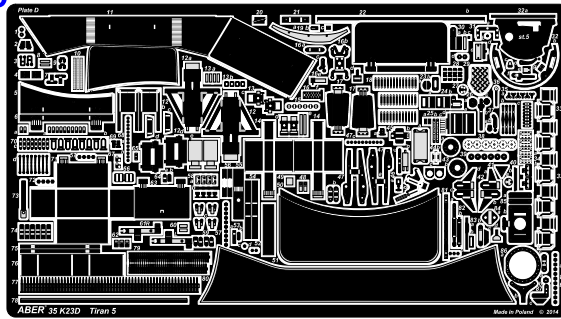
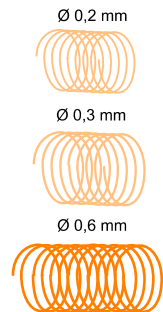
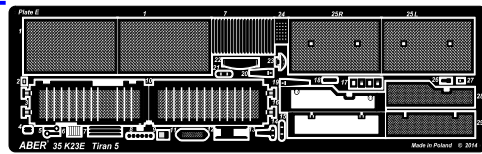
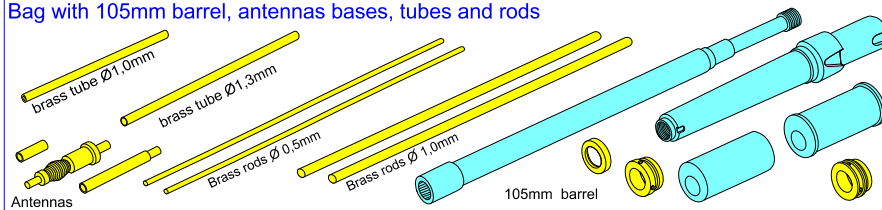


**EXCLUSIVE
EDITION**



**UPGRADE SET
FOR TAMIYA
1/35 MODEL no 35328**

**Israeli Tank
TIRAN 5**

A**B****Bag with MG barrels****C****D****Bag with wires****E****Bag with 105mm barrel, antennas bases, tubes and rods**

MOST IMPORTANT BIBLIGRAPHY:

- 1) Model Detail Photo Monograph No 9 T-55/55A vol. 1 - Rossagraph
- 2) Model Detail Photo Monograph No 12 T-55/55A vol. 2 - Rossagraph
- 3) Present Vehicle Line no 7 - T-54/55 in detailn - Frantisek Koran,
Frantisek Sykora - Wings & Wheels Publications ©1994
- 4) Israeli Armour in Detail - Karel Hellebrand, Daniel Petz
- Wings & Wheels Publications © 2000
- 5) WARMACHINES No 10 - Michael Mass - Verlinden Publications No.669
- 6) Tamiya Model Magazine International - Issue 212 - June 2013- page 49-54
- 7) www.svsm.org/gallery/T-55-family
- 8) www.primeportal.net

Thank you for purchase our set [35 K23](#).

Read carefully this instruction.

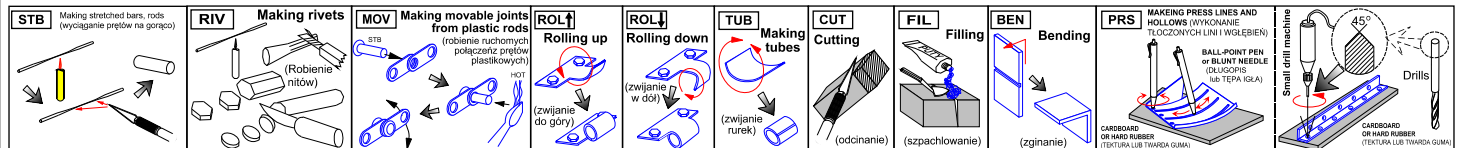
We advise that better method to join metal to metal parts is soldering.
Cement metal parts to plastic with good cyanoacryl or epoxy glue.

WARNING

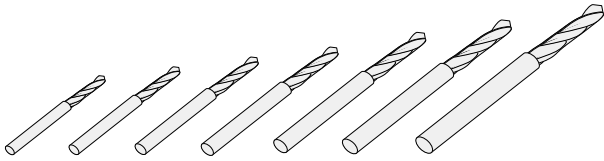
Any unauthorized copying, producing and reproducing of ABER company products, or any part thereof, is strictly prohibited and any such action establishes liability for a civil action and may give rise to criminal prosecution.

OSTRZEŻENIE

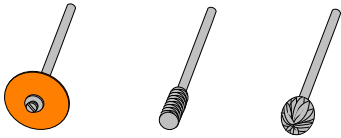
Jakiegokolwiek kopiowanie, produkowanie i reprodukcja wyrobów firmy ABER bez zezwolenia, w całości lub części jest surowo zabronione. Powyższe działania powodują powstanie odpowiedzialności cywilnej oraz mogą spowodować wszczęcie postępowania karnego.



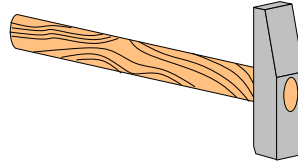
TOOLS RECOMMENDED



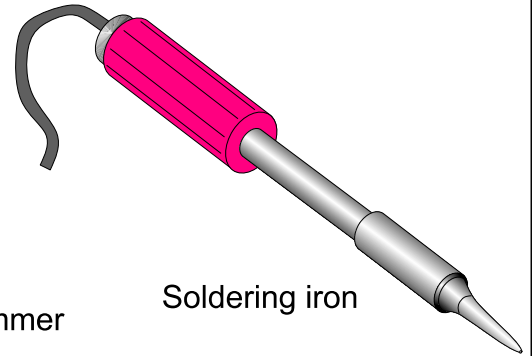
Drills from Ø 0,4 to 1,5 mm



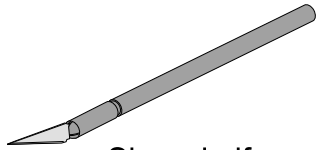
Assortment of cutting wheels and mills



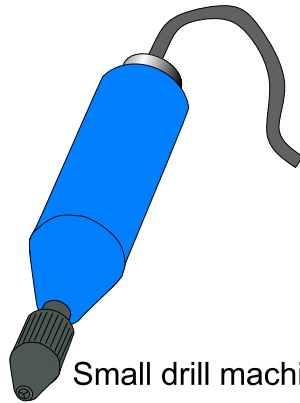
Light weight hammer



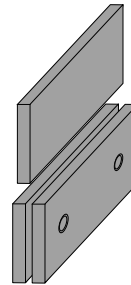
Soldering iron



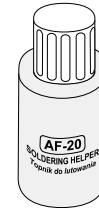
Sharp knife



Small drill machine



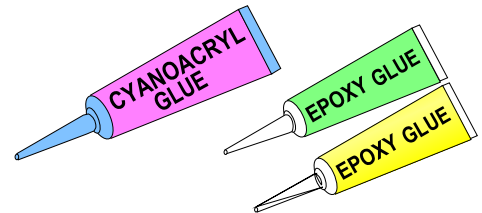
Bending tool
PG01 or PG02

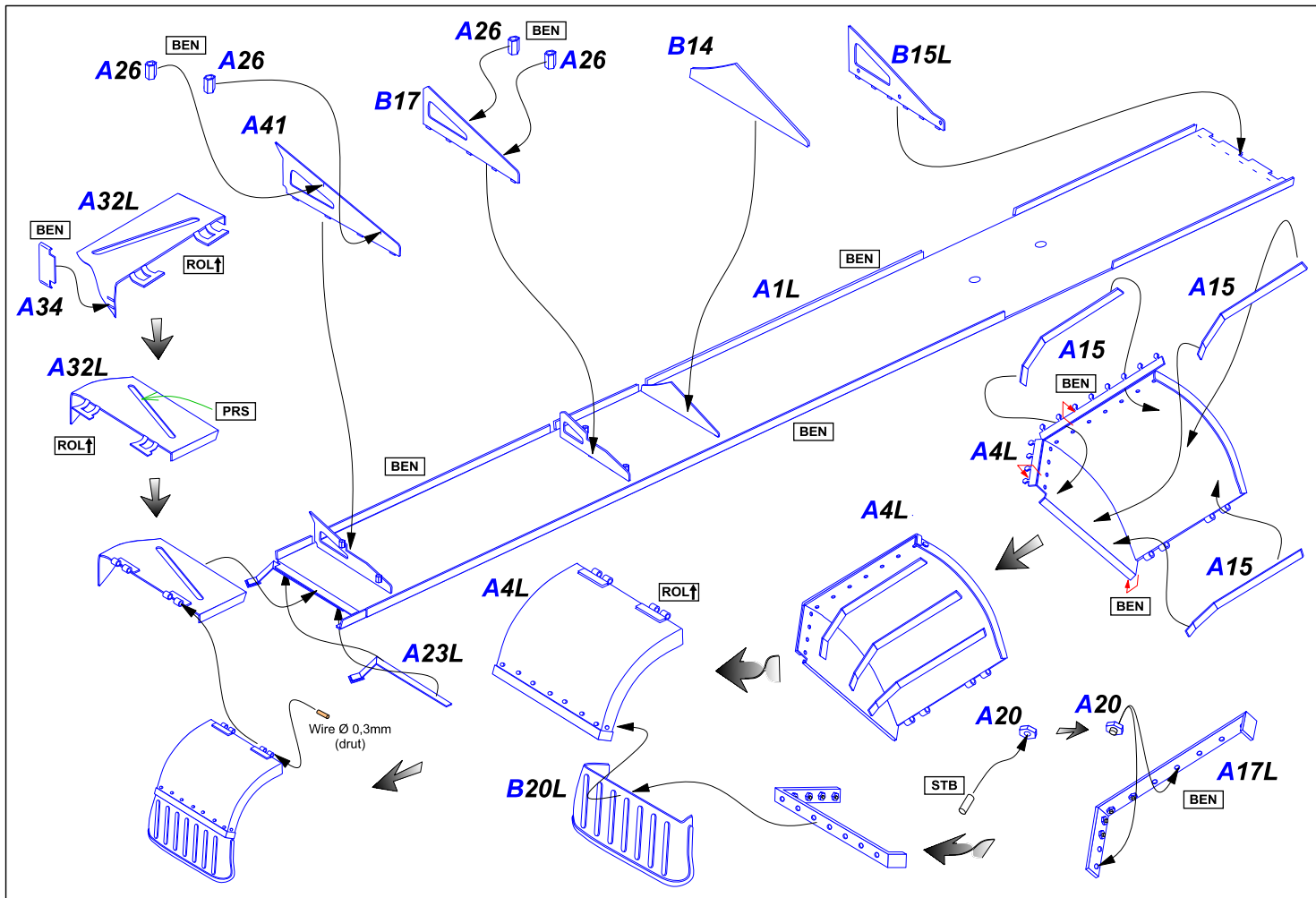


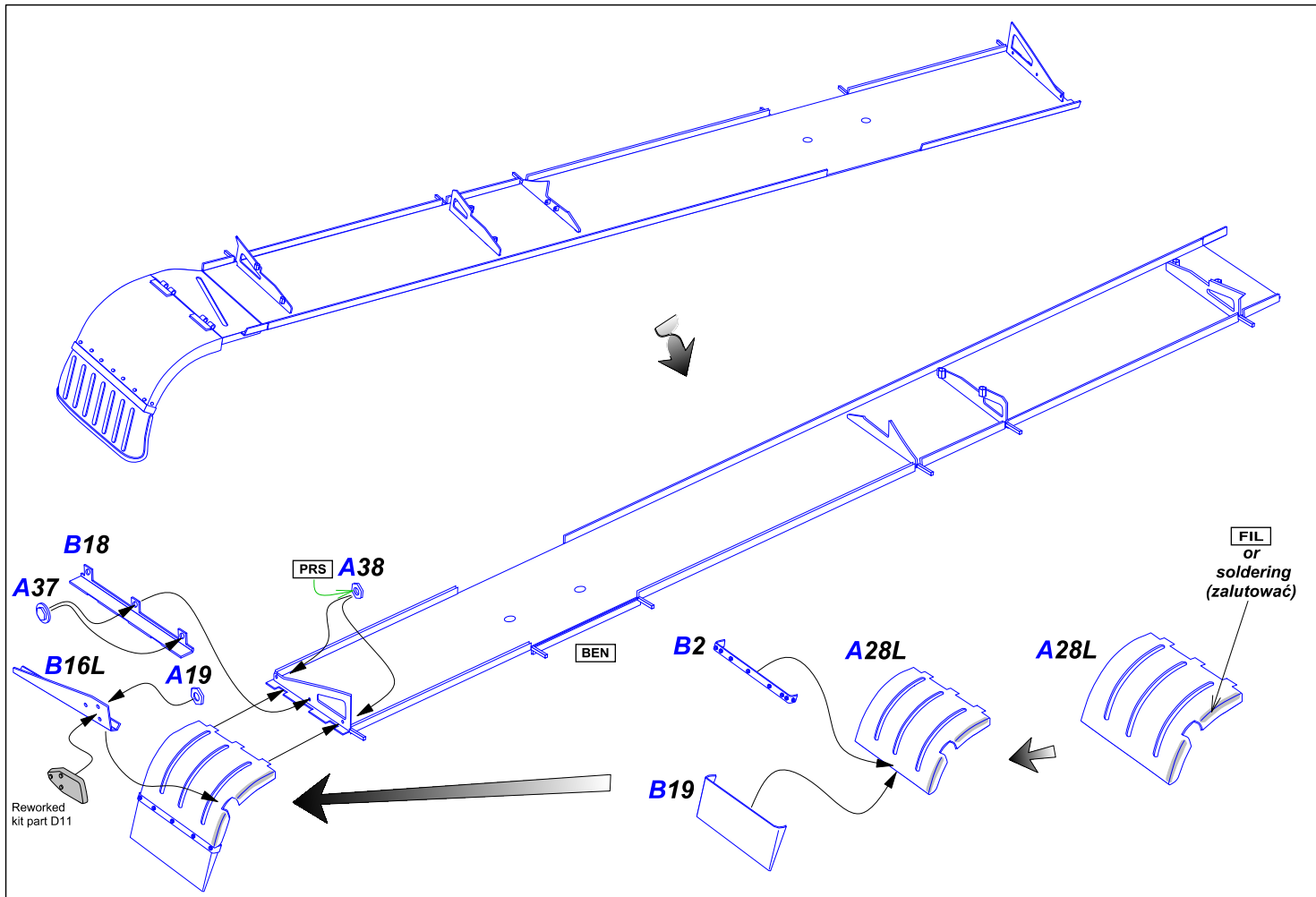
Soldering flux

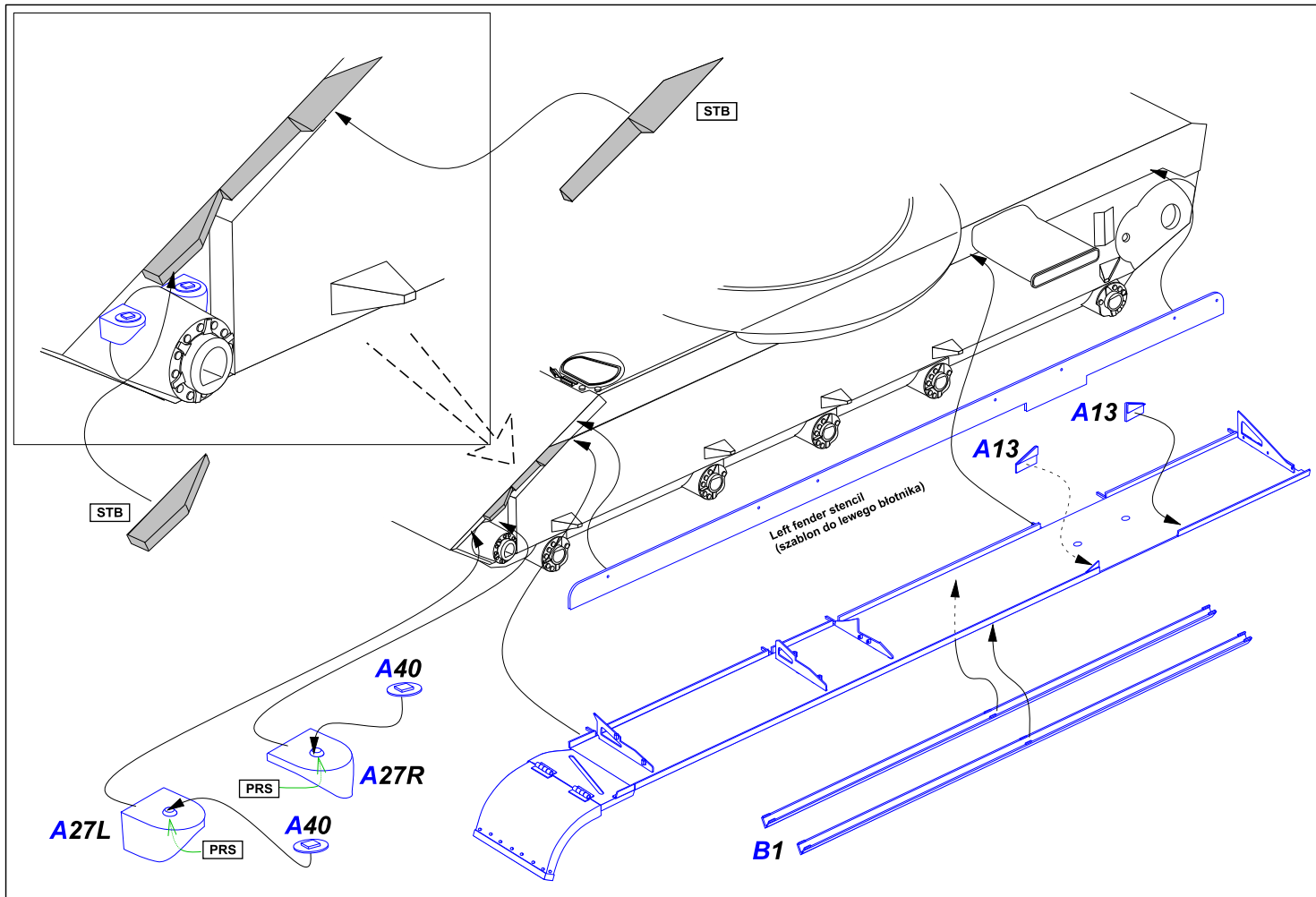


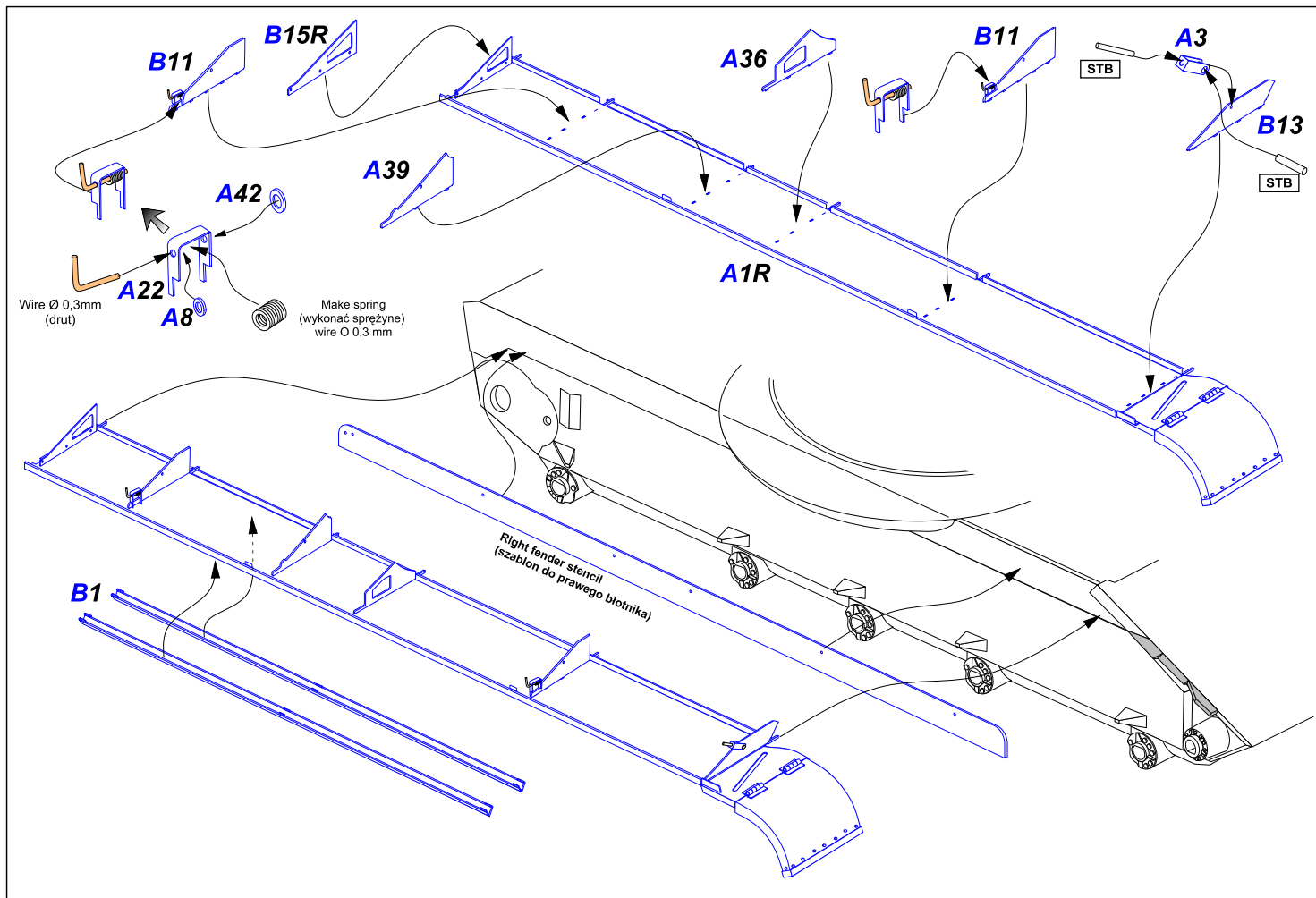
Solder

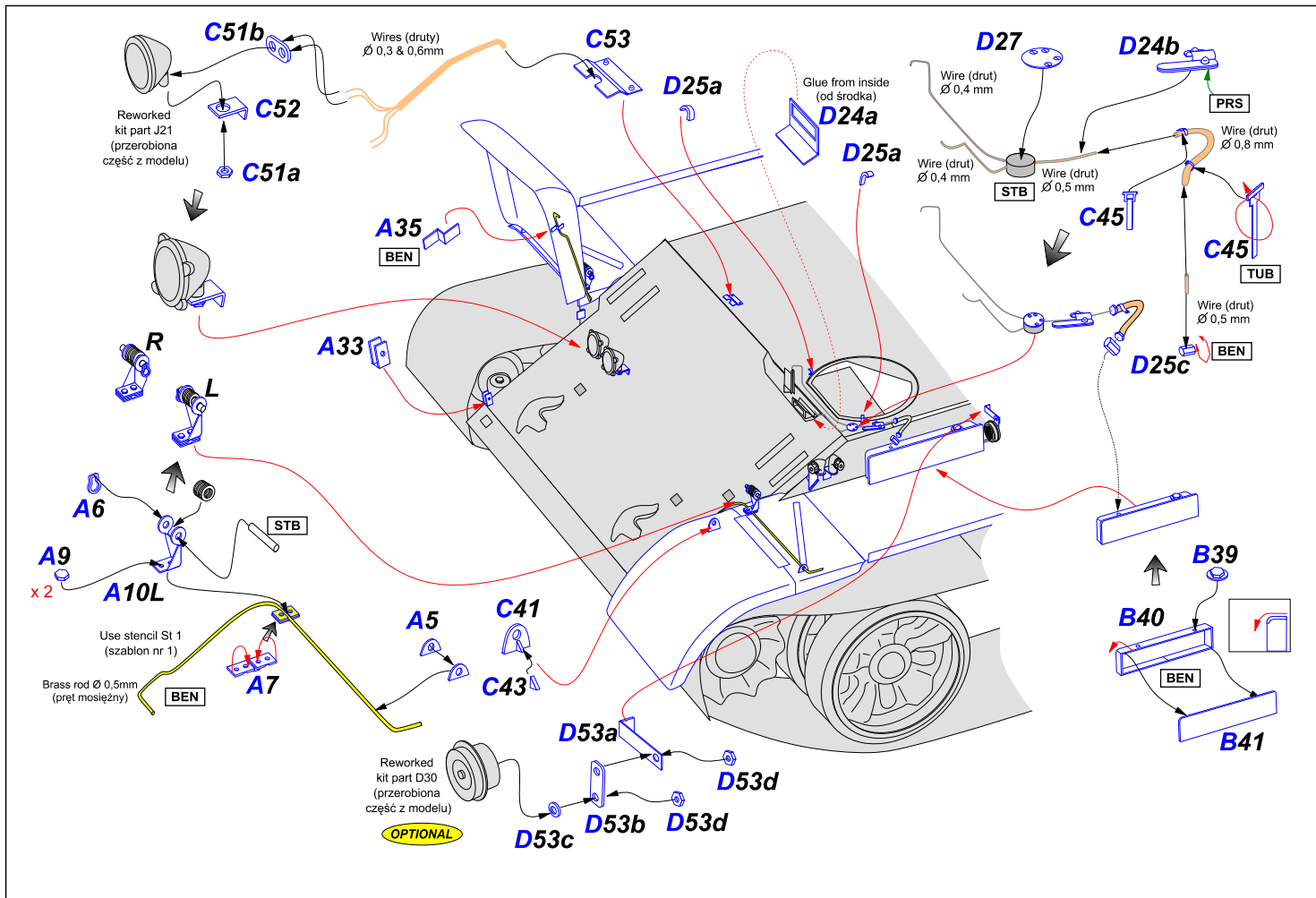


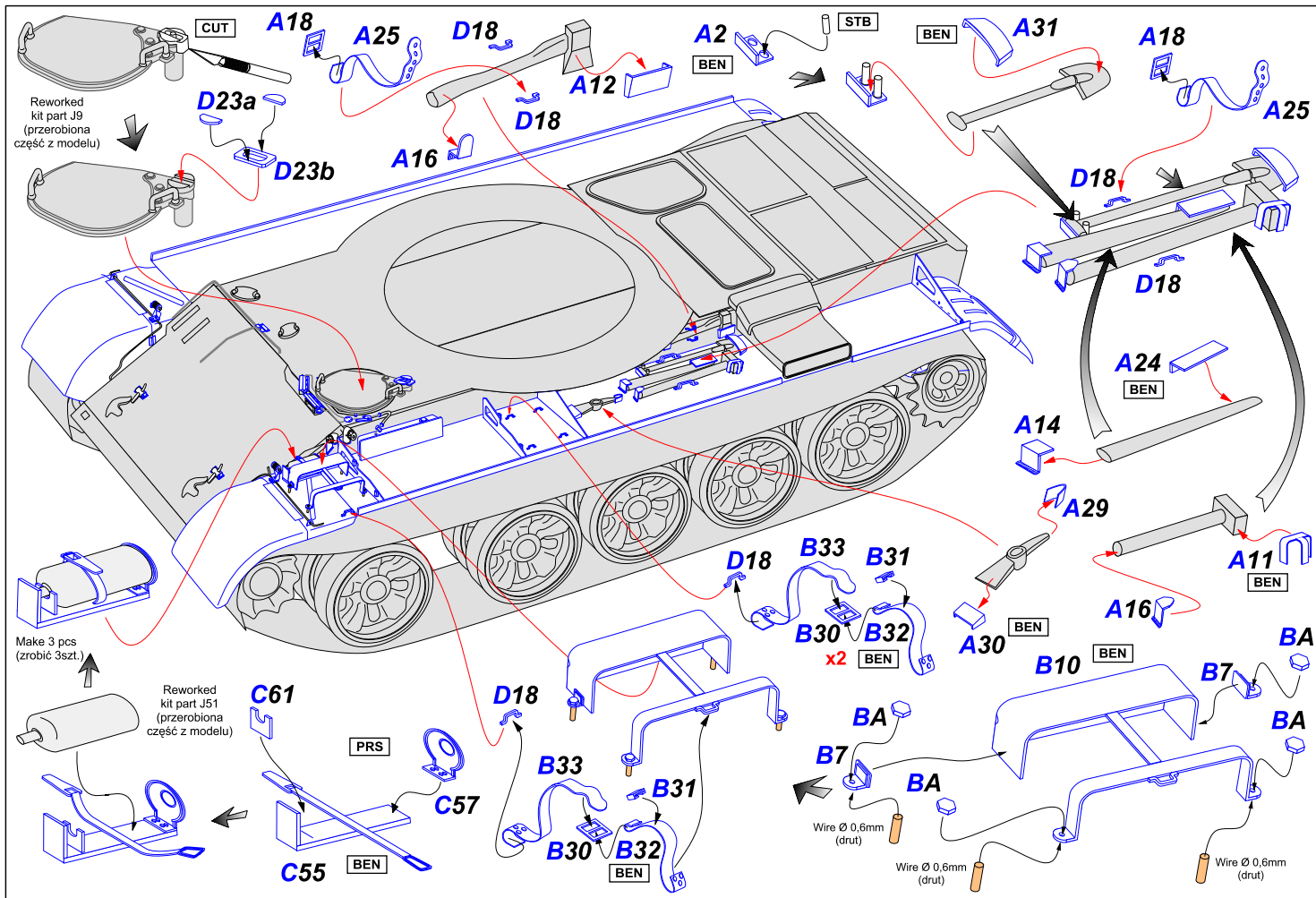












Grilles for early captured model T-55

