

1/48 SCALE

ITEM NO.:05807



H-81A-2(AVG)

霍克81A-2(飞虎队)

READ BEFORE ASSEMBLY:

- This kit is not recommended for inexperienced modelers or for children under 14 years of age
- Study and understand these instructions thoroughly before beginning assembly
- When needed, remove photo-etch parts carefully using a modeling knife or photo etch sprue cutter, being careful not to damage or lose small parts.
- Take extra care in handling photo etch parts in order to avoid injury
- Apply instant cement sparingly to photo etch parts where instructed

- Tools recommended(not included in kit):Plastic and instant cements,sprue cutters,long nose pliers,modeling knife, small files, tweezers, pin vise & scissors. Soft cloth and sandpaper will also assist in construction
- Glue and paint are not included in the kit. Use plastic cement and hobby paints only. Color guide for purchasing paint is included in the kit.
- Keep out of reach of children. They must not be allowed to ingest small parts or handle plastic bags in any way.

装配之前仔细阅读

- 小心用模型锉刀锉平所有零件表面的注射浇口。
- 小心用刀片切下蚀刻片零件，不要遗失小零件。
- 用强力快干胶水粘合蚀刻片零件和金属轴。过量的快干胶水使用可能导致可动零件会粘住，小心涂胶。
- 取蚀刻片时应特别注意安全，防止利边划伤手指。
- 某些零件表面需贴水上贴纸，请选择在装配的同时进行。
- 推荐模型工具(自备)：胶水，水口剪刀，长咀钳，刀片，锉刀，镊子钳，钻，剪刀，瞬间快干胶。
- 软布同砂纸同时也应该是必备工具。
- 请使用塑料胶水和油漆，模型内不含。
- 谨防小孩吸吮塑料零件，或者将塑料袋套在头上，制作时应将套材远离小孩接触。
- 本产品不适合14岁以下没有经验的模型爱好者。

水贴纸的使用:

1. 从水贴上剪下印花;
2. 将印花放入温水中浸10秒, 然后放在干净布上.
3. 拿着印花纸板将印花移到模型上;
4. 手指蘸水将印花移到适当的位置;
5. 用软布轻压印花直至水干, 气泡消失.

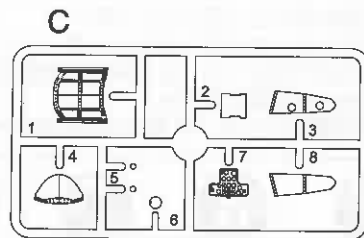
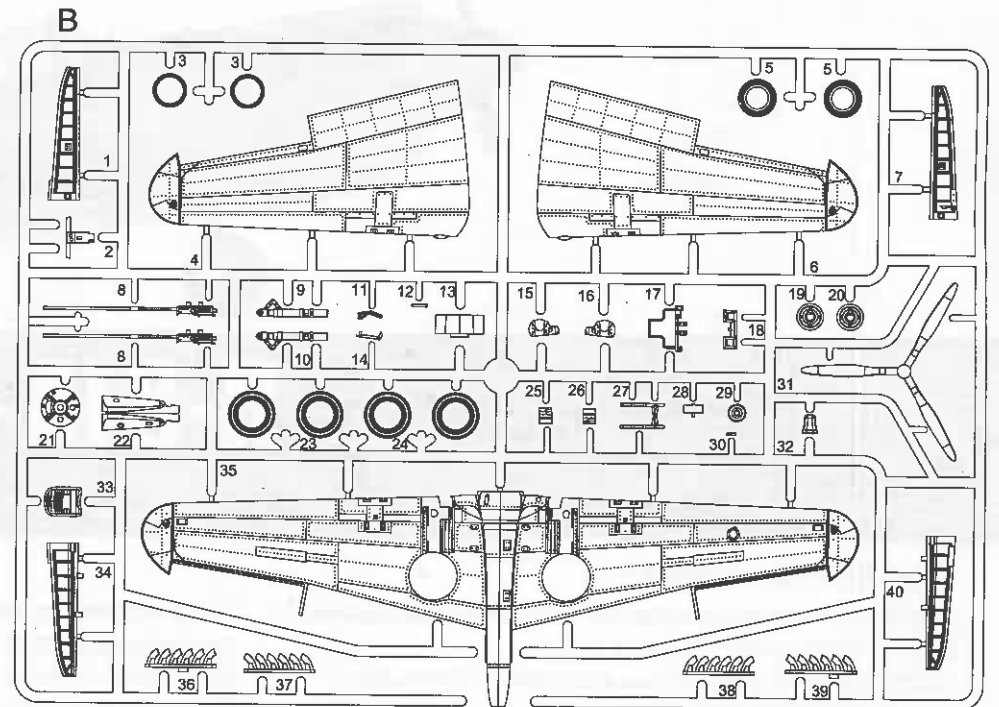
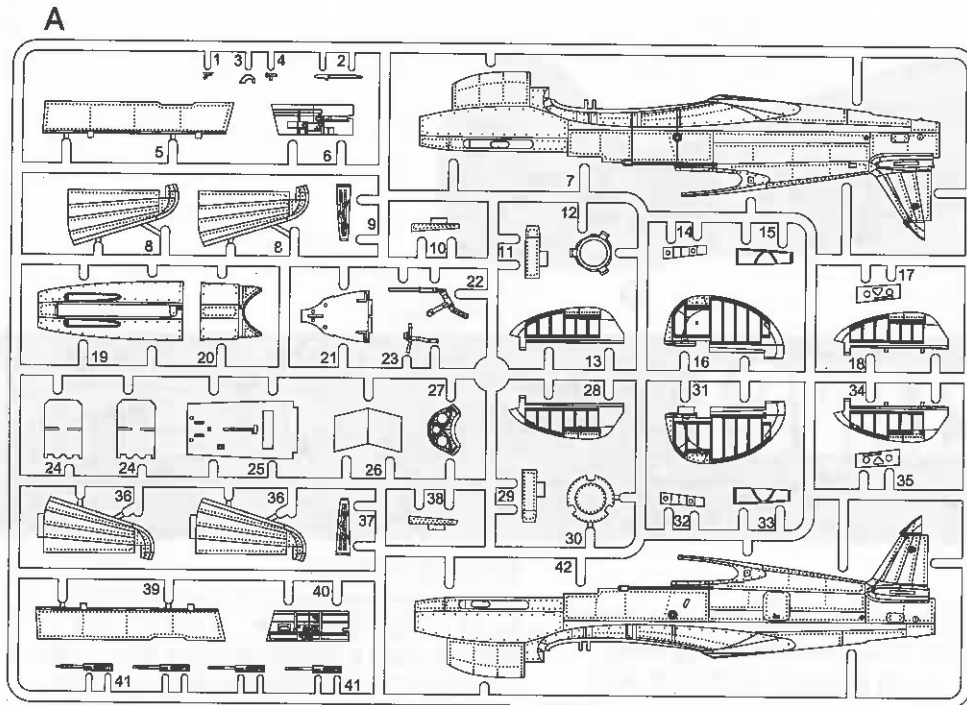
DECAL APPLICATION:

1. Cut decals from sheet as needed
2. Dip the decal in warm water for about 10 seconds and then place on soft clean cloth.
3. Hold the decal backing sheet edge and gently slide the decal onto the model in its proper position.

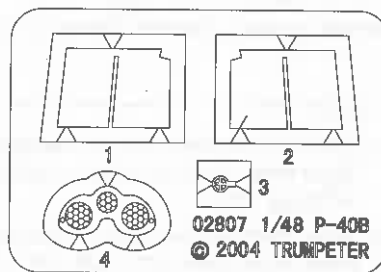
4. While still wet,decal can be adjusted for better fit on model by dampening it gently with your finger.
5. When placed in the proper position,gently press decal down with a soft cloth until excess water and air bubbles are gone.
6. Allow decal to dry completely before handling model



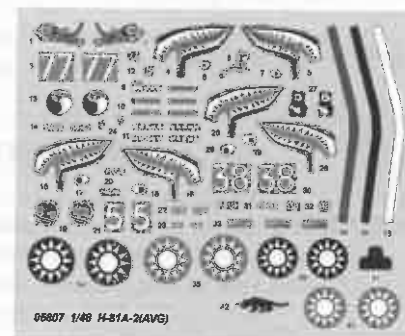
部品图 Parts



蚀刻片
Photo etched-part (PE)



《水贴纸》
Decal



1 座舱的组装
Cockpit assembly

贴纸 (41)
Decal

H 12 33
消光黑
Flat black

H 340 340
原野绿
Field Green

A24+A24

B33

H 340 340
原野绿
Field Green

B32

B2

B18

B17

A23

B12

B27

A25

H 12 33
消光黑
Flat black

B22

H 340 340
原野绿
Field Green

A21

机身色
Body color

2 主轮的组装
Main gear assembly

H 77 137
胎黑色
Tire Black

B23

B5

B3

B24

H 8 8
银色
Silver

制作2组
Make two

B20

B19

H 8 8
银色
Silver

3 左侧主起落架的组装
Left main undercarriage assembly

B9

H 8 8
银色
Silver

4 右侧主起落架的组装
Right main undercarriage assembly

B10

H 8 8
银色
Silver

5 左机身的组装
Left fuselage assembly

A42

H 340 340
原野绿
Field Green

A6

H 12 33
消光黑
Flat black

6 右机身的组装
Right fuselage assembly

H 340 340
原野绿
Field Green

A40

A4

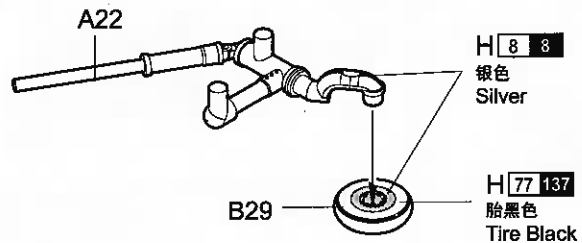
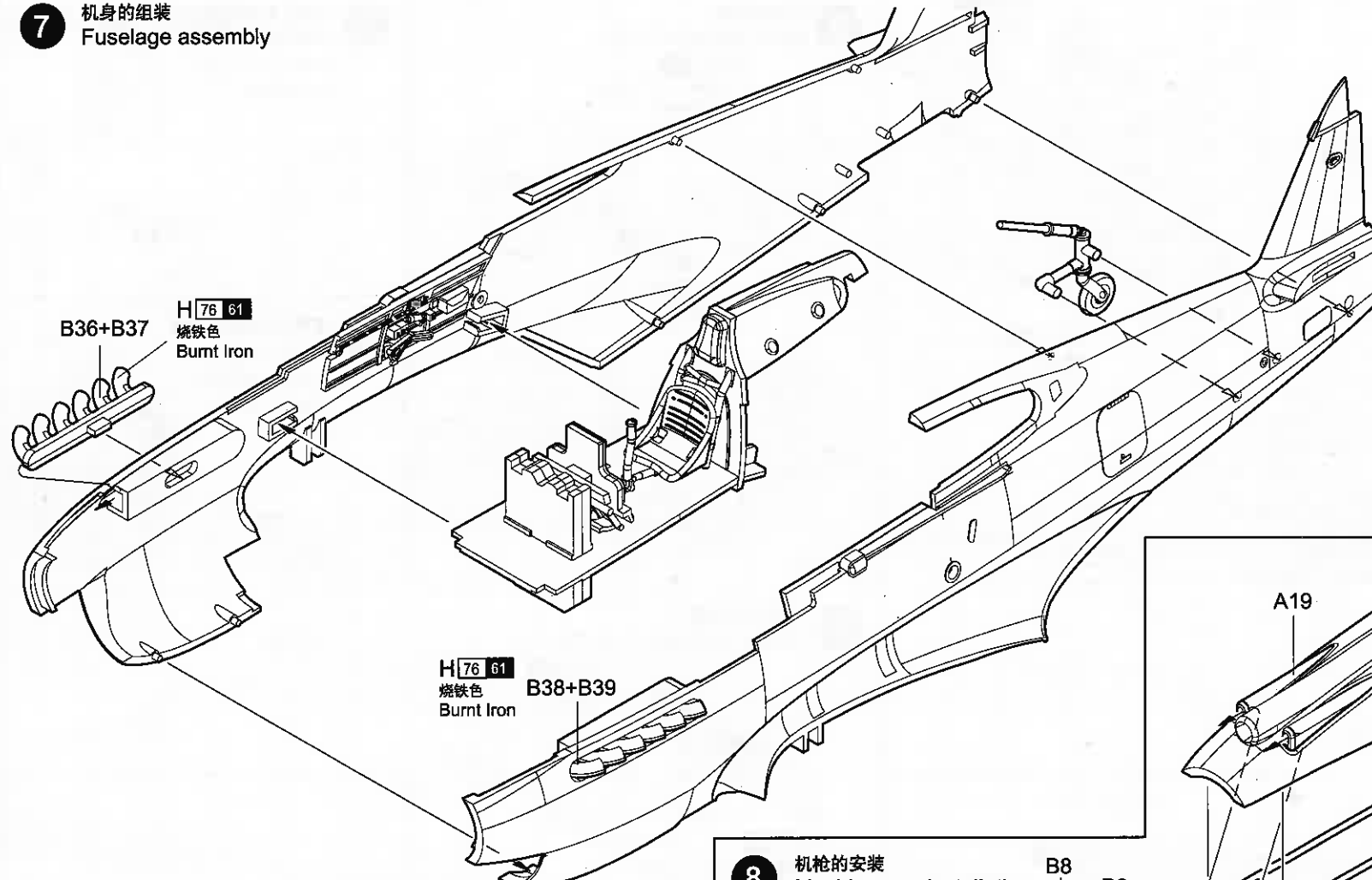
A7

H 12 33
消光黑
Flat black

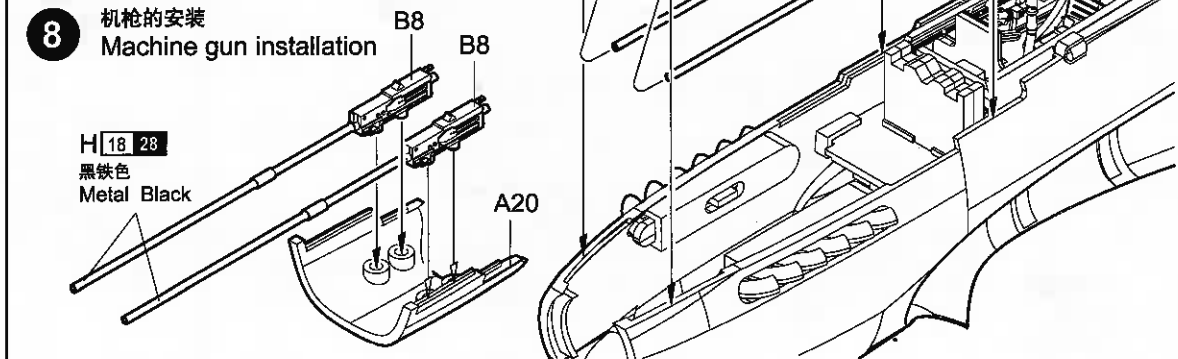
B11

H 12 33
消光黑
Flat black

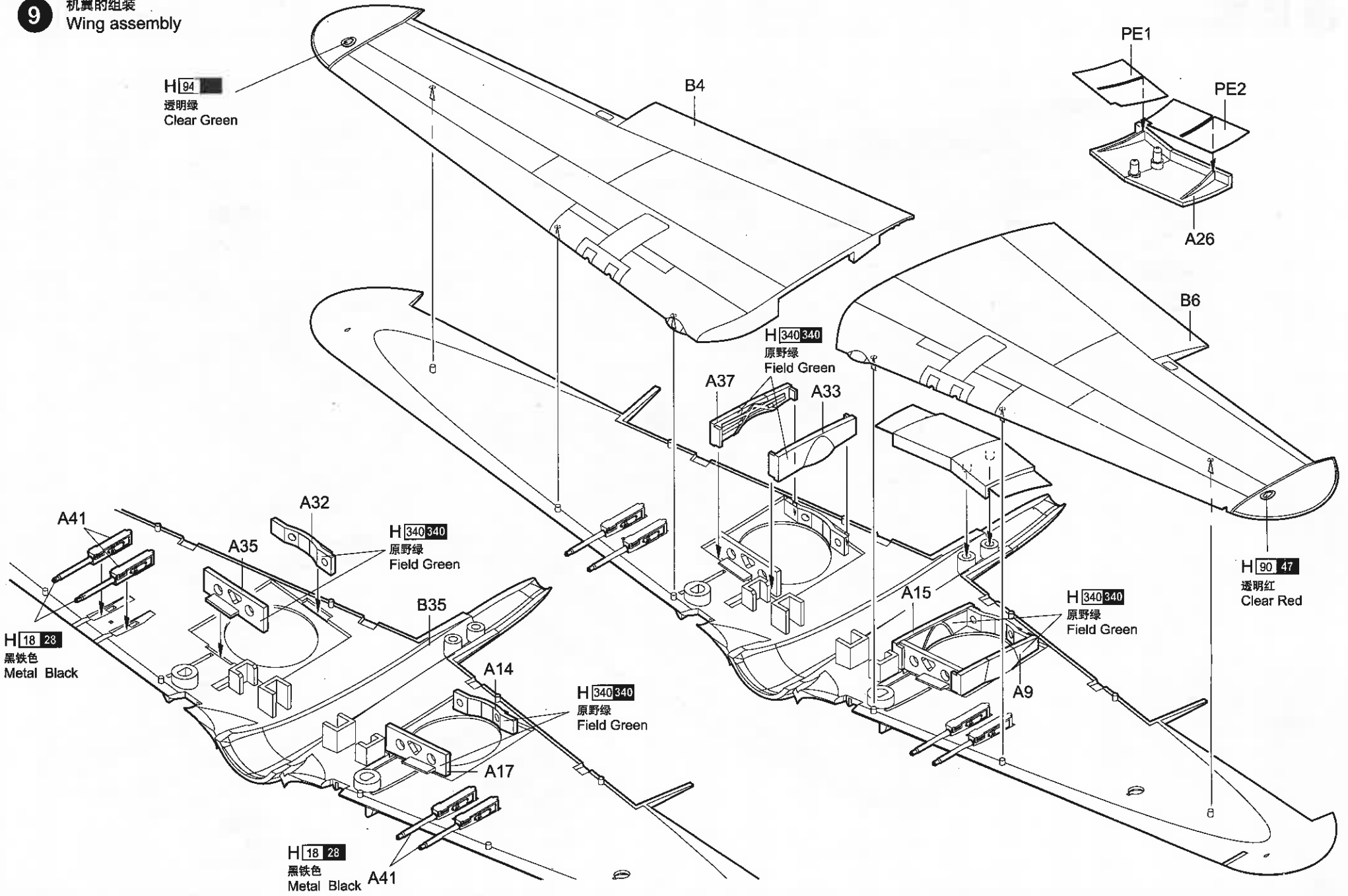
7 机身的组装
Fuselage assembly



8 机枪的安装
Machine gun installation

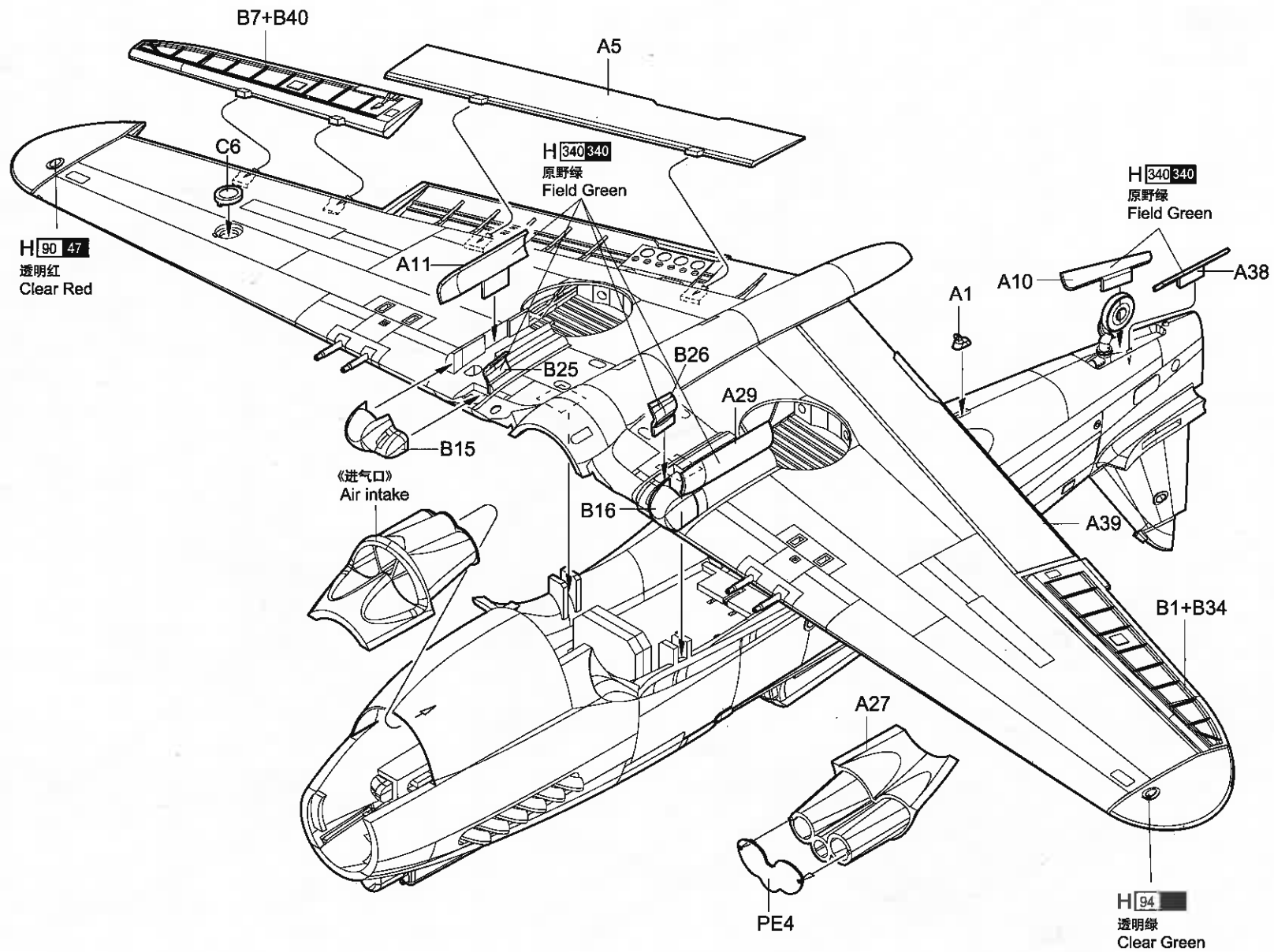


9 机翼的组装
Wing assembly

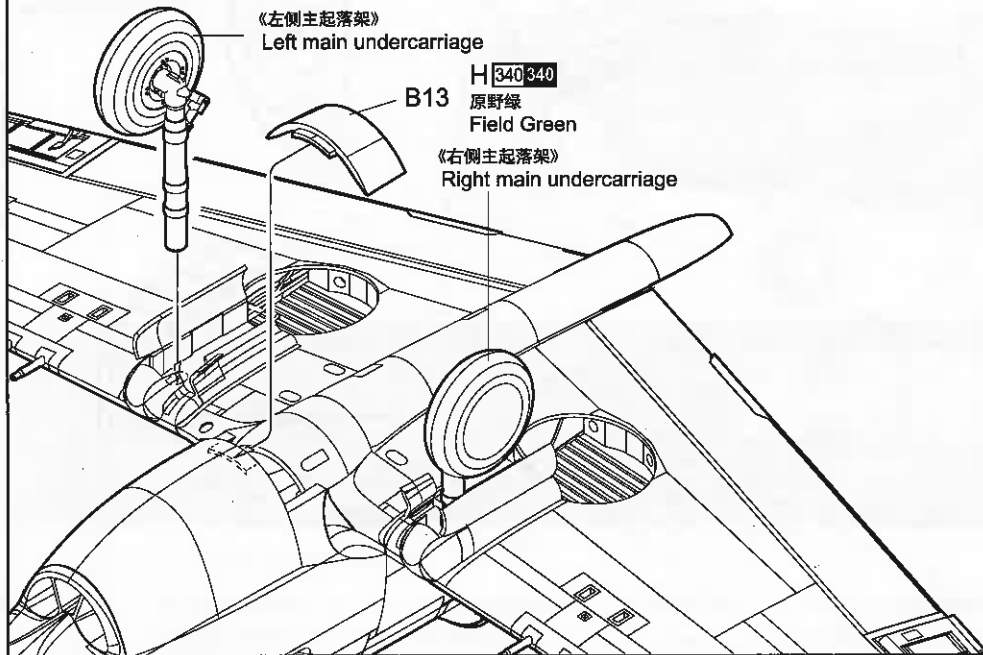


10

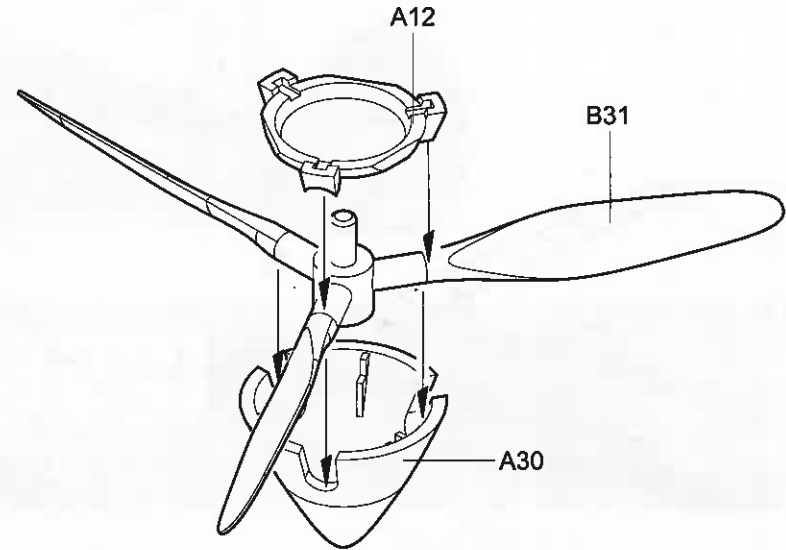
机翼的安装
Wing installation



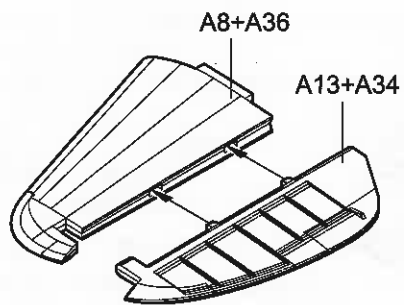
11 主起落架的安装
Main undercarriage installation



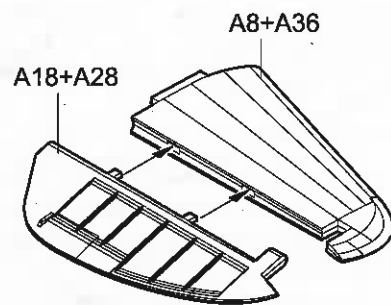
12 螺旋桨的组装
Propeller assembly



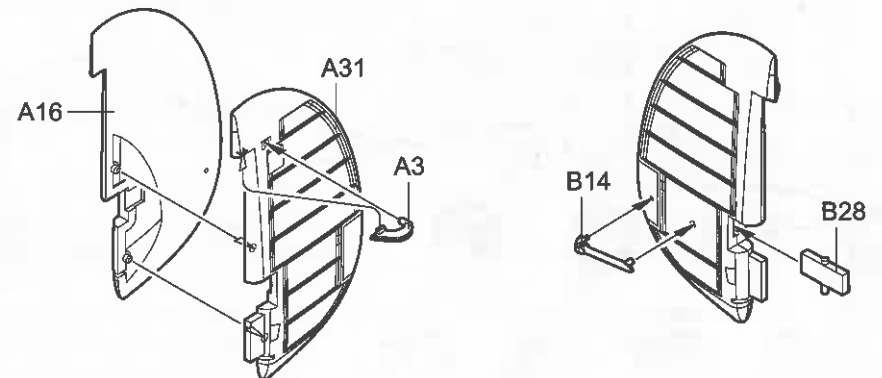
13 «左侧水平尾翼»
Left horizontal stabilizer



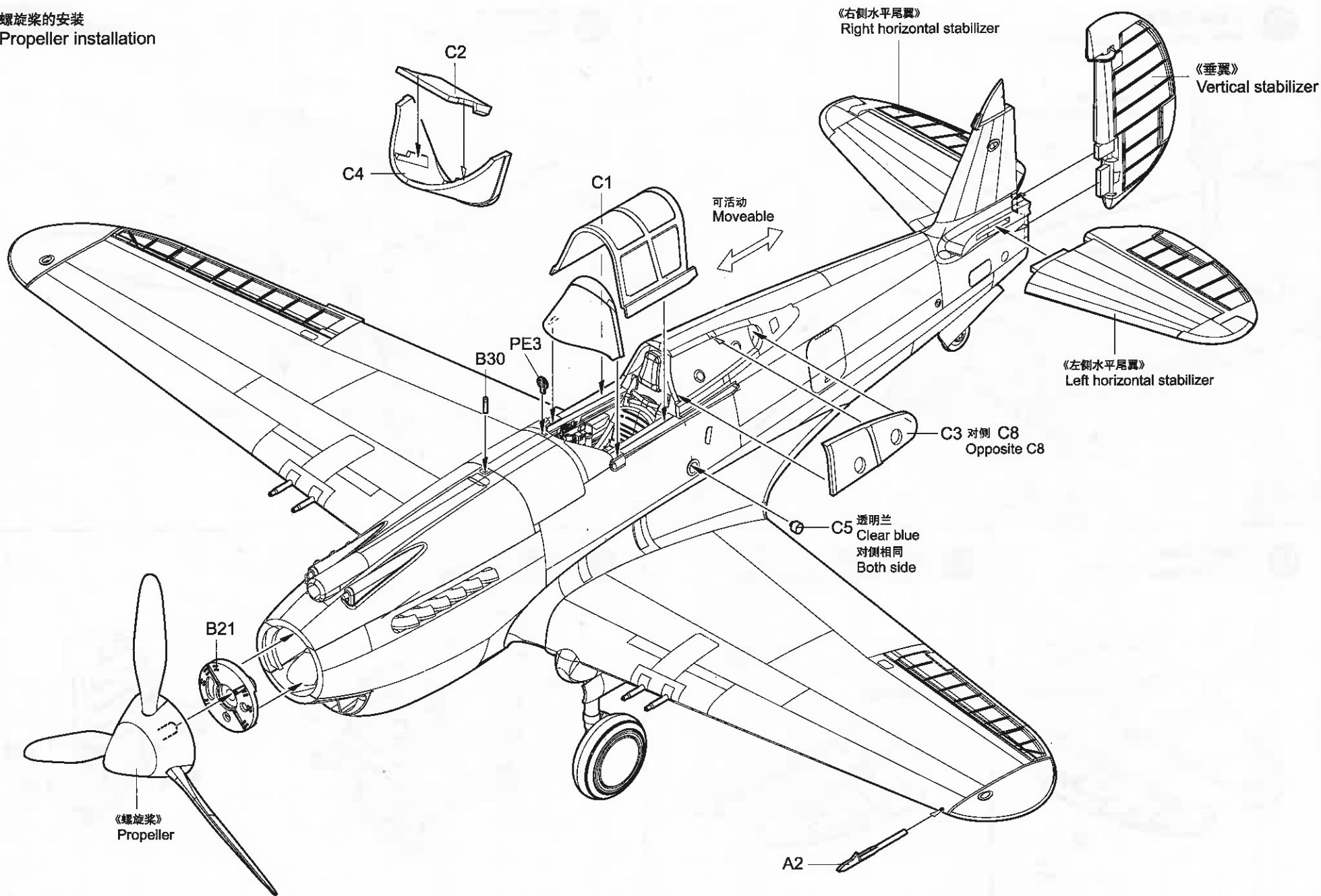
14 «右侧水平尾翼»
Right horizontal stabilizer



15 «垂翼»
Vertical stabilizer



16 螺旋桨的安装
Propeller installation

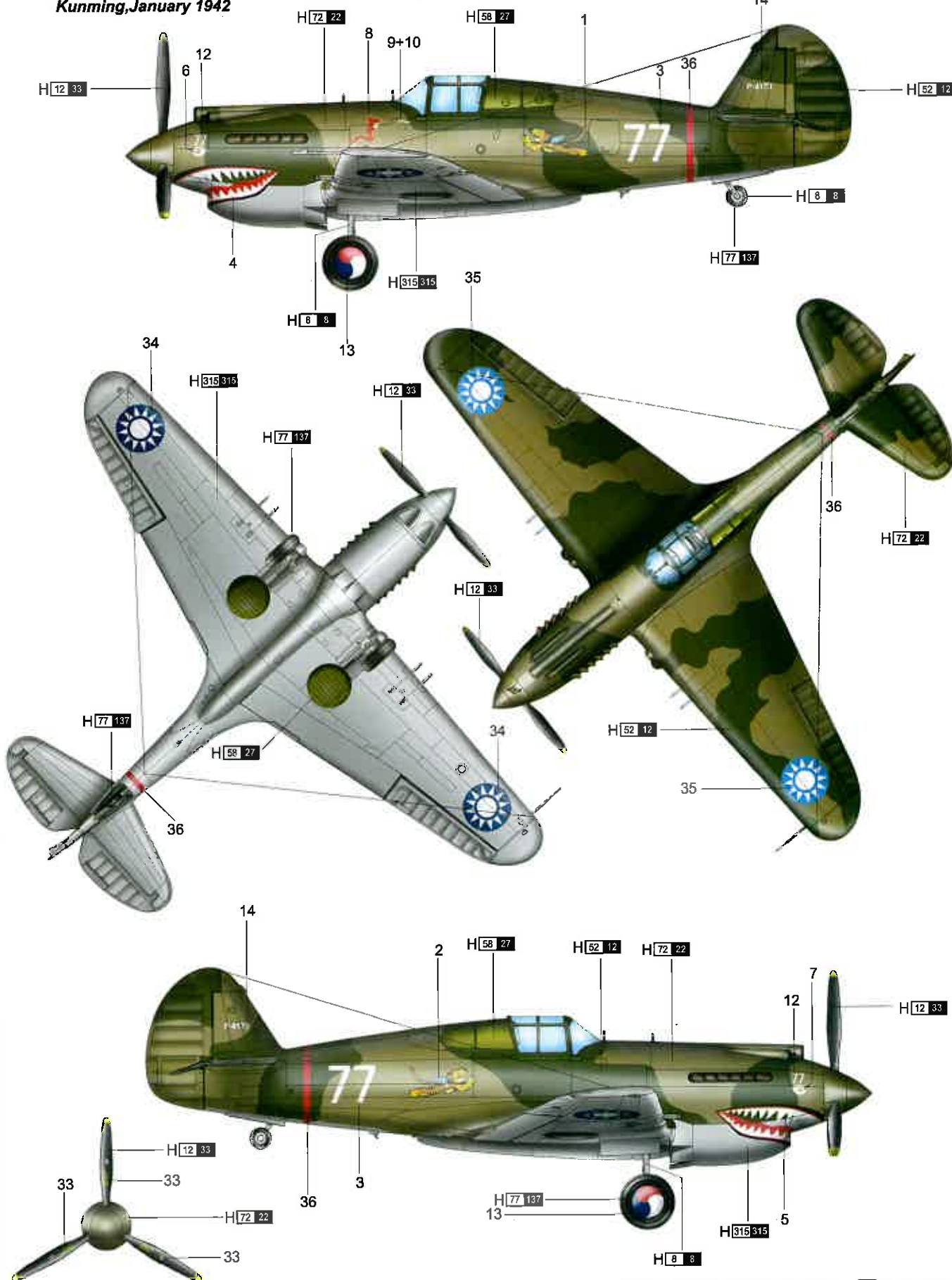


涂装同标贴指示 Painting & Marking guide

A Hawk 81-A-2 R.T.Smith, P-8173
Flight Leader 3rd. P.S, American Volunteer Group
Kunming, January 1942

PAINT REFERENCE COLOUR					
Color	Mr.Hobby	Vallejo	Model Master	Tamiya	Humbrol
Dark Earth 深土色	H 72 22	873	1702	XF52	29
Olive Drab (1) 橄欖綠	H 52 12	887	1711	XF82	155
Light Grey 灰色	H 315 315	843	1730	-	129

PAINT REFERENCE COLOUR					
Color	Mr.Hobby	Vallejo	Model Master	Tamiya	Humbrol
Tire Black 輪胎色	H 77 137	-	-	-	-
Black 黑色	H 12 33	950	1749	XF1	33
Dark Green 深綠色	H 58 27	864	1402	-	-
Silver 銀色	H 8 8	997	1546	X11	11



H X AQUEOUS HOBBY COLOUR X MR.COLOUR

涂装同标贴指示 Painting & Marking guide

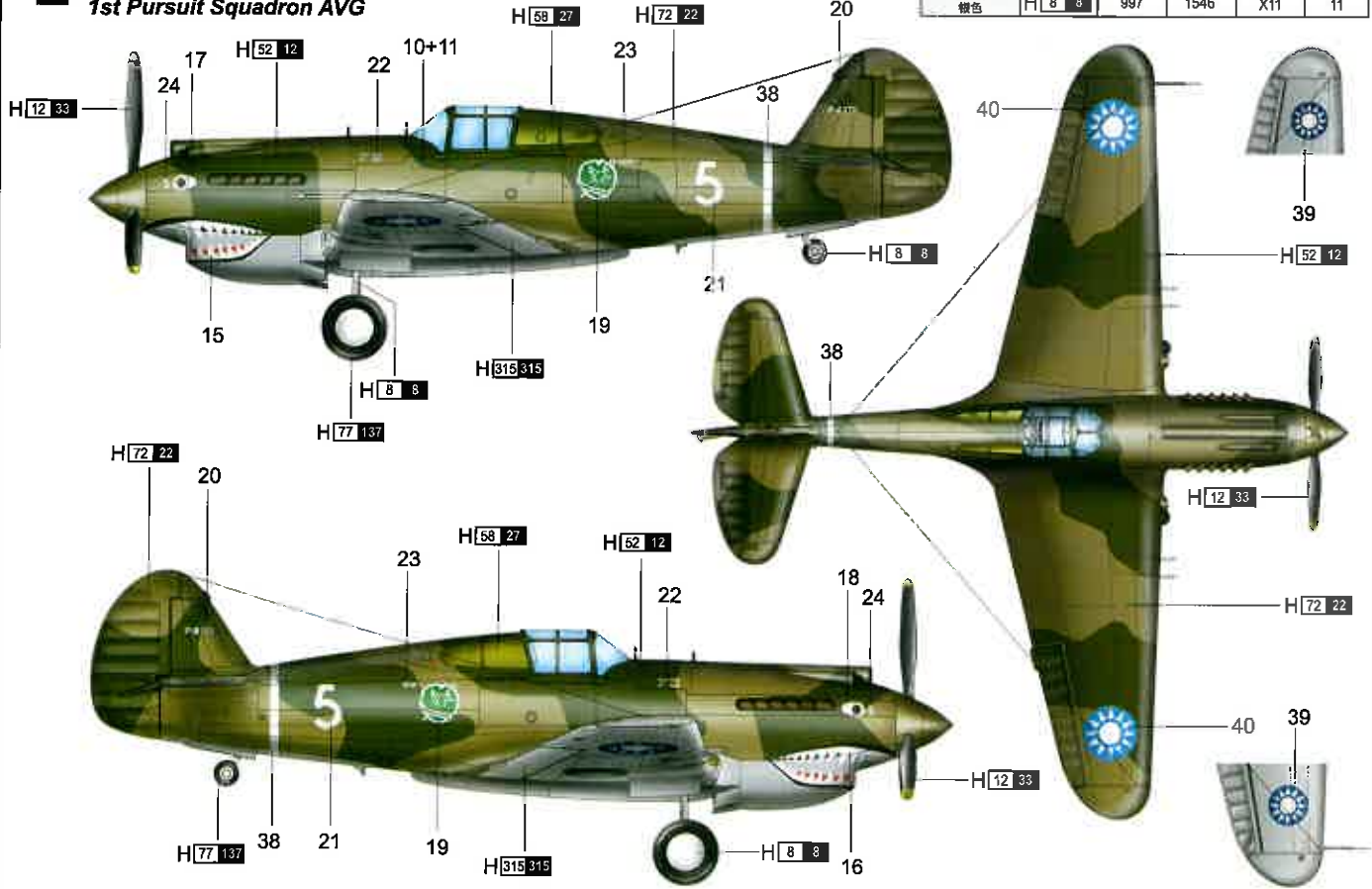
PAINT REFERENCE COLOUR

Color	Mr.Hobby	Vallejo	Model Master	Tamiya	Humbrol
Dark Earth 暗土色	H 72 22	873	1702	XF52	29
Dark Green 暗绿色	H 52 12	887	1711	XF62	165
Slight Earth 灰色	H 8 8	843	1730	-	129

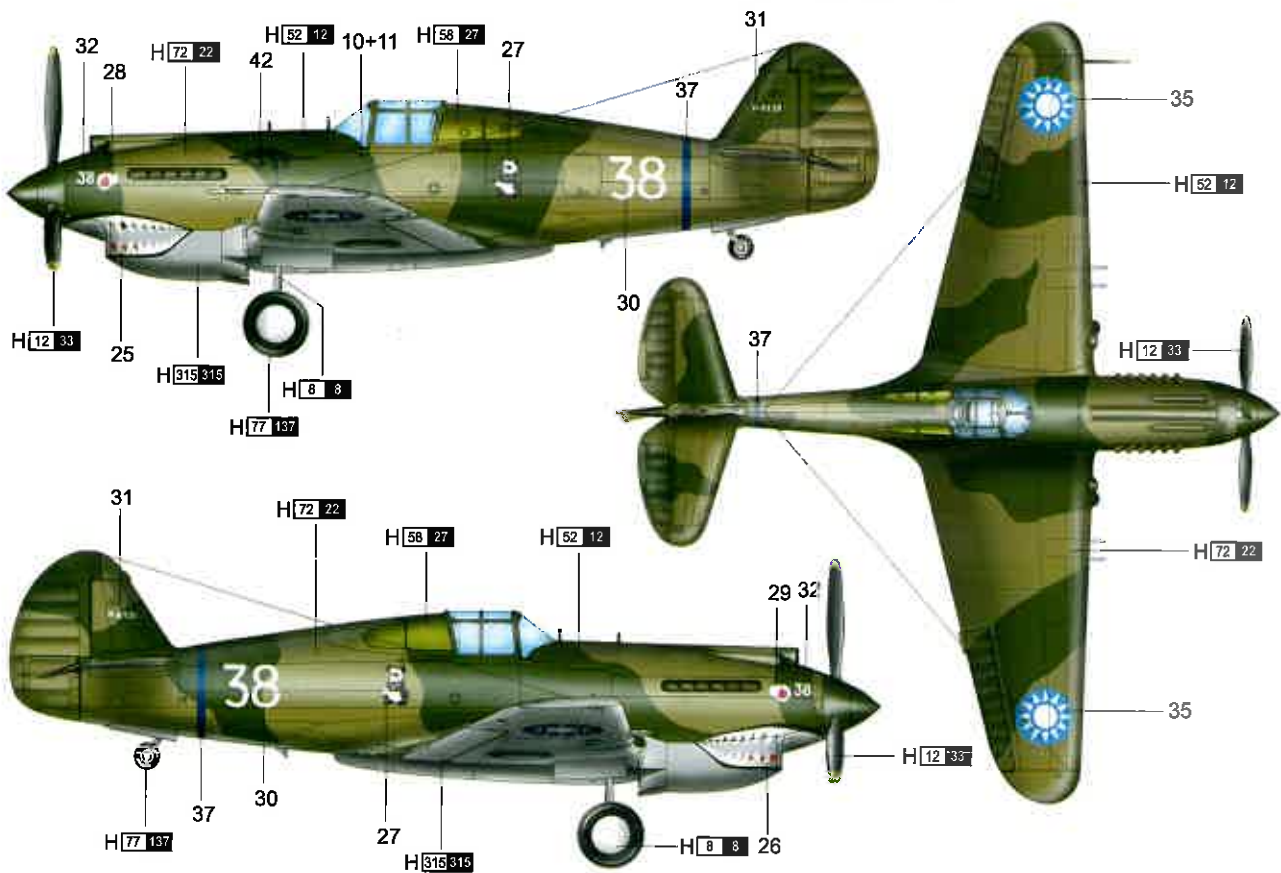
PAINT REFERENCE COLOUR

Color	Mr.Hobby	Vallejo	Model Master	Tamiya	Humbrol
Flat Black 海黑色	H 77 137	-	-	-	-
Flat Blue 海蓝色	H 12 33	950	1749	XF1	33
Flat Green 海绿色	H 58 27	864	1402	-	-
Silver 银色	H 8 8	997	1546	X11	11

B Hawk 81A-2 Charles Bond 1st Pursuit Squadron AVG



C Hawk 81A-2 Squadron Leader John Kuren Newkrik 2nd.Ps "Panda Bears" February 1942



H [X] AQUEOUS HOBBY COLOUR [X] MR.COLOUR