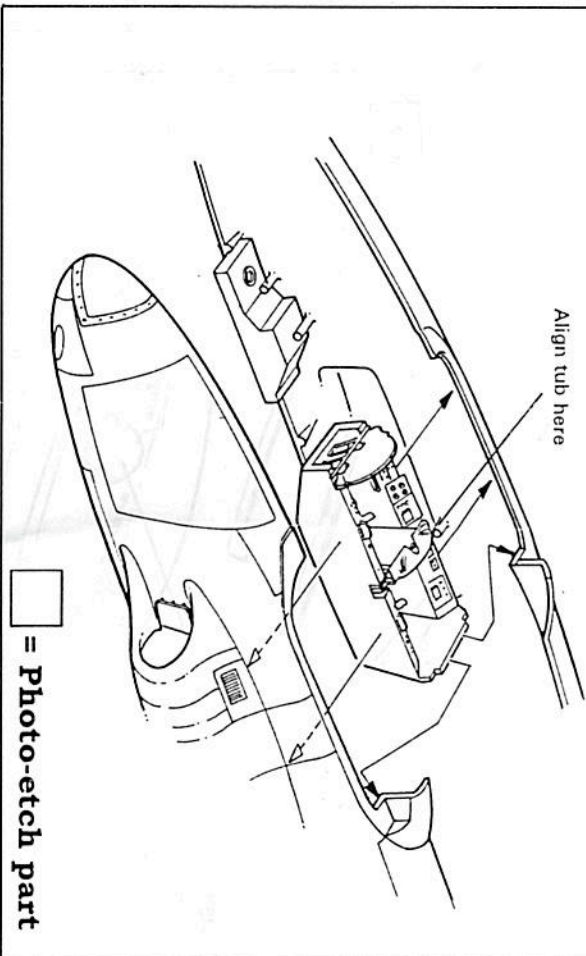
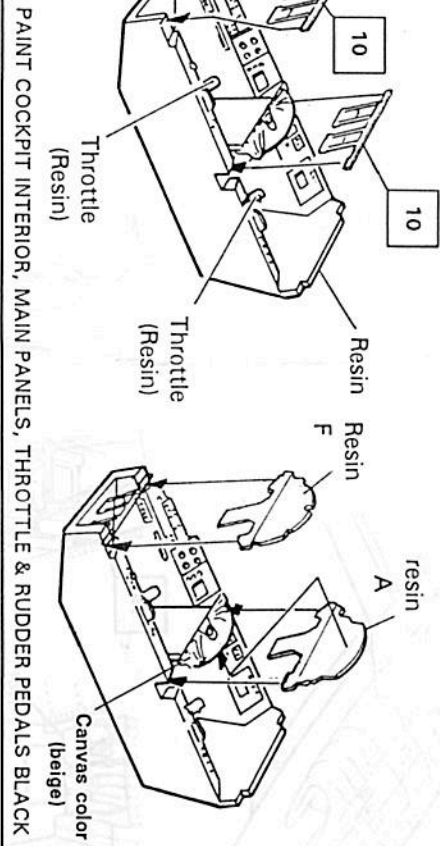


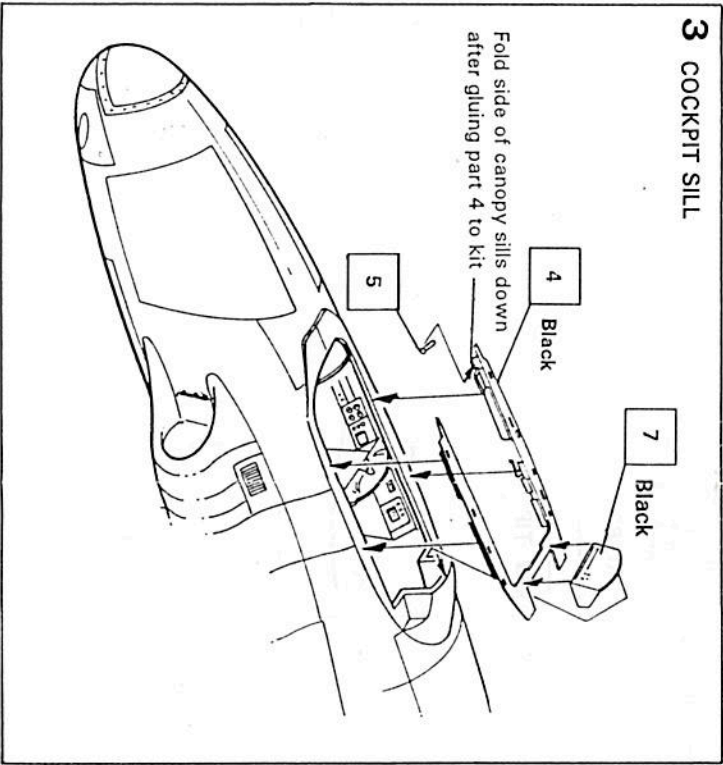


**AMC**  
**T-33 SHOOTING STAR Update Set**  
**1/48 Scale**  
**Recommended kit: Hobbycraft 48-4008**

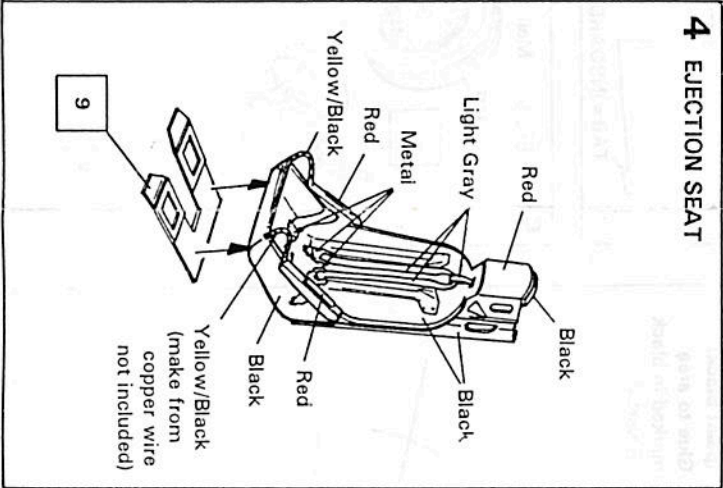
**1 COCKPIT TUB**



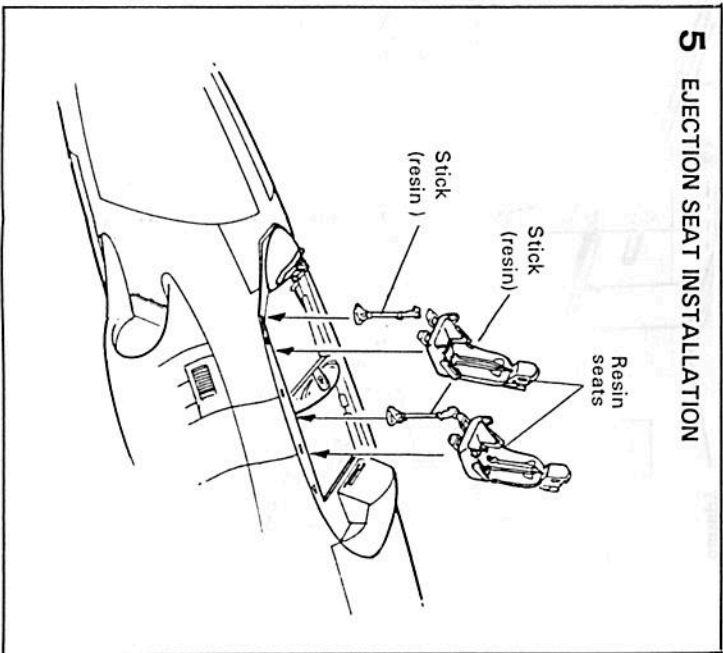
**3 COCKPIT SILL**



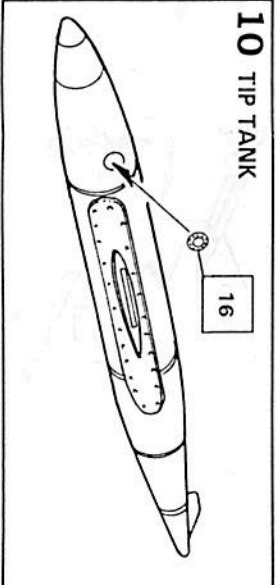
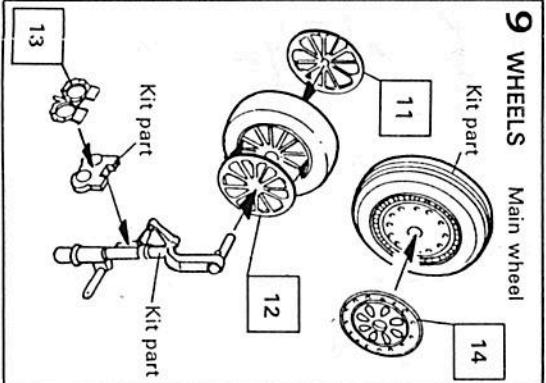
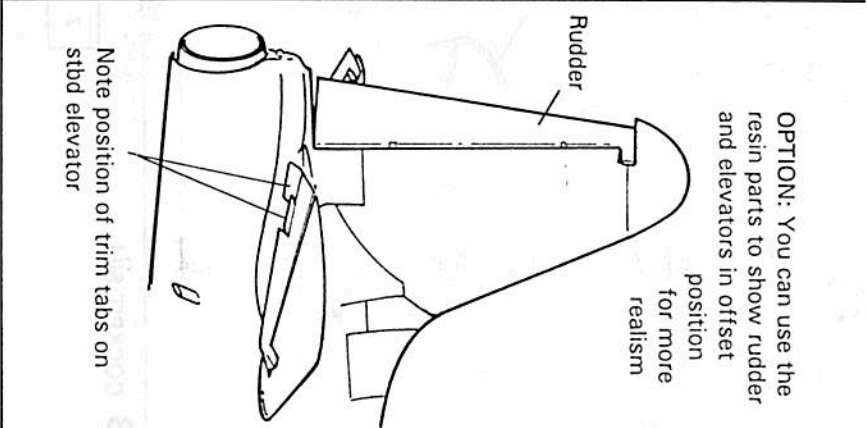
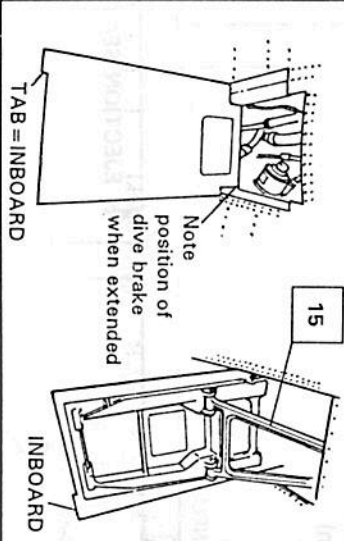
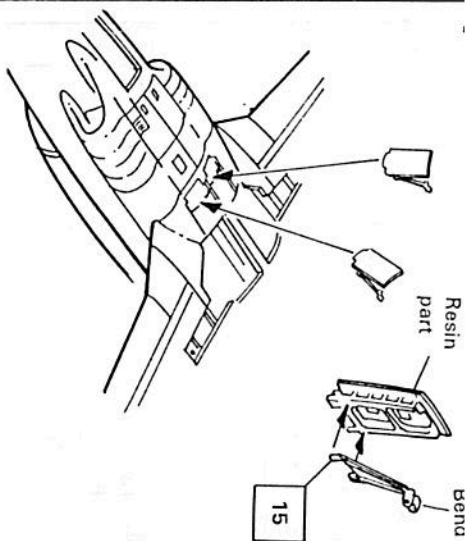
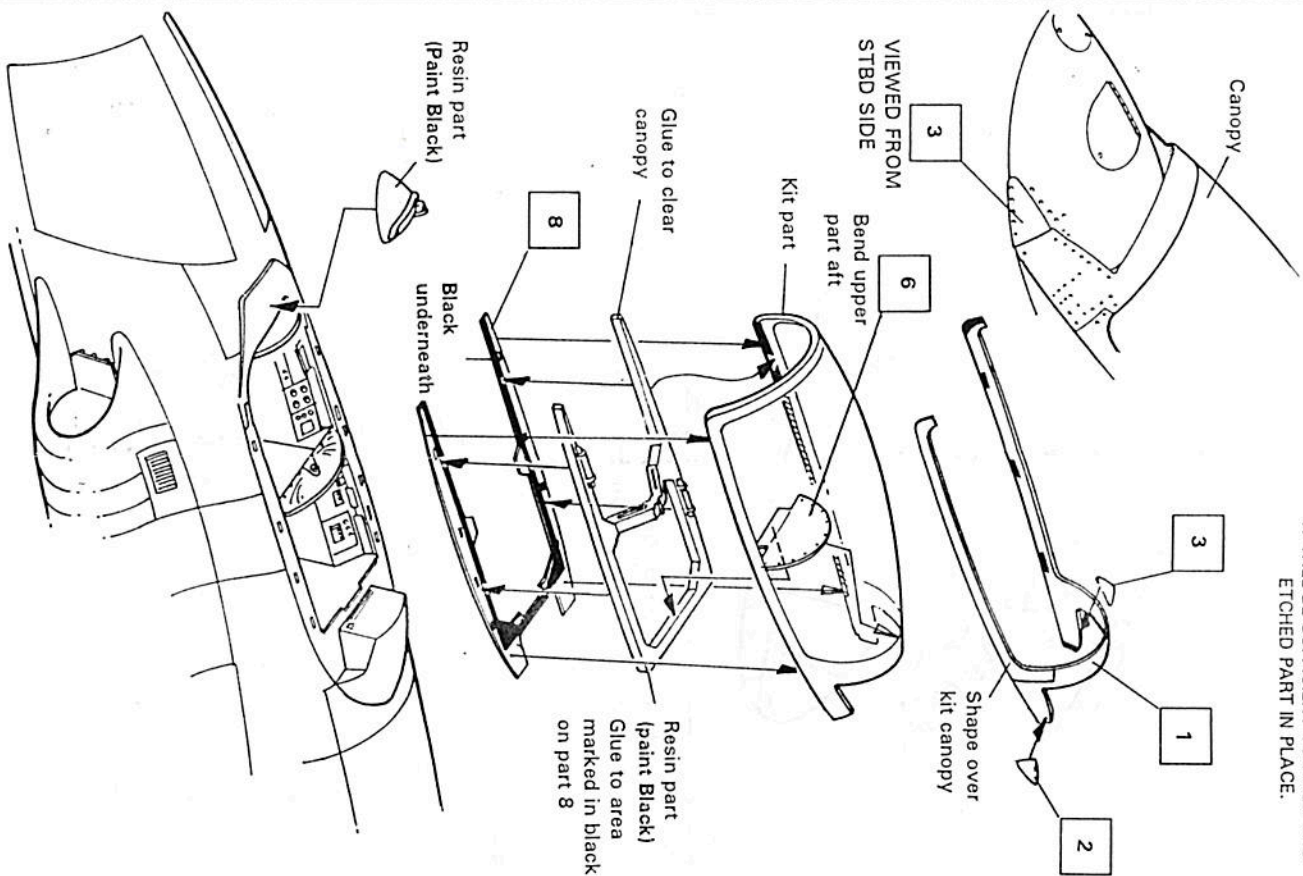
**4 EJECTION SEAT**



**5 EJECTION SEAT INSTALLATION**



**NOTE**  
 ONLY APPLY GLUE TO PLACES MARKED  
 IN BLACK ON PART 1.  
 IT WILL BE SUFFICIENT TO HOLD THE  
 ETCHED PART IN PLACE.



ALSO AVAILABLE FROM KMC FOR THE T-33 KIT:  
 48-5043 T-33 265 GALLON TIP TANKS  
 (Korea/ also F-80)  
 48-5044 T-33 INTAKES

ALSO LOOK FOR AEROMASTER DECALS TO  
 DECORATE YOUR T-33 IN KOREA COLORS