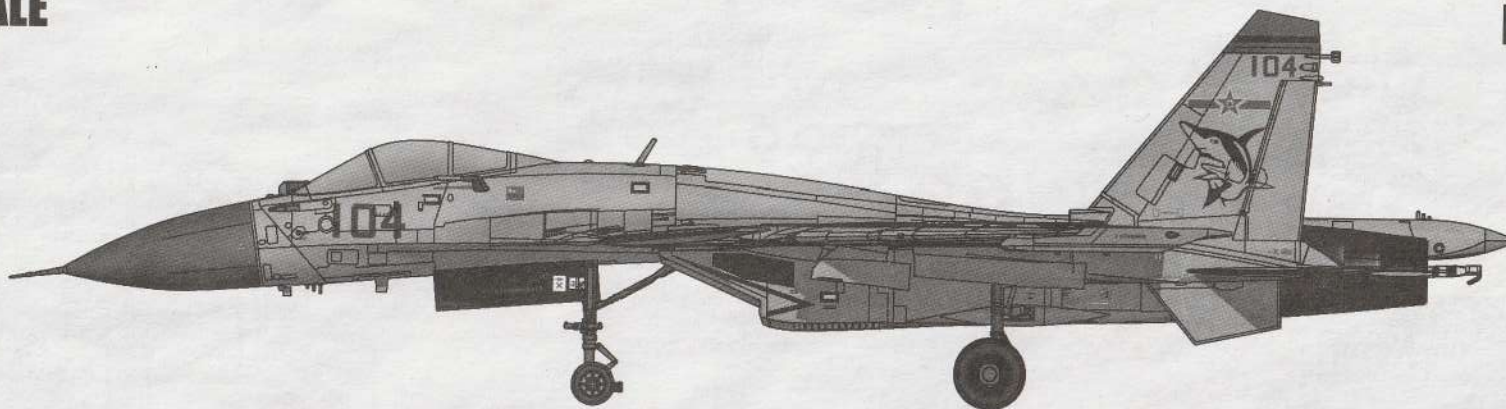


1/72 SCALE

ITEM NO.:01668



# Chinese J-15

## 中国歼-15战斗机

### READ BEFORE ASSEMBLY:

- This kit is not recommended for inexperienced modelers or for children under 14 years of age
- Study and understand these instructions thoroughly before beginning assembly
- When needed, remove photo-etch parts carefully using a modeling knife or photo etch sprue cutter, being careful not to damage or lose small parts.
- Take extra care in handling photo etch parts in order to avoid injury
- Apply instant cement sparingly to photo etch parts where instructed

- Tools recommended(not included in kit):Plastic and instant cements,sprue cutters,long nose pliers,modeling knife, small files, tweezers, pin vise & scissors. Soft cloth and sandpaper will also assist in construction
- Glue and paint are not included in the kit. Use plastic cement and hobby paints only. Color guide for purchasing paint is included in the kit.
- Keep out of reach of children. They must not be allowed to ingest small parts or handle plastic bags in any way.

### 装配之前仔细阅读

- 小心用模型锉刀锉平所有零件表面的注射浇口。
- 小心用刀片切下蚀刻片零件，不要遗失小零件。
- 用强力快干胶水粘合蚀刻片零件和金属轴。过量的快干胶水使用可能导致可动零件会粘住，小心涂胶。
- 取蚀刻片时应特别注意安全，防止利边划伤手指。
- 某些零件表面需贴上水贴纸，请选择在装配的同时进行。
- 推荐模型工具(自备)：胶水，水口剪刀，长咀钳，刀片，锉刀，镊子钳，钻，剪刀，瞬间快干胶。
- 软布同砂纸同时也应该是必备工具。
- 请使用塑料胶水和油漆，模型内不含。
- 谨防小孩吸吮塑料零件，或者将塑料袋套在头上，制作时应将套材远离小孩接触。
- 本产品不适合14岁以下没有经验的模型爱好者。

### 水贴纸的使用:

1. 从水贴纸上剪下印花;
2. 将印花放入温水中浸10秒，然后放在干净布上。
3. 拿着印花纸板将印花移到模型上;
4. 手指蘸水将印花移到适当的位置;
5. 用软布轻压印花直至水干，气泡消失。

### DECAL APPLICATION:

1. Cut decals from sheet as needed
2. Dip the decal in warm water for about 10 seconds and then place on soft clean cloth.
3. Hold the decal backing sheet edge and gently slide the decal onto the model in its proper position.

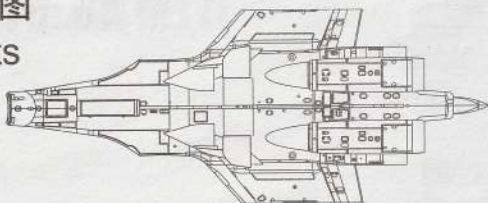
4. While still wet,decal can be adjusted for better fit on model by dampening it gently with your finger.
5. When placed in the proper position,gently press decal down with a soft cloth until excess water and air bubbles are gone.
6. Allow decal to dry completely before handling model



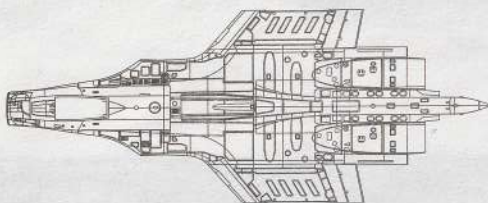
部品图

Parts

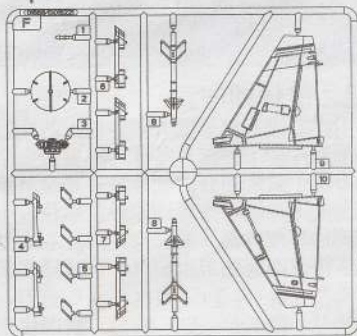
A2



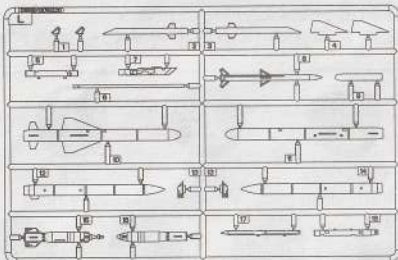
A1



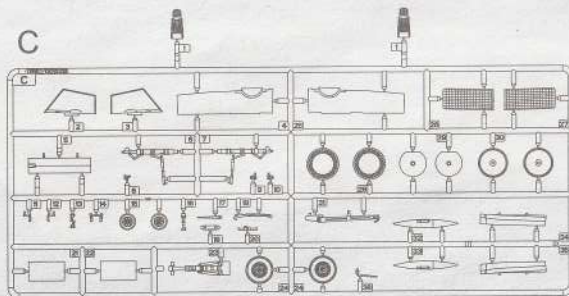
F



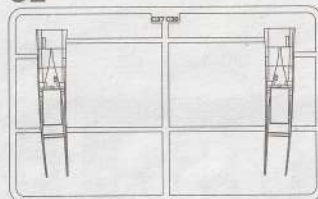
LX4



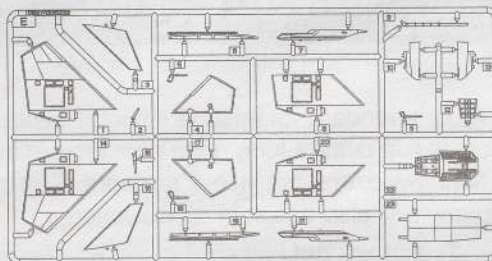
C



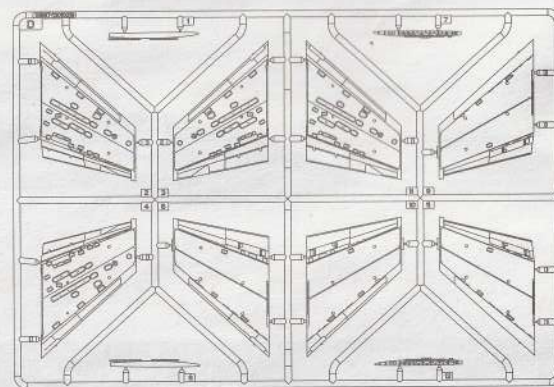
C2



E



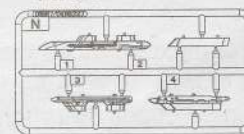
D



GP1



NX2



《水贴》  
Decal

蚀刻片(PE)



不用的部件: GP3 N1 N2 N3 PE6 PE3  
Unused parts



A



B

1

H 12 33

消光黑  
Flat black

C1

C14

H 12 33

消光黑  
Flat black

E22

①  
钻孔  
Make hole

H 57 73

灰白色  
Aircraft Gray

H 12 33

消光黑  
Flat black

贴纸  
Decal

F3  
(B6)

C16

(B8) 贴纸  
Decal

(B7) 贴纸  
Decal

2

A1

H 58 27

机体内部色  
Interior Green

H 12 33

消光黑  
Flat black

①  
钻孔  
Make hole

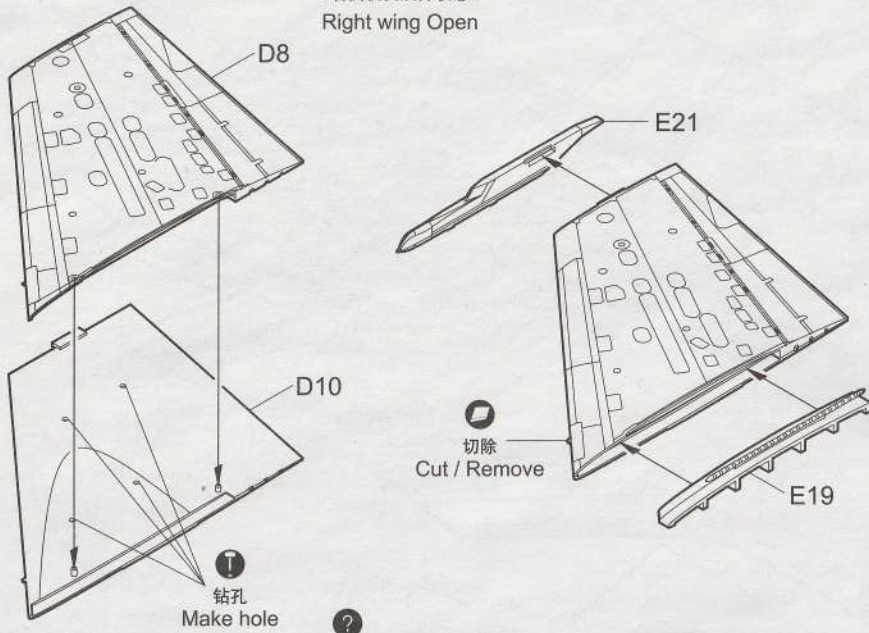
A2

①  
钻孔  
Make hole

①  
钻孔  
Make hole

3

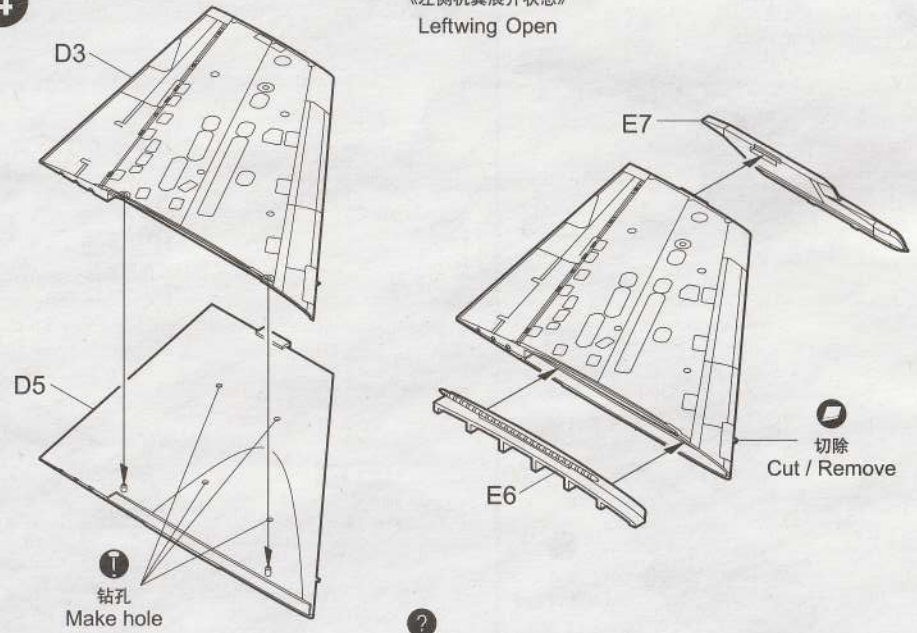
《右侧机翼展开状态》  
Right wing Open



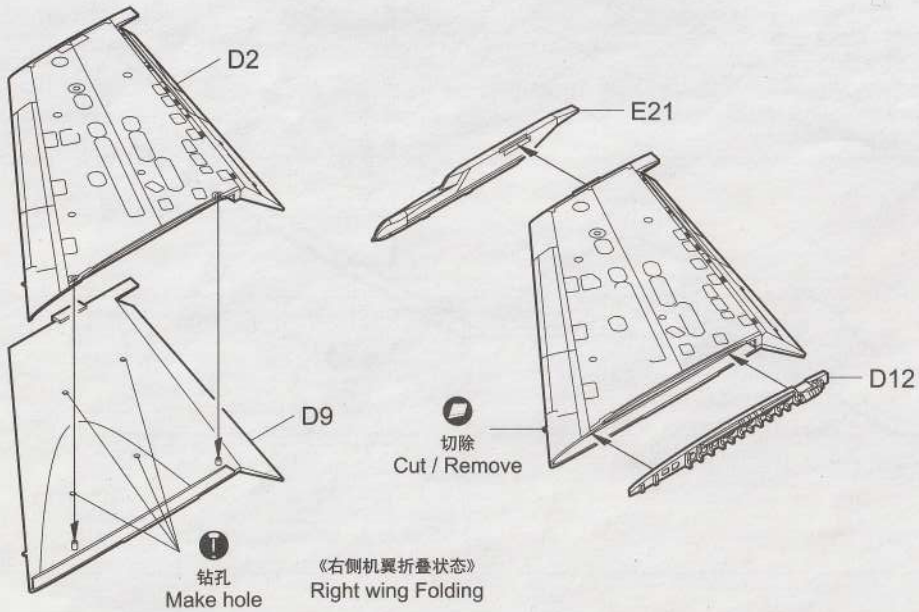
②  
选择  
Option

4

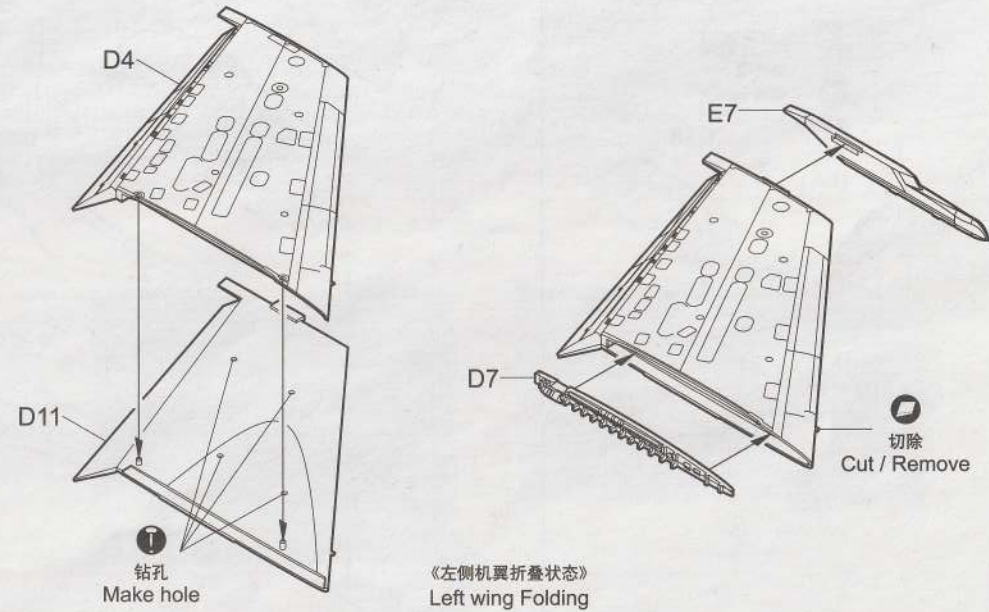
《左侧机翼展开状态》  
Leftwing Open



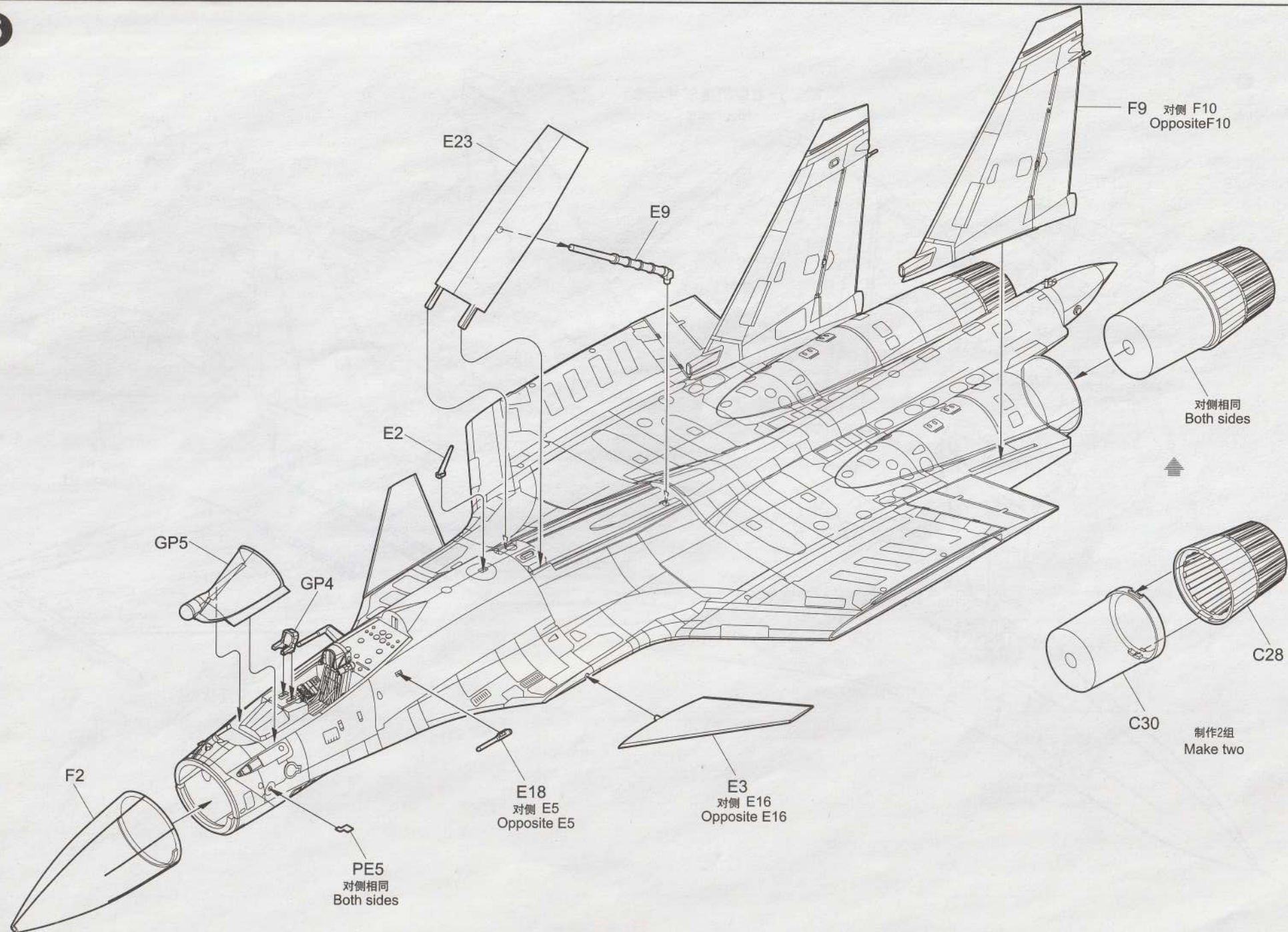
②  
选择  
Option



《右侧机翼折叠状态》  
Right wing Folding



《左侧机翼折叠状态》  
Left wing Folding



6

选择  
Option

《右侧机翼展开状态》  
Right wing Open

PE2  
PE1

GP6

切除  
Cut / Remove

E12

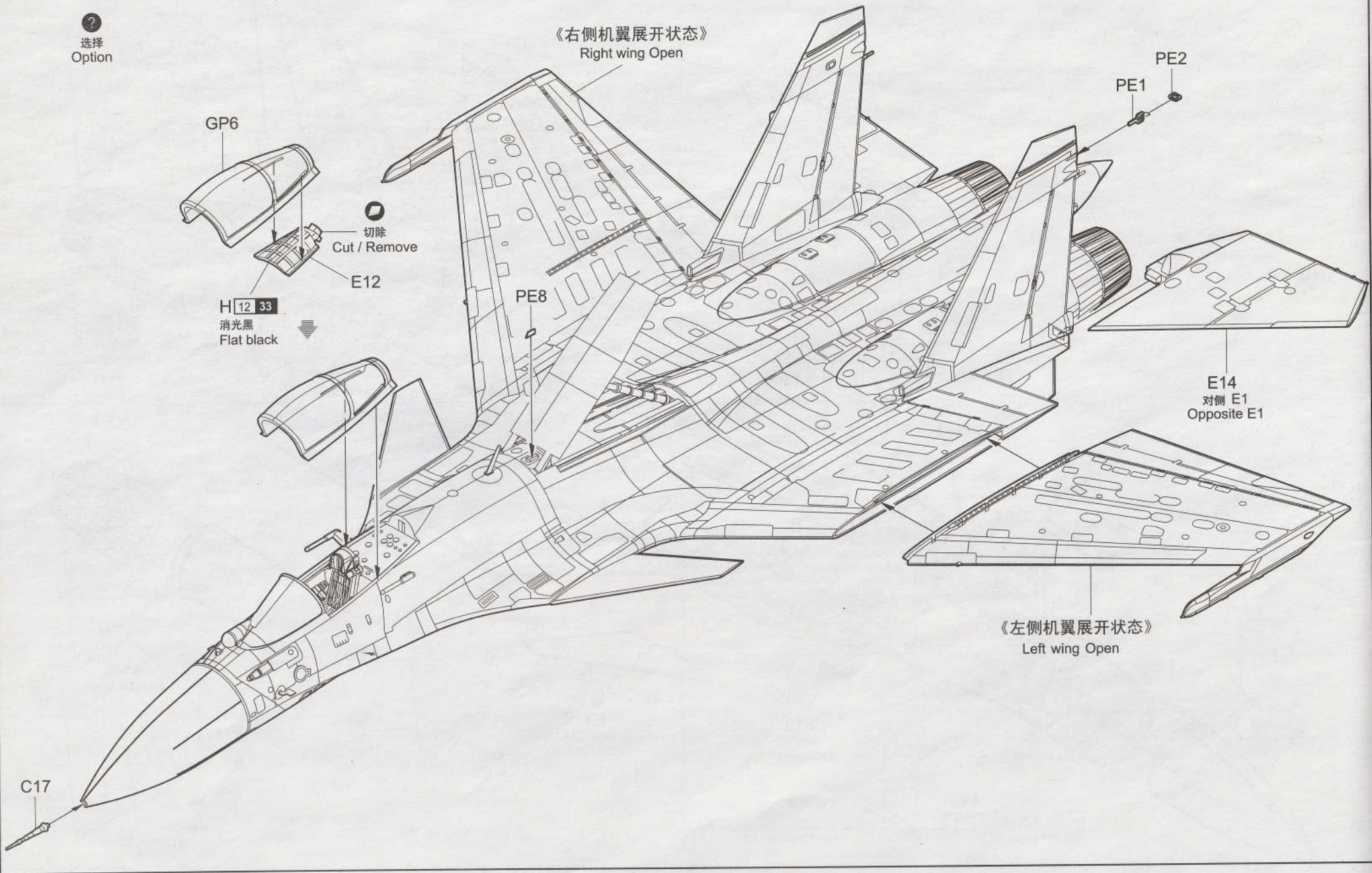
H12 33  
消光黑  
Flat black

PE8

E14  
对侧 E1  
Opposite E1

《左侧机翼展开状态》  
Left wing Open

C17



7

选择  
Option



GP6



E12

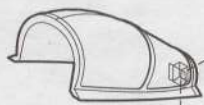
H 12 33  
消光黑  
Flat black

《右侧机翼折叠状态》  
Right wing Folding

PE8

PE1 PE2

对侧 E4+E8  
Opposite E4+E8  
E17+E20

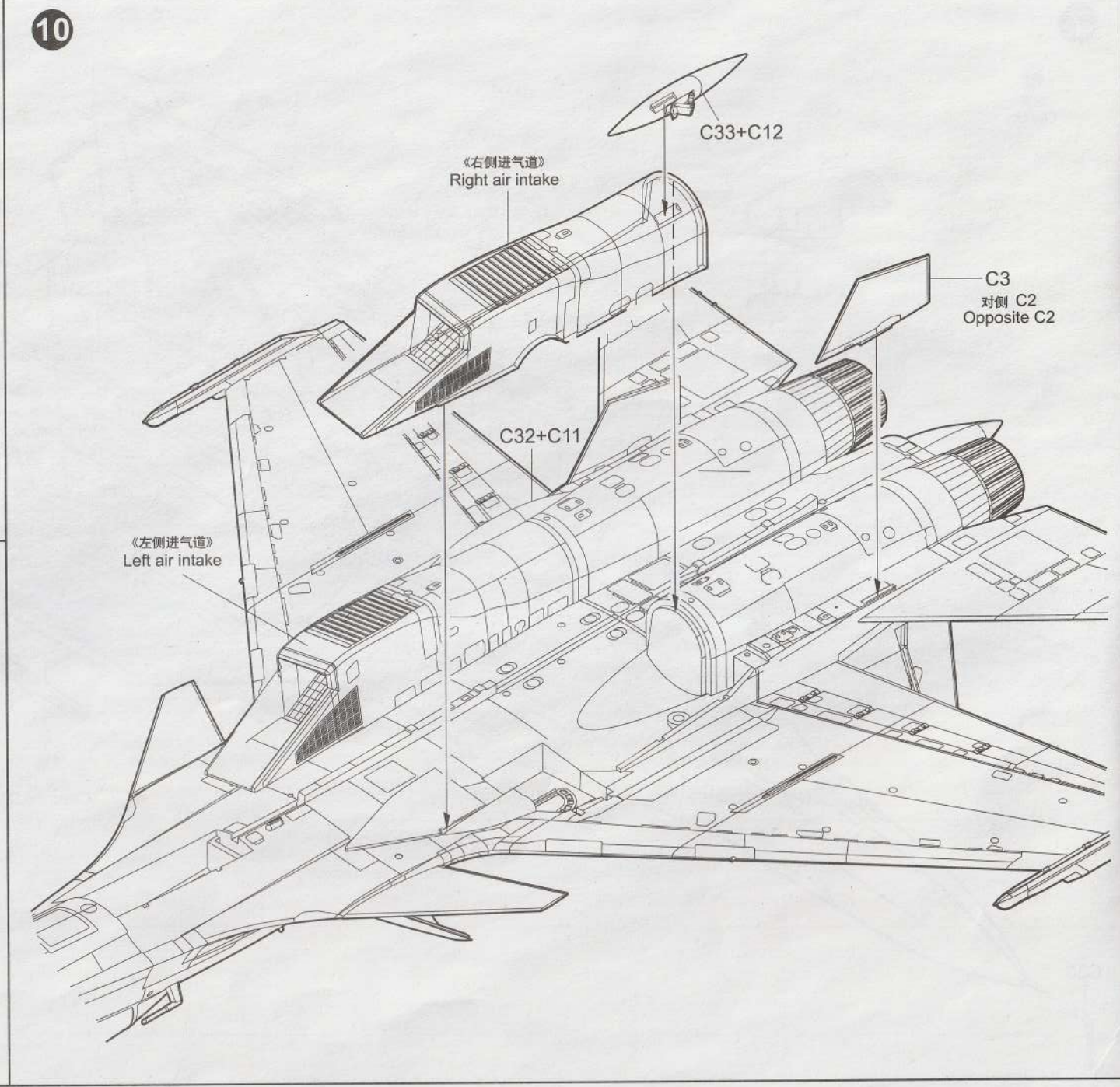
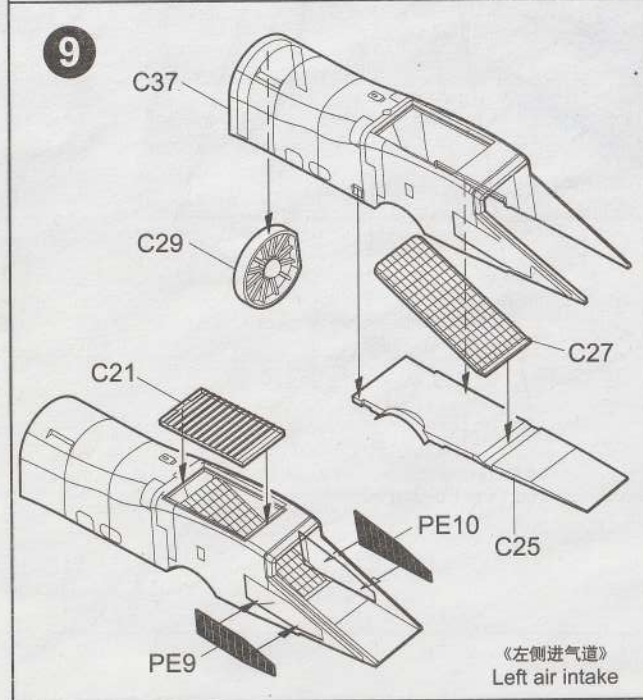
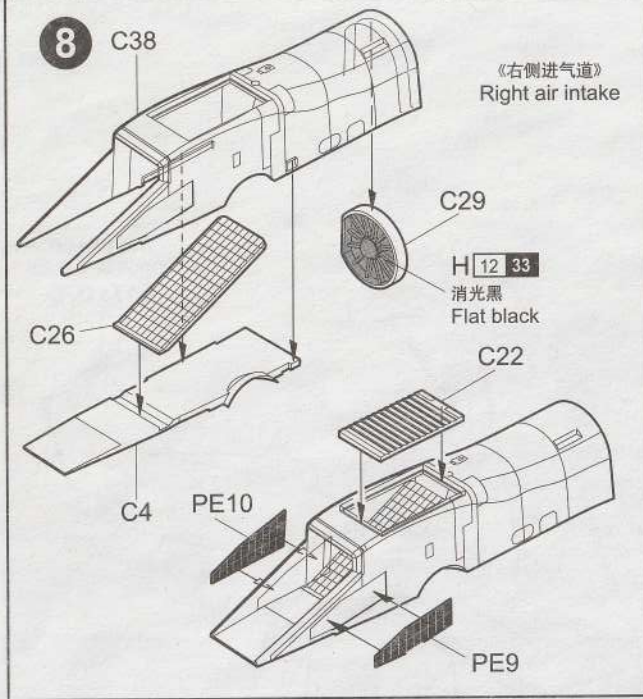


E15

D6  
对侧 D1  
Opposite D1

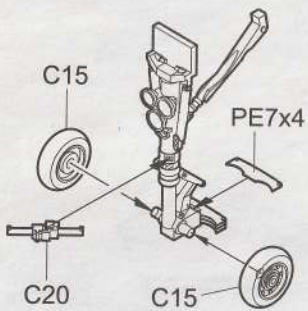
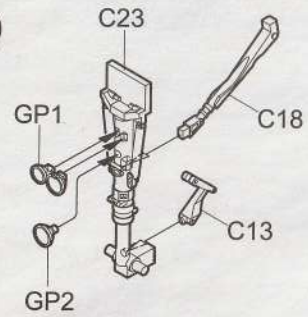
《左侧机翼折叠状态》  
Left wing Folding

C36





11

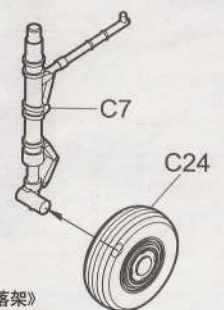


《前起落架》  
Nose undercarriage

12

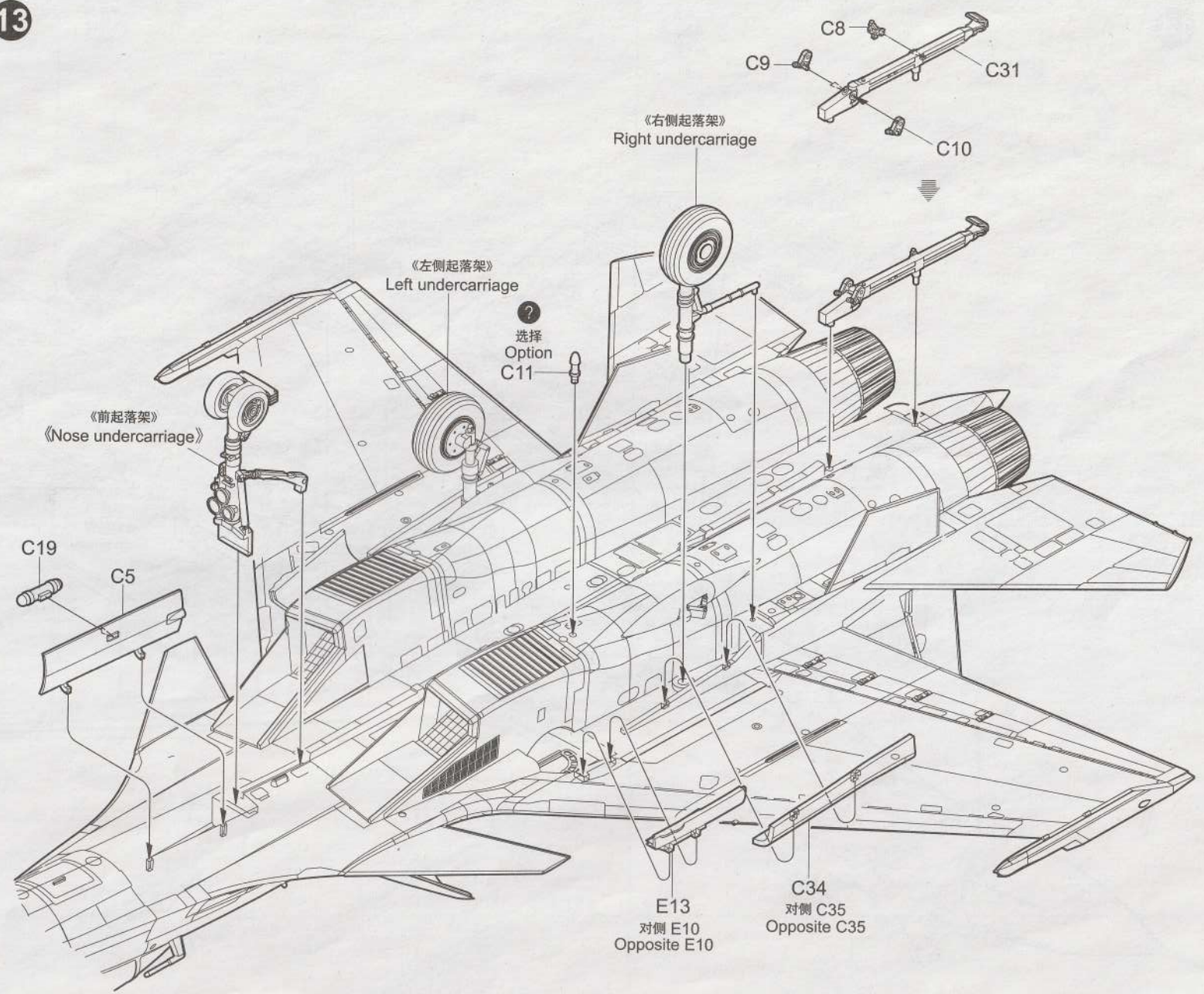


《右侧起落架》  
Right undercarriage



《左侧起落架》  
Left undercarriage

13



《前起落架》  
Nose undercarriage

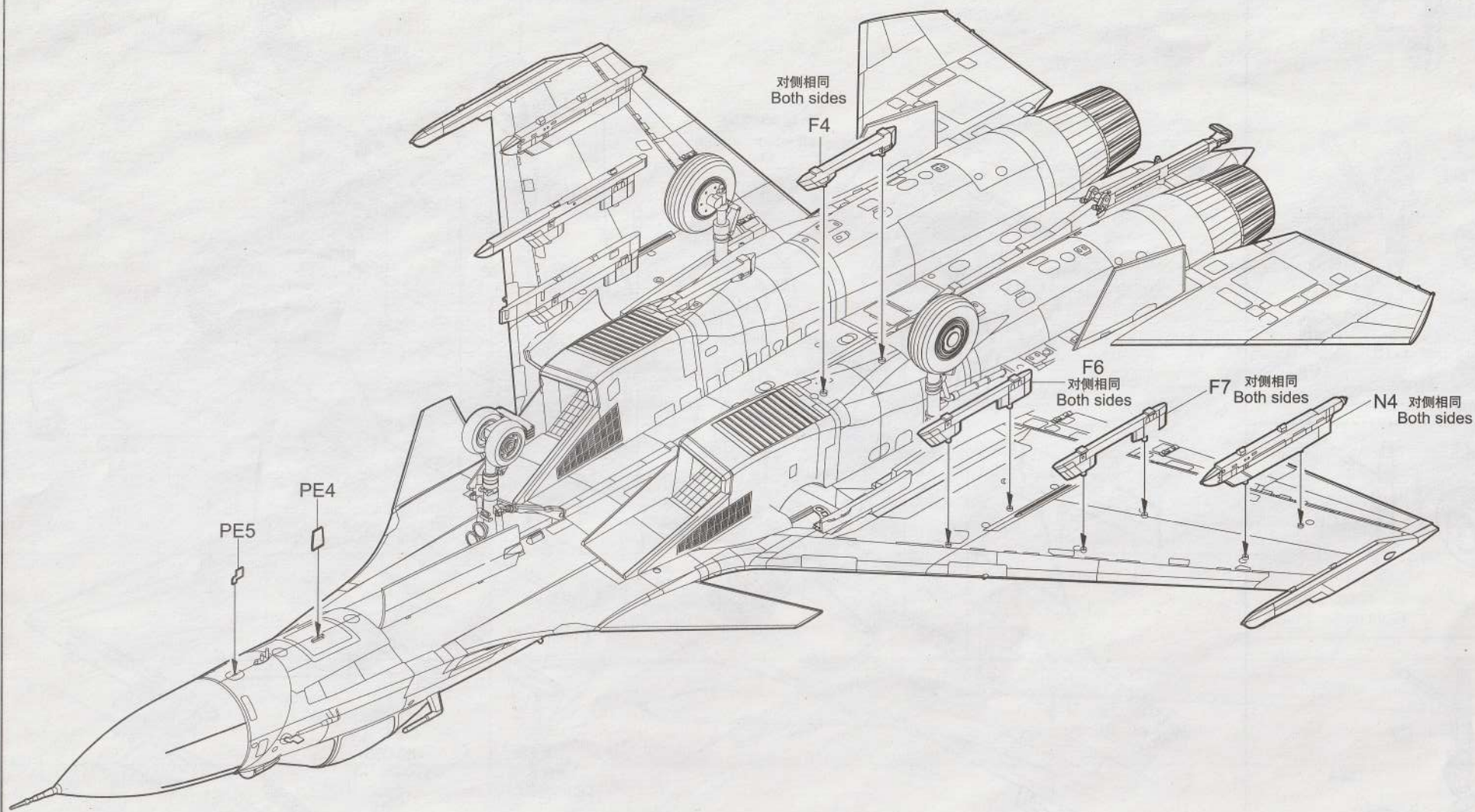
《左侧起落架》  
Left undercarriage

《右侧起落架》  
Right undercarriage

选择  
Option  
C11

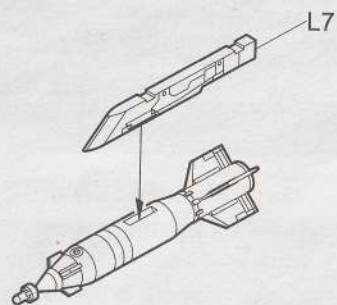
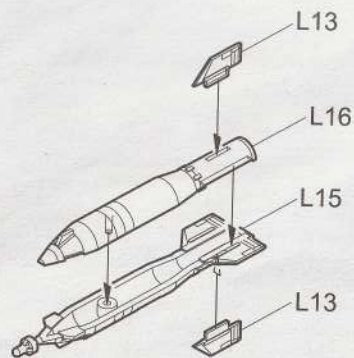
E13  
对侧 E10  
Opposite E10

C34  
对侧 C35  
Opposite C35



15

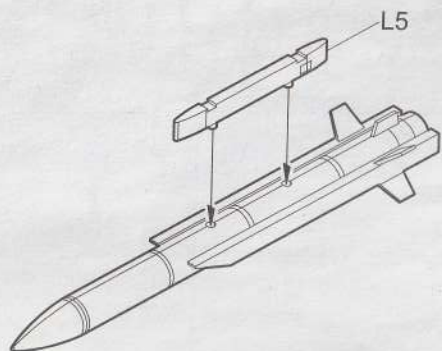
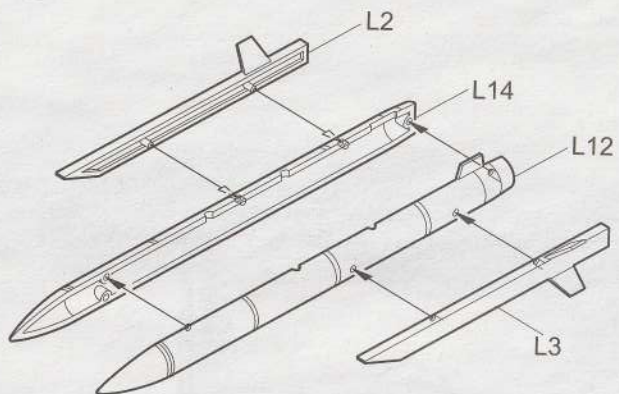
《KG LGB》



制作2组  
Make two

16

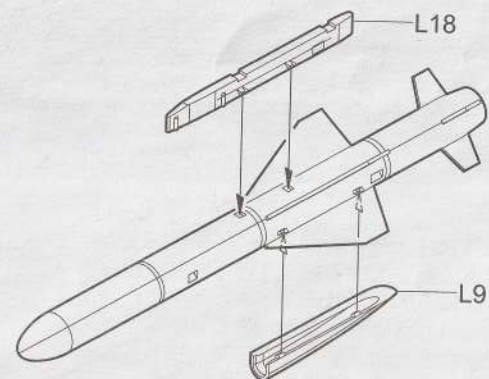
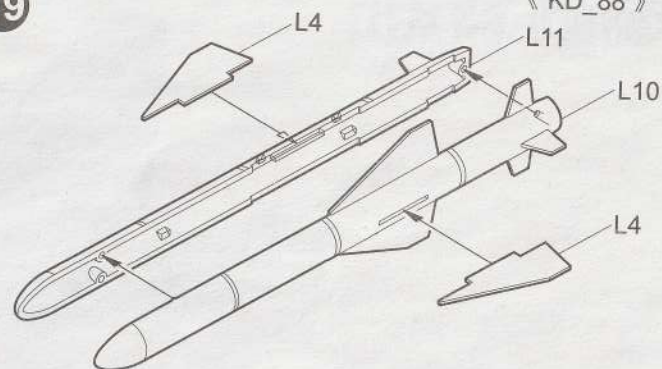
《YJ\_12》



制作2组  
Make two

19

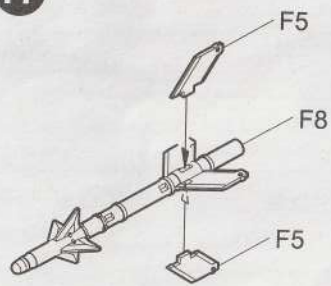
《KD\_88》



制作2组  
Make two

17

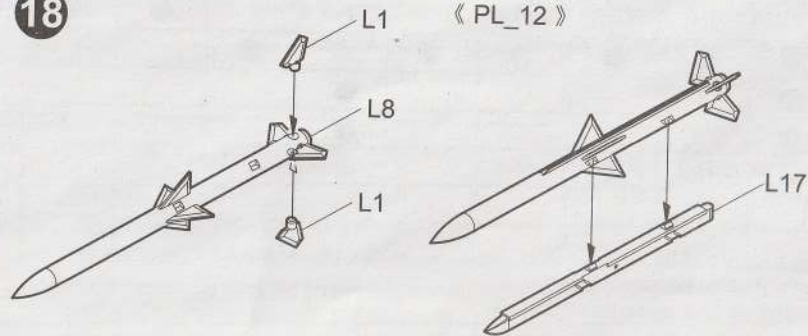
《PL\_8》



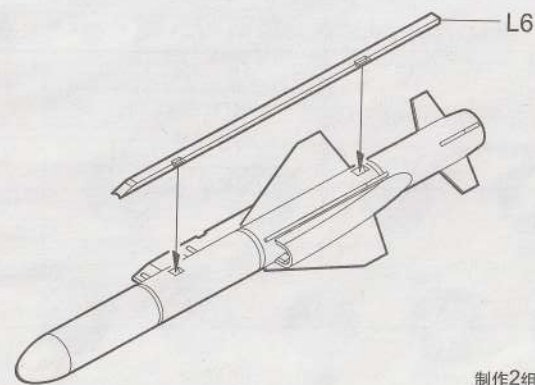
制作2组  
Make two

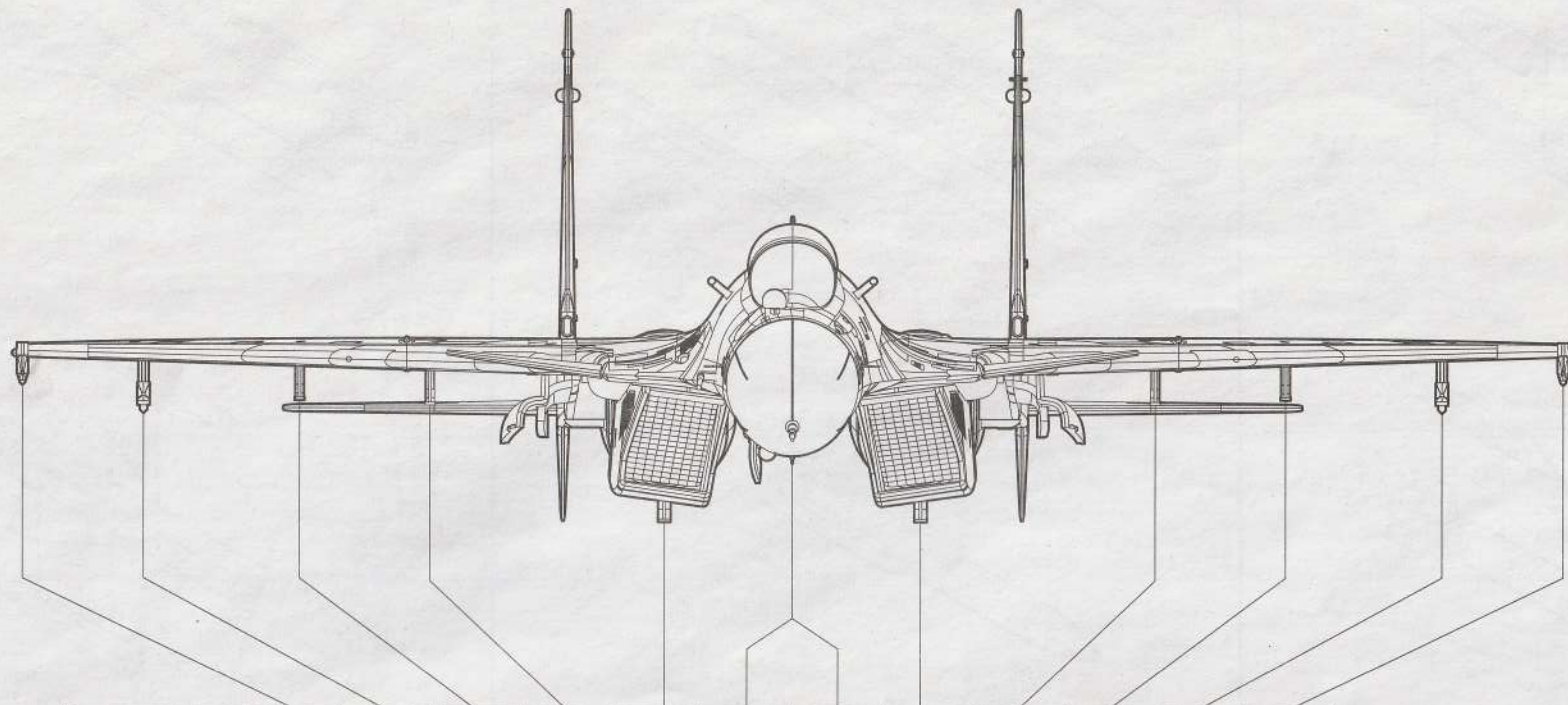
18

《PL\_12》



制作4组  
Make four





Sta.No.	1	2	3	4	5	Front 6	Back 7	8	9	10	11	12
Missile/Tank												
PL_8	●	●									●	●
PL_12			●	●	●	●	●	●	●	●		
KD_88				●					●			
YJ_12				●					●			
1500Kg_LGB				●		●			●			

# 涂装同标贴指示 Painting & Marking guide

**A**

PAINT REFERENCE COLOUR					
Color	Mr.Hobby	Vallejo	Model Master	Tamiya	Humbrol
深灰色 Burnt Iron	H 76 61	863	1795	X10	53
胎黑色 Tire black	H 77 137	-	-	-	-
灰色 Dark Compass Gray	H 307 307	-	1741	XF22	128

PAINT REFERENCE COLOUR					
Color	Mr.Hobby	Vallejo	Model Master	Tamiya	Humbrol
浅灰色 Light Aircraft Gray	H 332 332	-	-	-	166
白色 White Insignia	H 316 316	991	1745	X2	22
浅灰色 Light Gray	H 338 338	907	1732	XF14	147



H   AQUEOUS HOBBY COLOR

  Mr. COLOR

# 涂装同标贴指示 Painting & Marking guide

**B**

PAINT REFERENCE COLOUR					
Color	Mr.Hobby	Vallejo	Model Master	Tamiya	Humbrol
白色 White	H 1 1	842	1745	XF2	22
灰色 Grey	H 308 308	990	1728	XF19	127
红色 Red	H 3 3	908	1503	X7	19

PAINT REFERENCE COLOUR					
Color	Mr.Hobby	Vallejo	Model Master	Tamiya	Humbrol
军绿色 Medium Green Grey	H 305 305	868	1723	XF58	125
灰色 Engine Gray	H 301 301	866	—	XF24	—
深灰色 Dark Gray	H 334 334	—	—	XF19	—



H X AQUEOUS HOBBY COLOR    Mr. COLOR