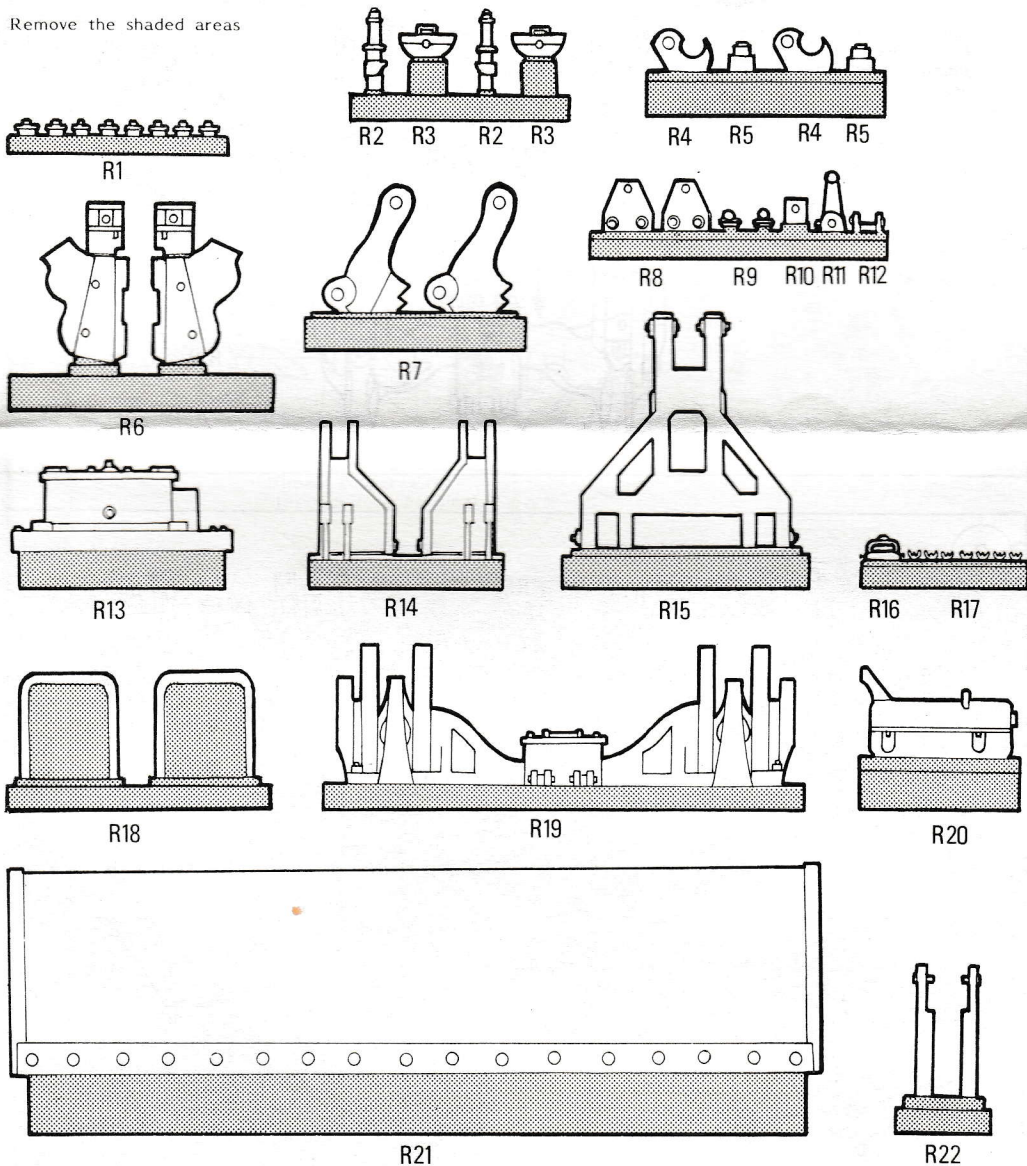
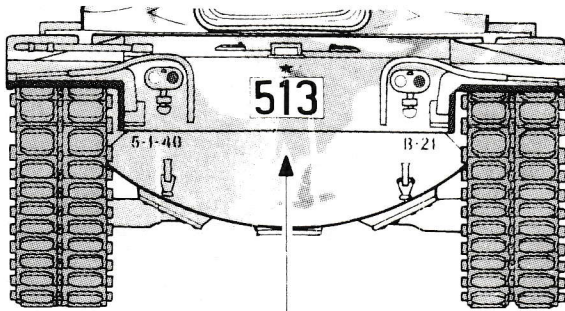


Recommended kit : TAMIYA M-60 A3 (kit n° 35140)

Remove the shaded areas



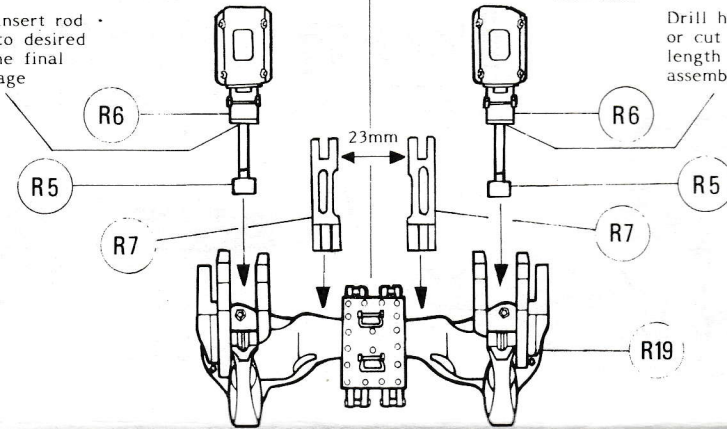
1



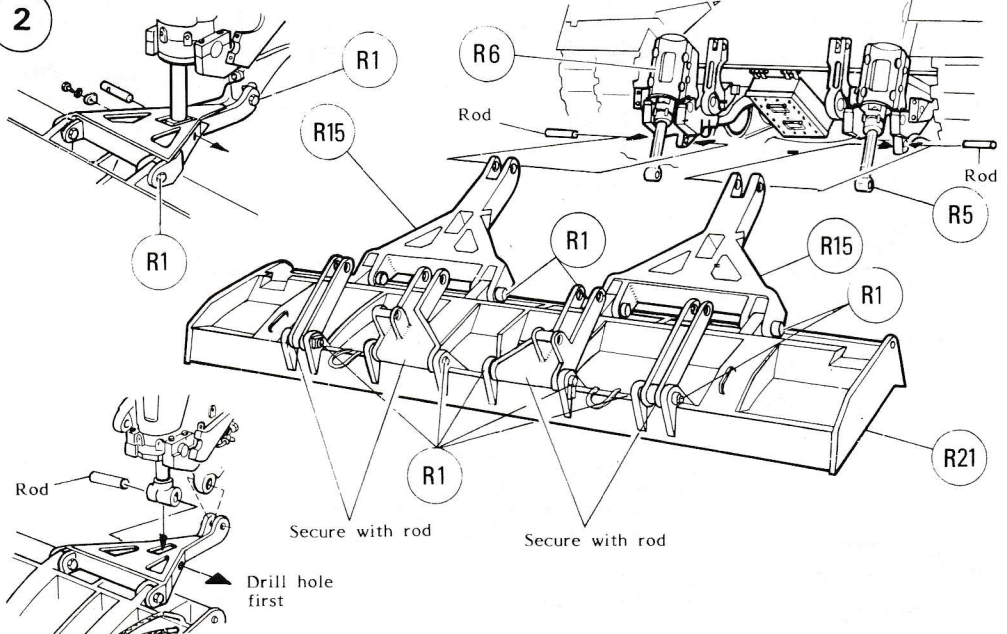
TAMIYA KIT

Drill hole, insert rod or cut rod to desired length at the final assembly stage

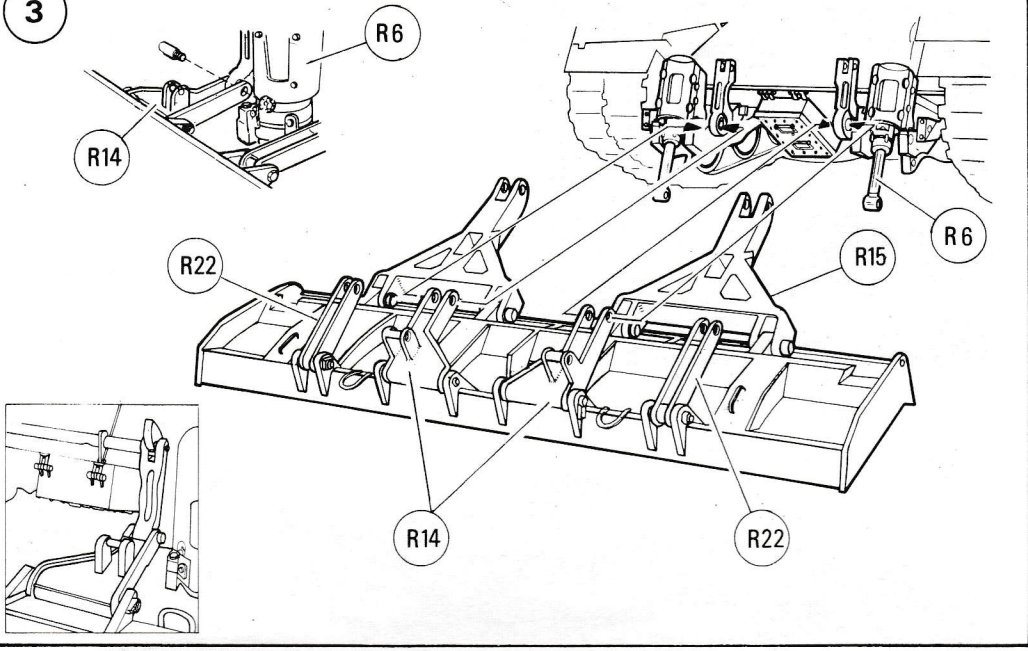
Drill hole, insert rod or cut rod to desired length at the final assembly stage



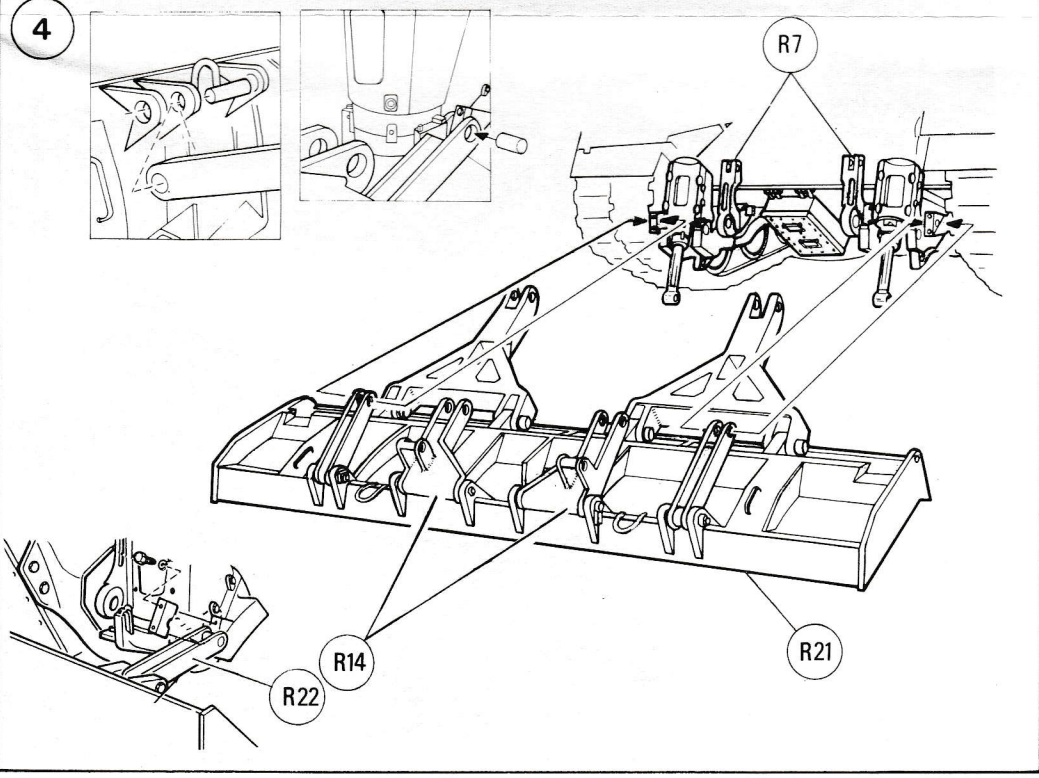
2

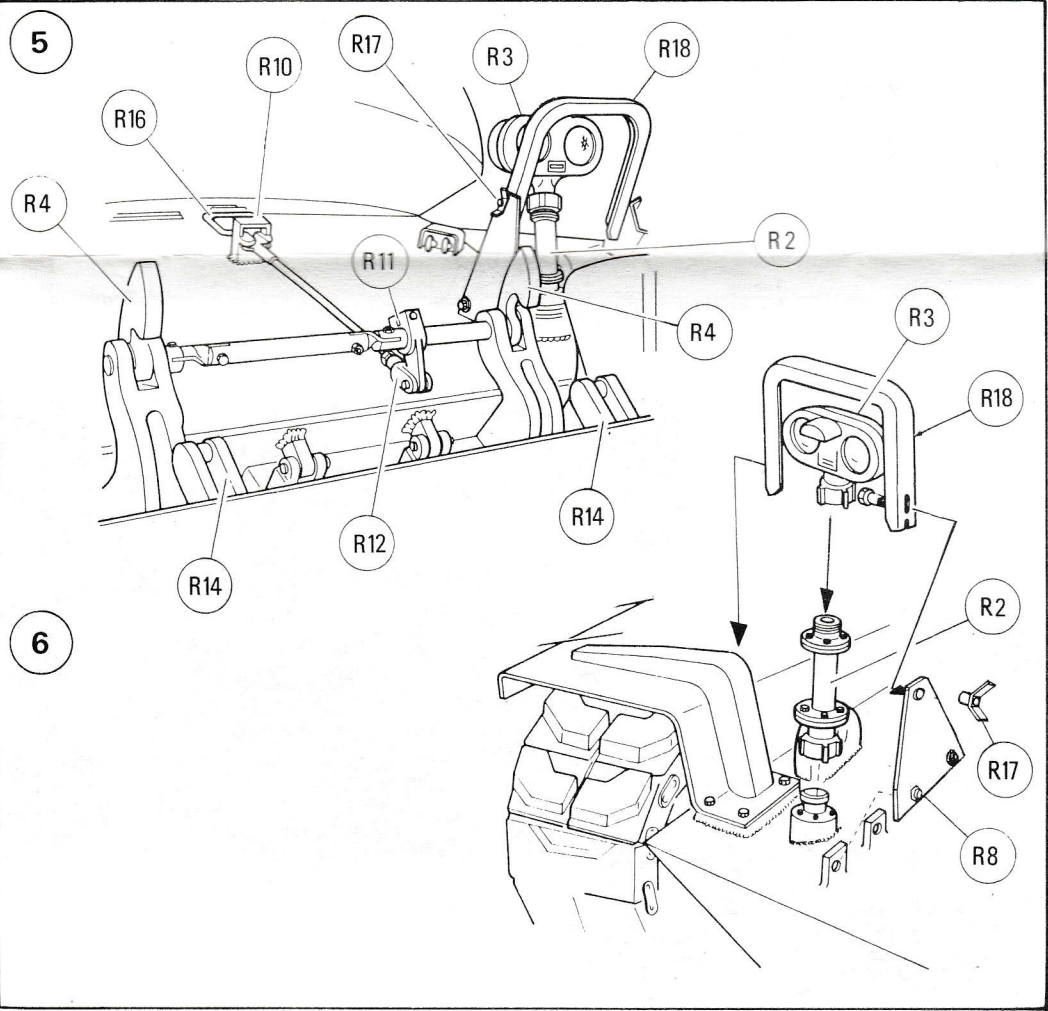
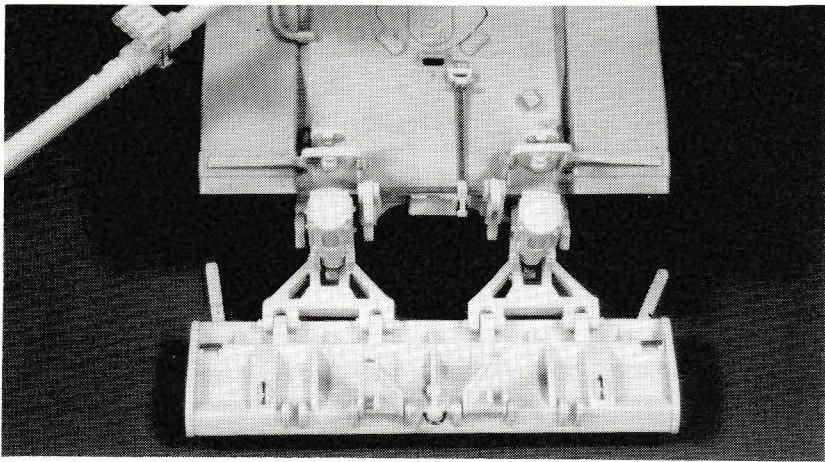


3

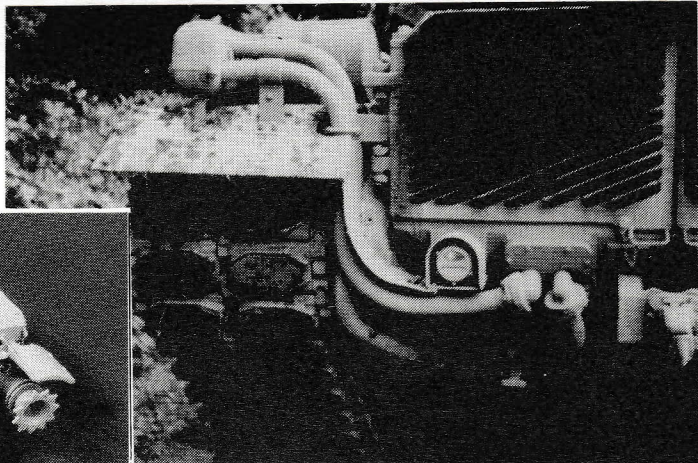
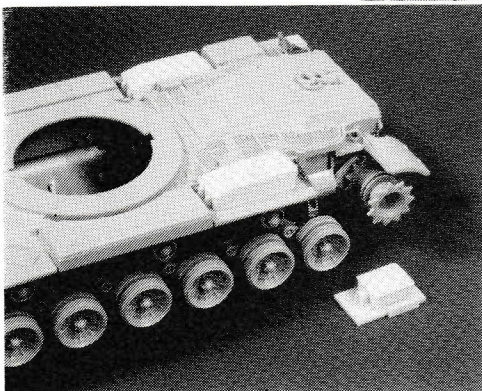
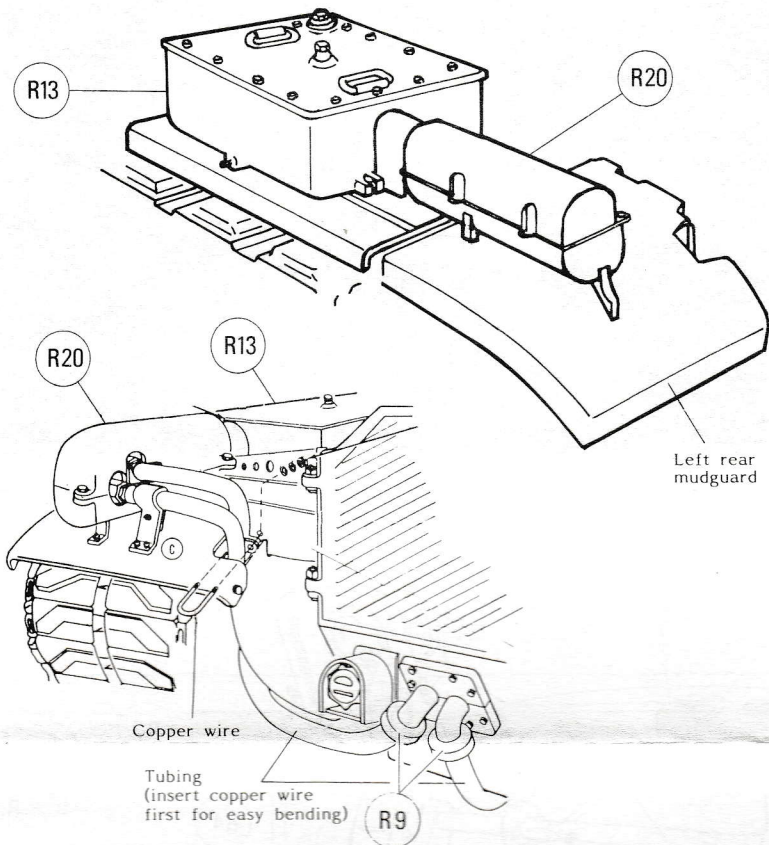


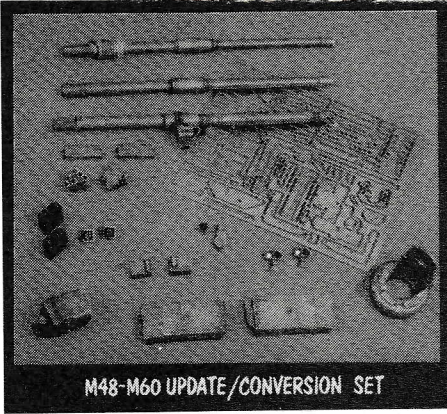
4





7





M48-M60 UPDATE/CONVERSION SET

To completely update your M60 kit, VP Set N°320 offers a variety of resin-casted parts not found in the kit, and a frame of photo-etched accessories such as a gun mount, mud guard suspensions, rear turret bustle, etc. .

Ask your local hobby dealer for a set.

