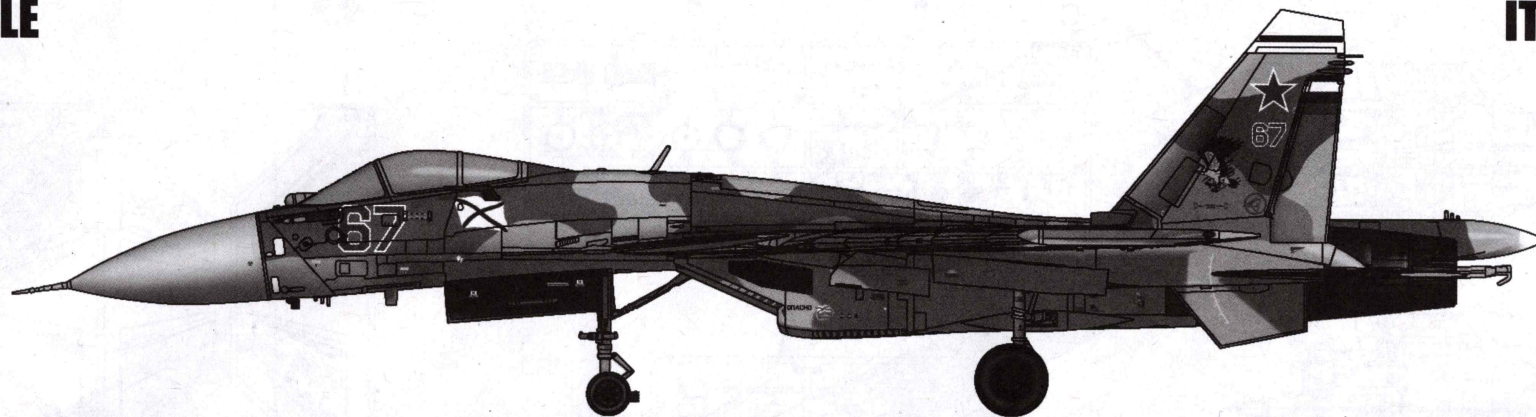


1/72 SCALE

ITEM NO.:01667



# Russian Su-33 Flanker D

## 俄罗斯苏-33“侧卫”D战斗机

### READ BEFORE ASSEMBLY:

- This kit is not recommended for inexperienced modelers or for children under 14 years of age
- Study and understand these instructions thoroughly before beginning assembly
- When needed, remove photo-etch parts carefully using a modeling knife or photo etch sprue cutter, being careful not to damage or lose small parts.
- Take extra care in handling photo etch parts in order to avoid injury
- Apply instant cement sparingly to photo etch parts where instructed

- Tools recommended(not included in kit):Plastic and instant cements,sprue cutters,long nose pliers,modeling knife, small files, tweezers, pin vise & scissors. Soft cloth and sandpaper will also assist in construction
- Glue and paint are not included in the kit. Use plastic cement and hobby paints only. Color guide for purchasing paint is included in the kit.
- Keep out of reach of children. They must not be allowed to ingest small parts or handle plastic bags in any way.

### 装配之前仔细阅读

- 小心用模型锉刀锉平所有零件表面的注射浇口。
- 小心用刀片切下蚀刻片零件，不要遗失小零件。
- 用强力快干胶水粘合蚀刻片零件和金属轴。过量的快干胶水使用可能导致可动零件会粘住，小心涂胶。
- 取蚀刻片时应特别注意安全，防止利边划伤手指。
- 某些零件表面需贴上水贴纸，请选择在装配的同时进行。
- 推荐模型工具(自备)：胶水，水口剪刀，长咀钳，刀片，锉刀，镊子钳，钻，剪刀，瞬间快干胶。
- 软布同砂纸同时也应该是必备工具。
- 请使用塑料胶水和油漆，模型内不含。
- 谨防小孩吸吮塑料零件，或者将塑料袋套在头上，制作时应将套材远离小孩接触。
- 本产品不适合14岁以下没有经验的模型爱好者。

### 水贴纸的使用:

1. 从水贴上剪下印花;
2. 将印花放入温水中浸10秒，然后放在干净布上。
3. 拿着印花纸板将印花移到模型上;
4. 手指蘸水将印花移到适当的位置;
5. 用软布轻压印花直至水干，气泡消失。

### DECAL APPLICATION:

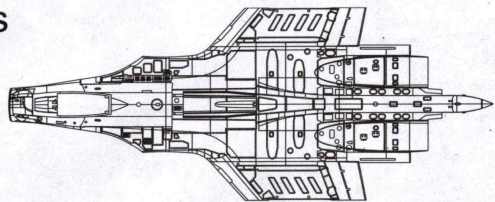
1. Cut decals from sheet as needed
2. Dip the decal in warm water for about 10 seconds and then place on soft clean cloth.
3. Hold the decal backing sheet edge and gently slide the decal onto the model in its proper position.

4. While still wet, decal can be adjusted for better fit on model by dampening it gently with your finger.
5. When placed in the proper position, gently press decal down with a soft cloth until excess water and air bubbles are gone.
6. Allow decal to dry completely before handling model

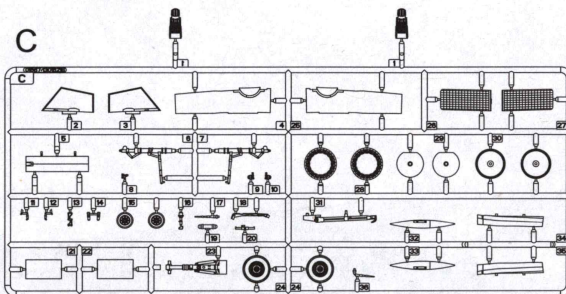
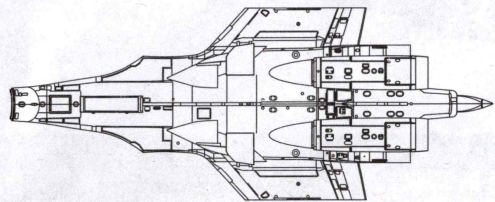


部品图  
Parts

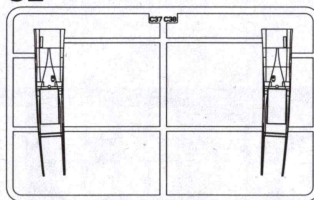
A1



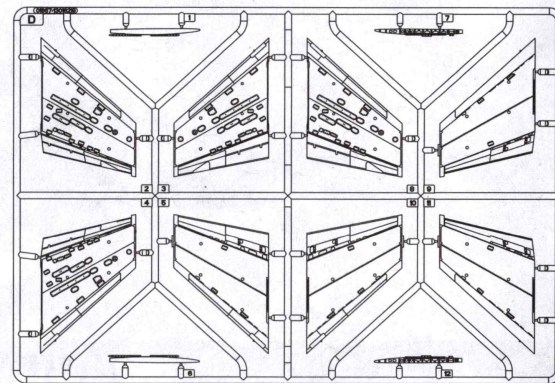
A2



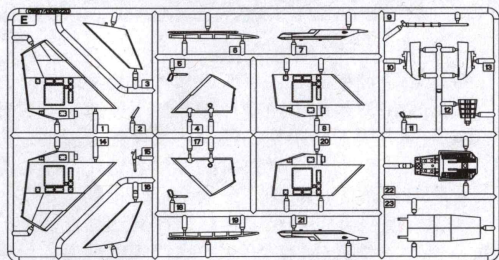
C2



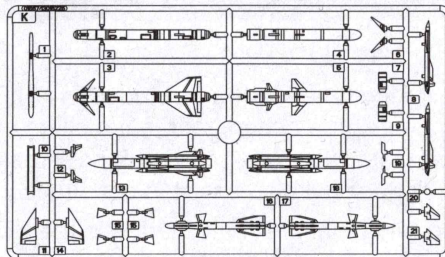
D



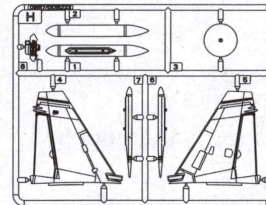
E



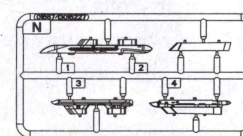
KX4



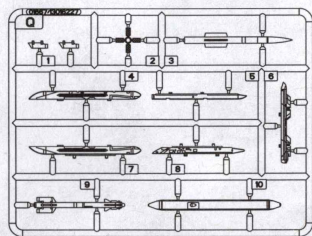
H



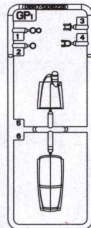
NX2



QX2



GP1

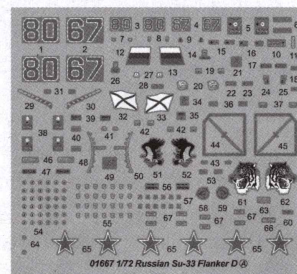


《蚀刻片》  
Photo etched part(PE)

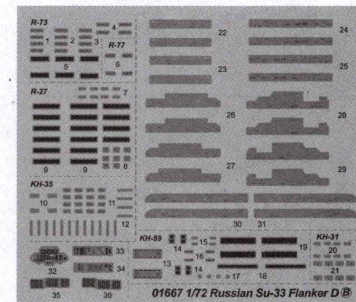


不用的部件: GP4 E7 E21 N3 Q4 Q7  
Unused parts PE1 PE2 PE8 C11

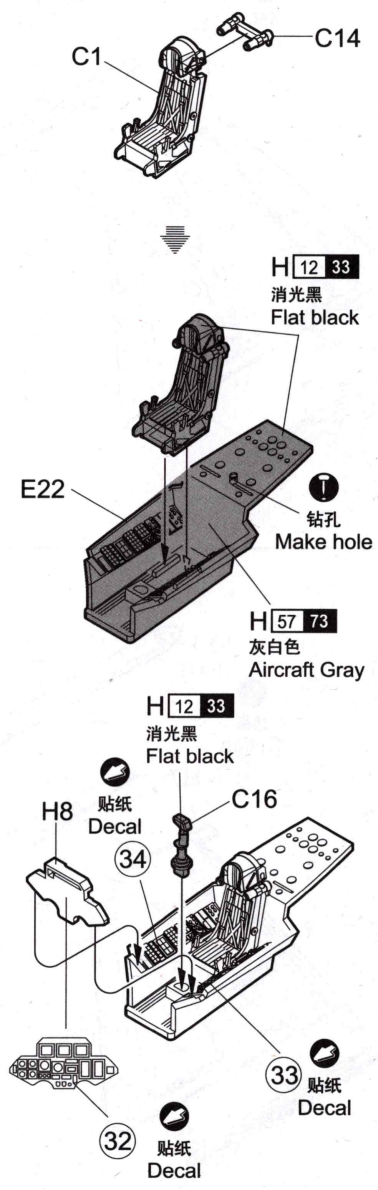
《水贴》A  
Decal



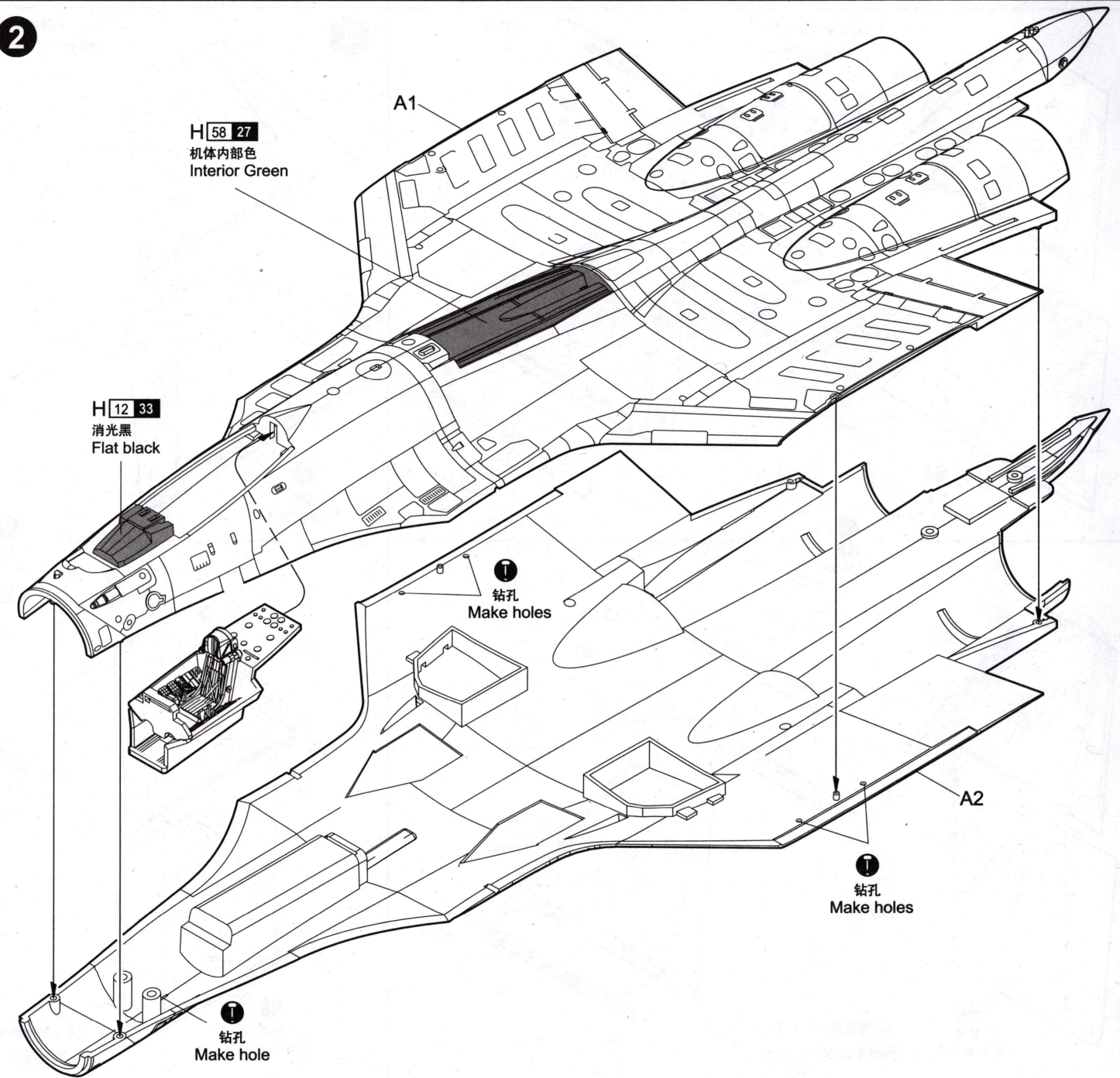
《水贴》B  
Decal



1

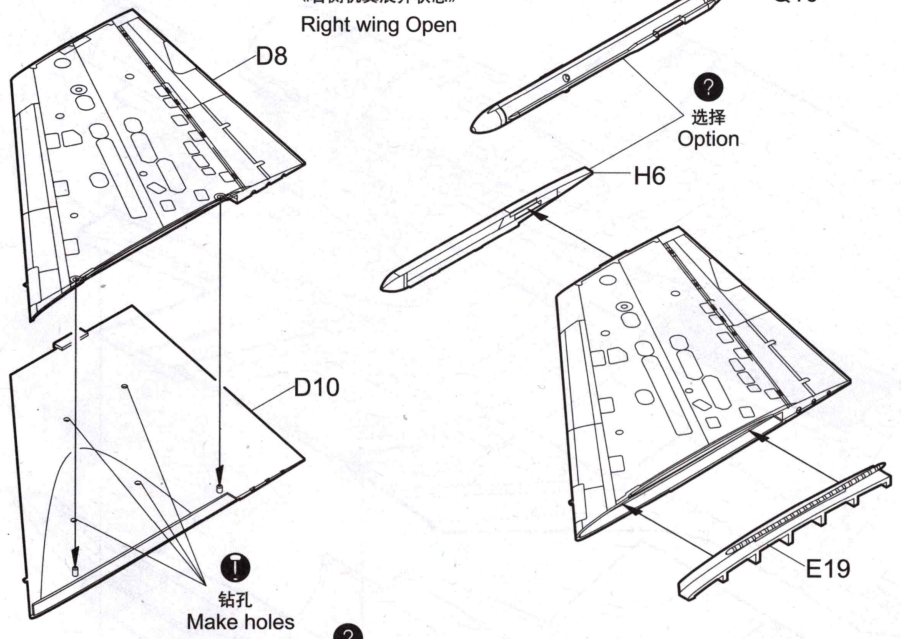


2



3

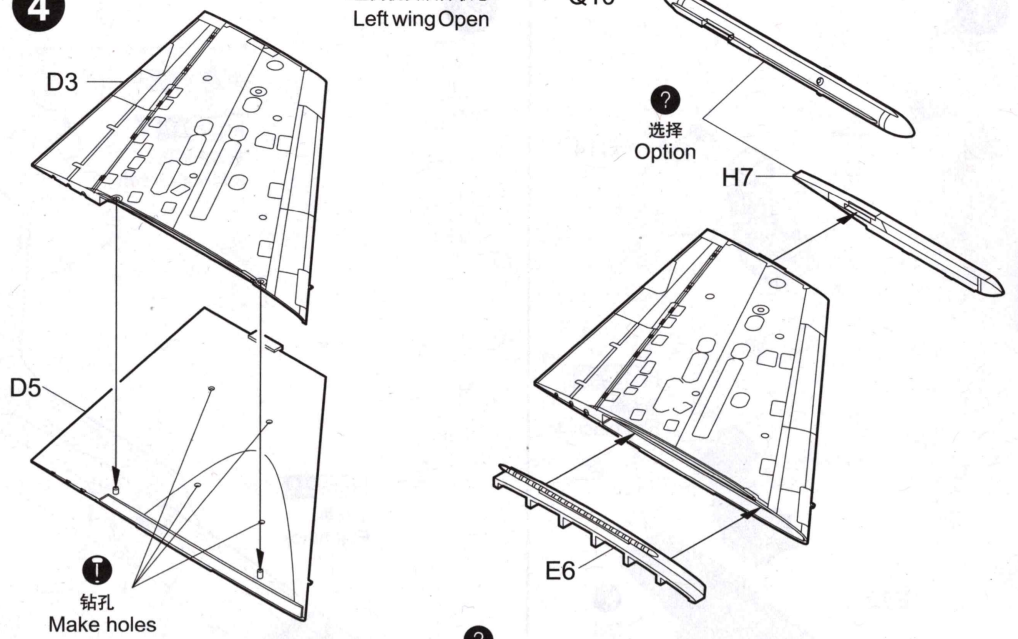
《右侧机翼展开状态》  
Right wing Open



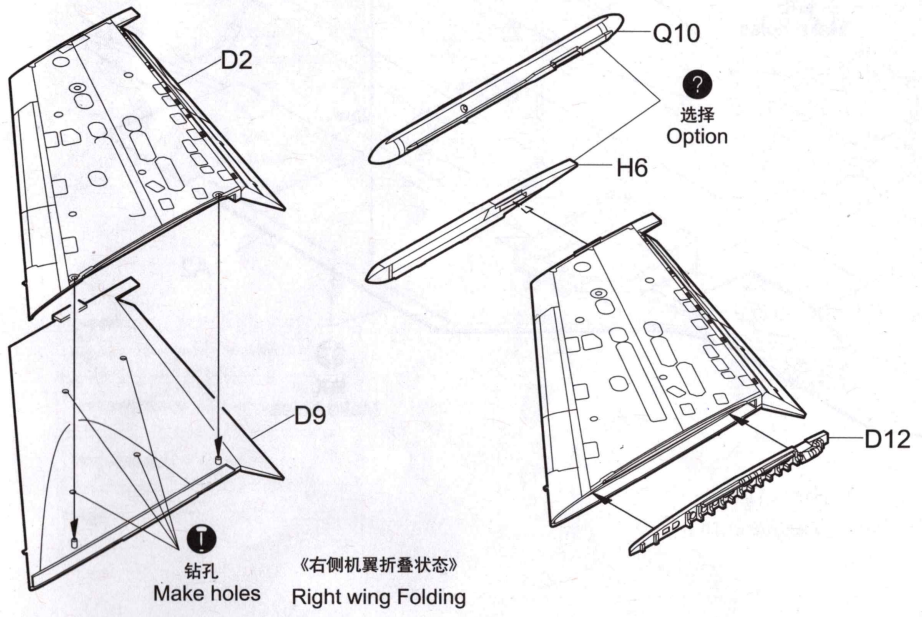
选择 Option

4

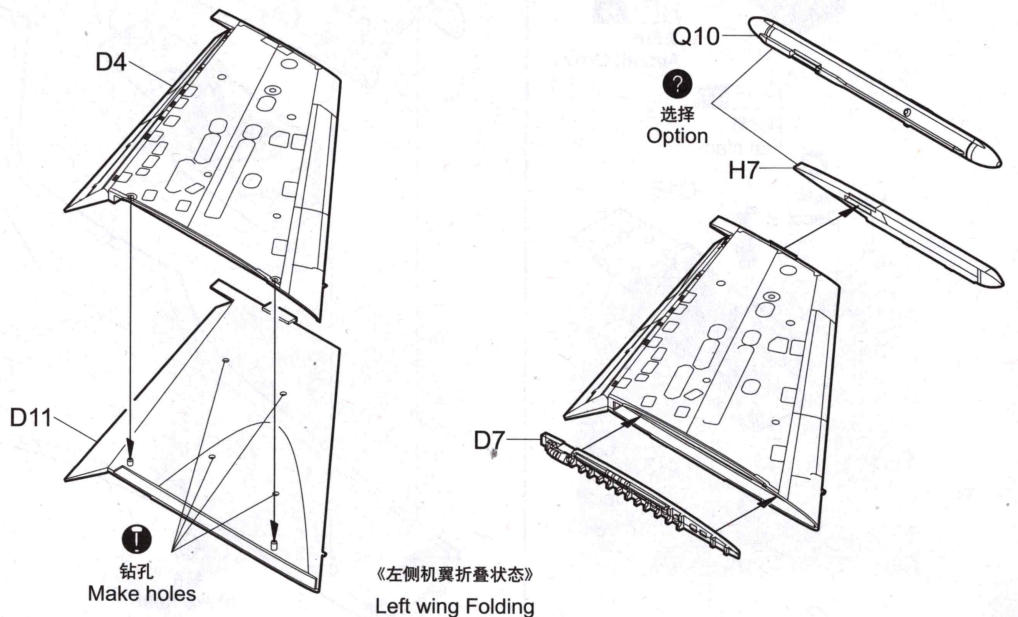
《左侧机翼展开状态》  
Left wing Open



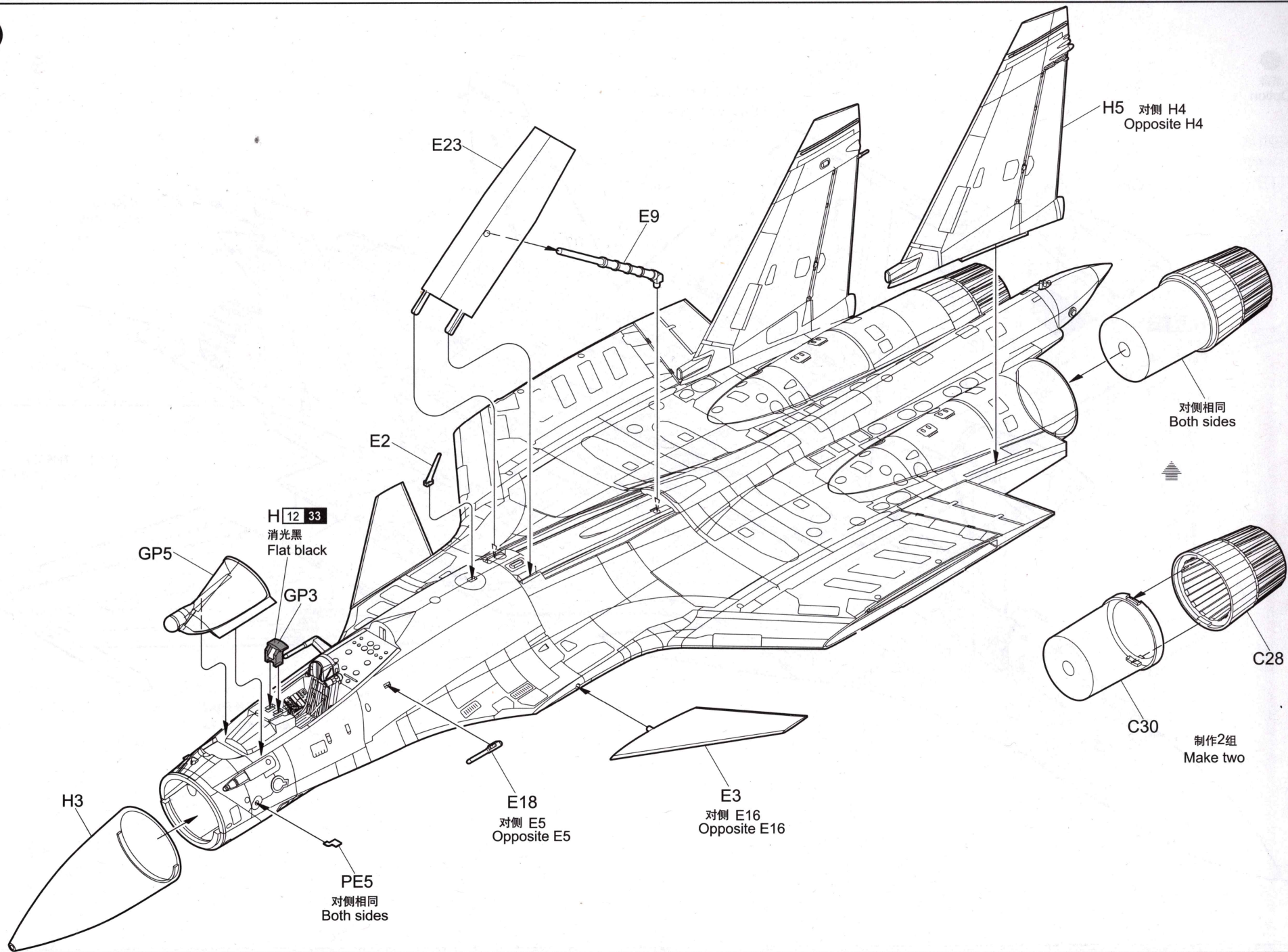
选择 Option



《右侧机翼折叠状态》  
Right wing Folding

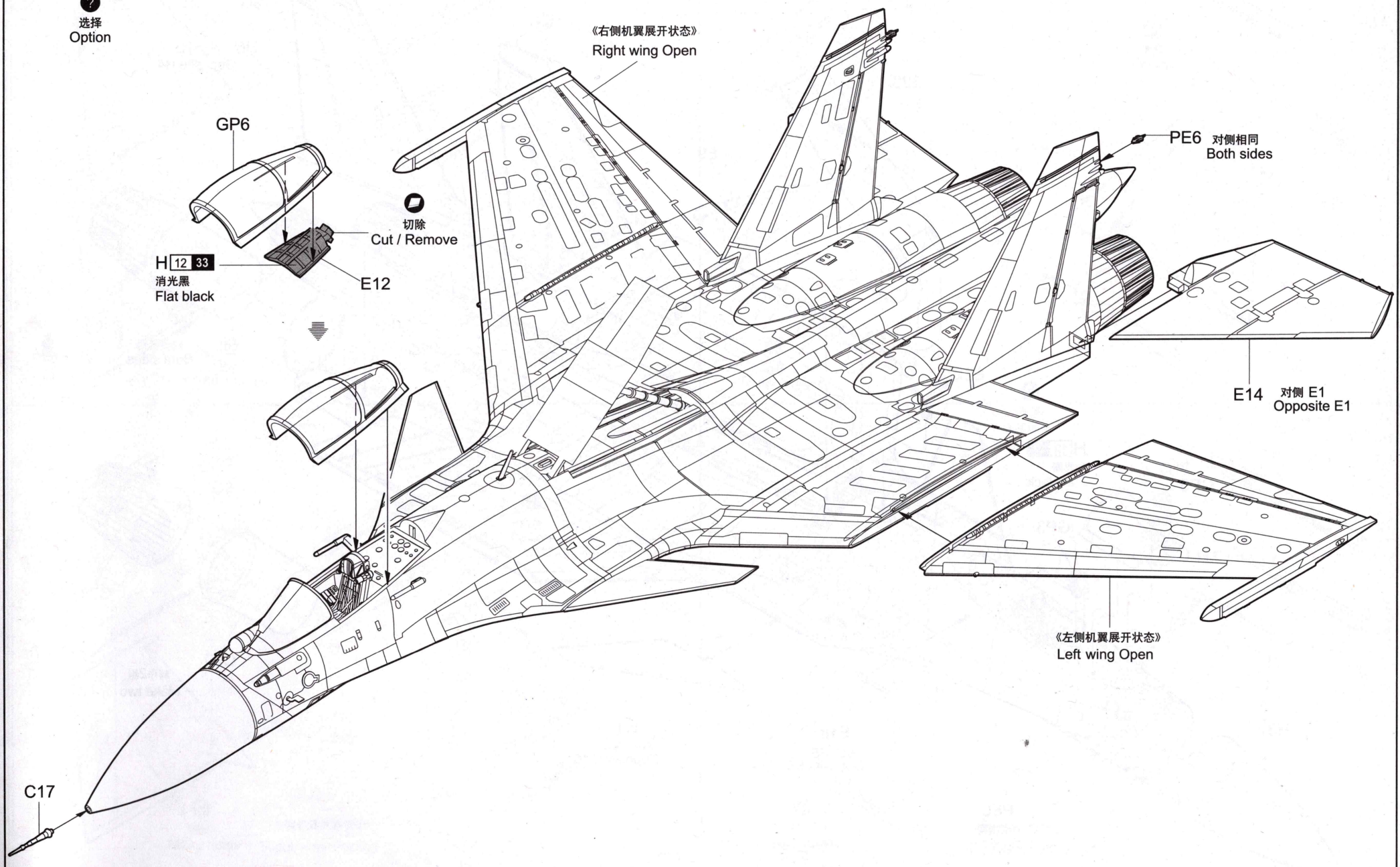


《左侧机翼折叠状态》  
Left wing Folding



6

选择  
Option



《右侧机翼展开状态》  
Right wing Open

GP6

H 12 33  
消光黑  
Flat black

切除  
Cut / Remove

E12

PE6 对侧相同  
Both sides

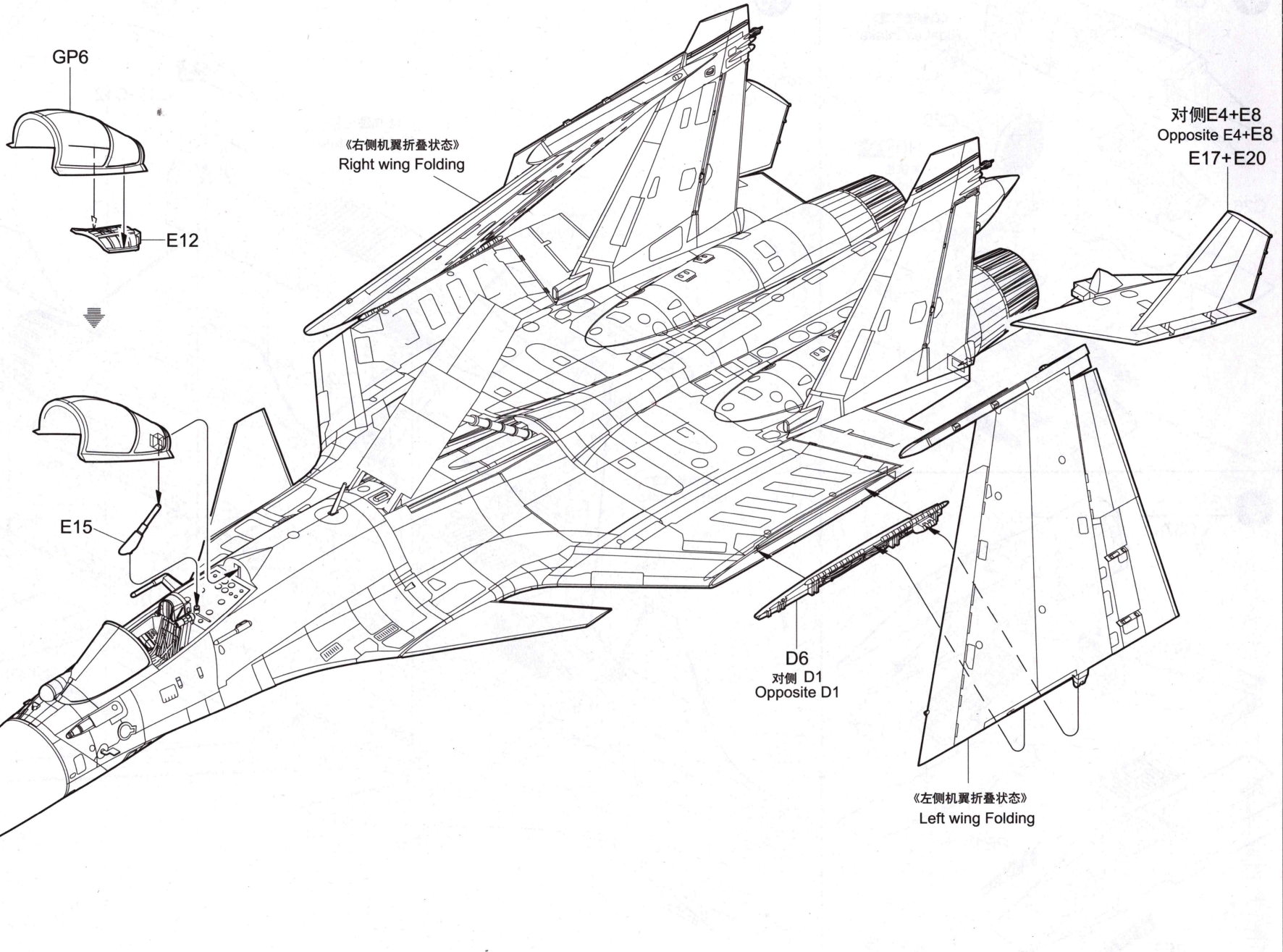
E14 对侧 E1  
Opposite E1

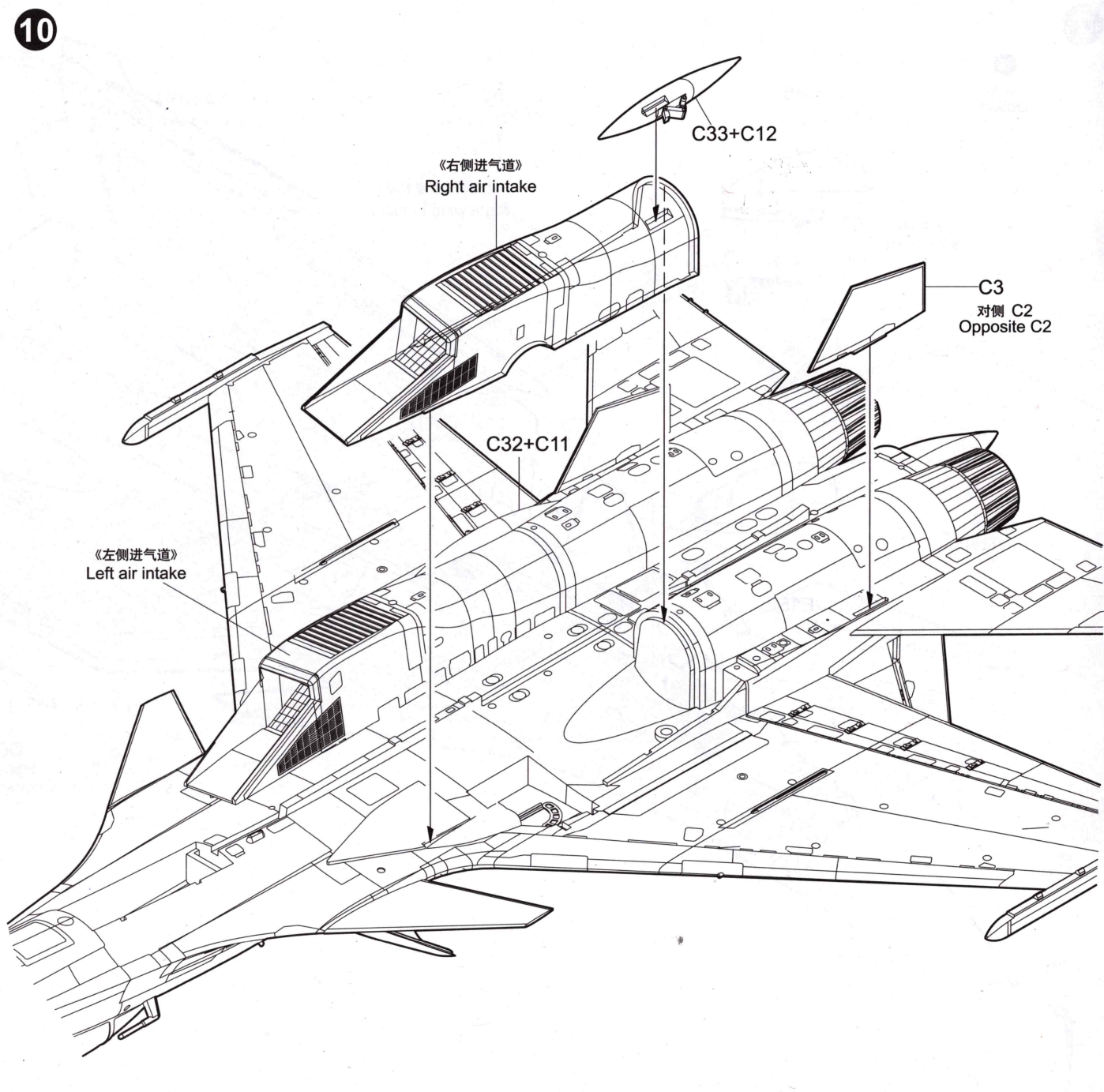
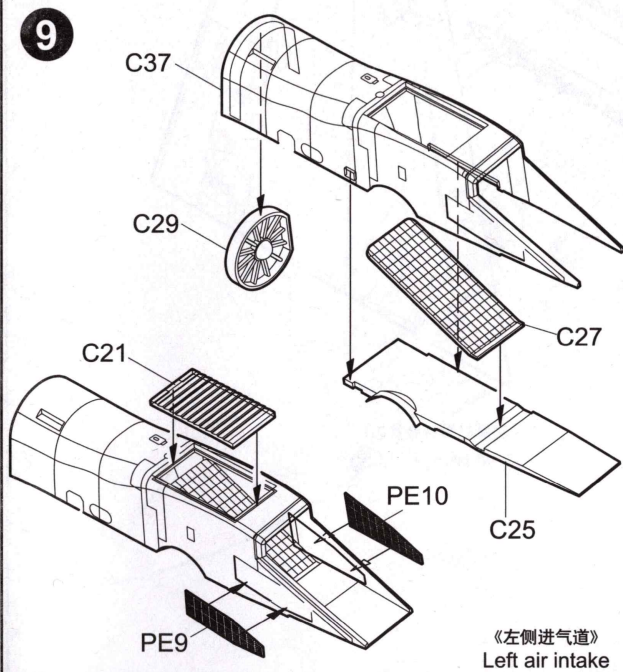
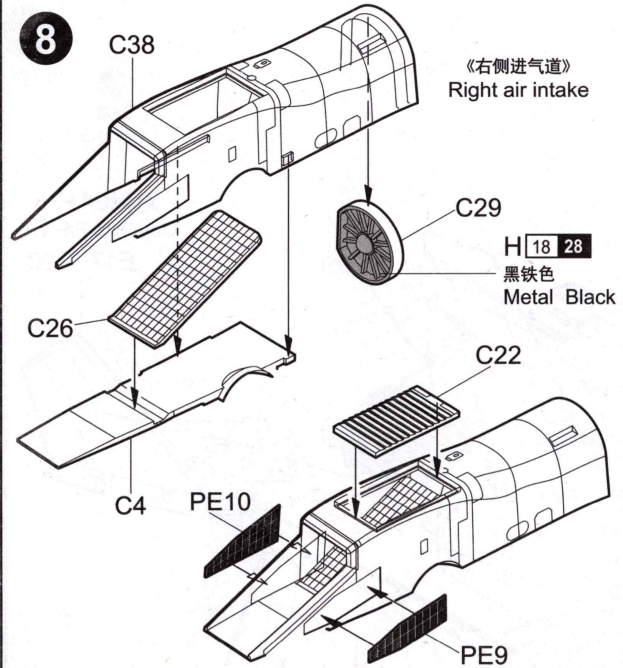
《左侧机翼展开状态》  
Left wing Open

C17

7

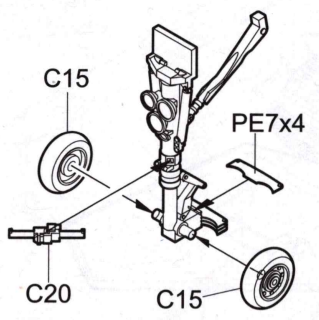
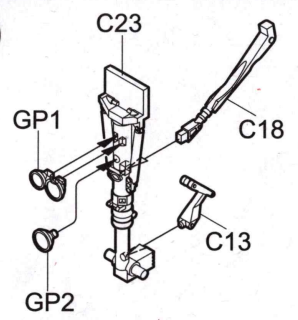
选择  
Option





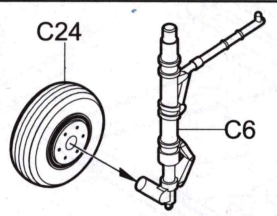


11

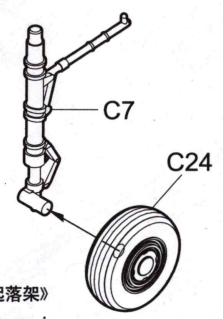


《前起落架》  
Nose undercarriage

12

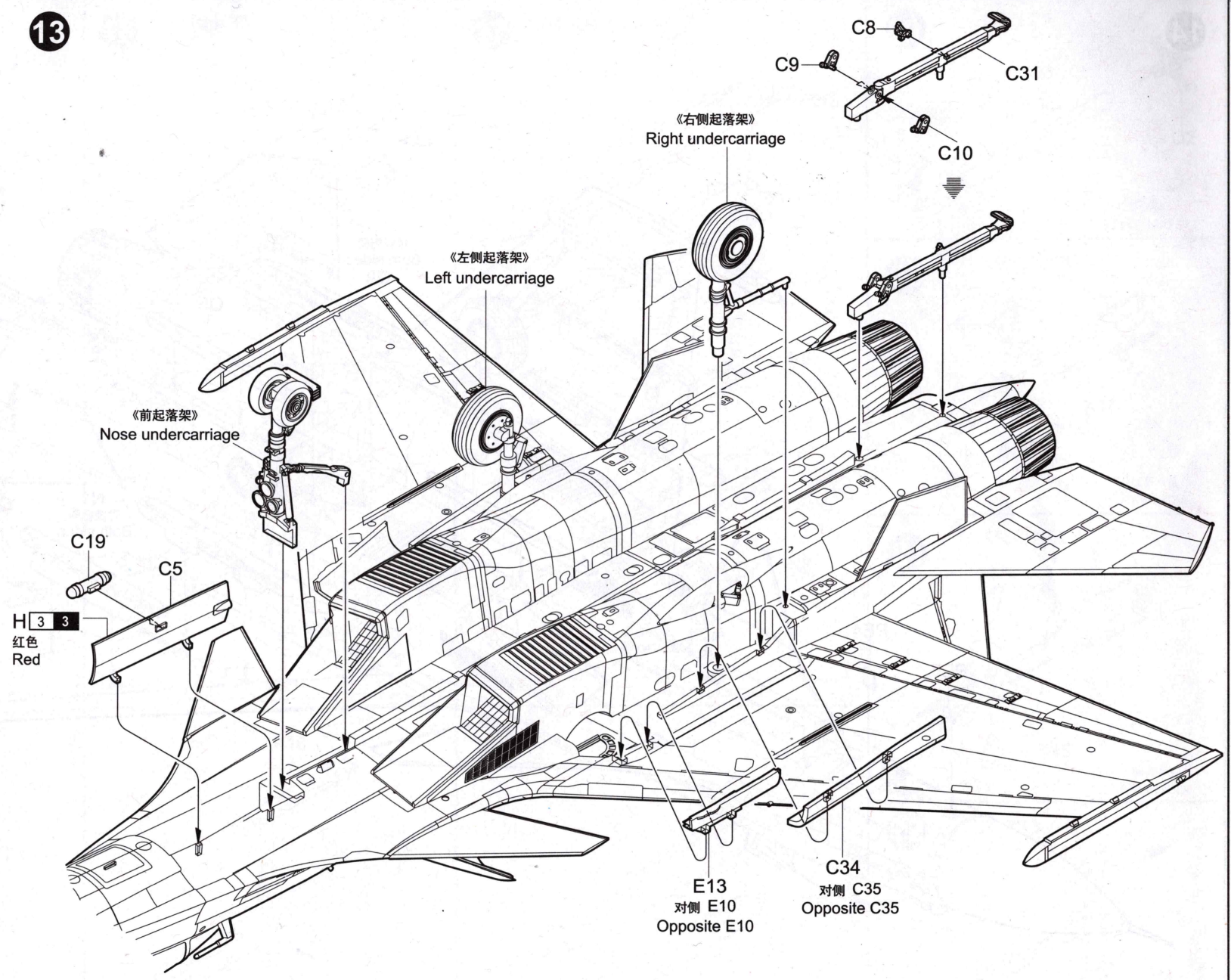


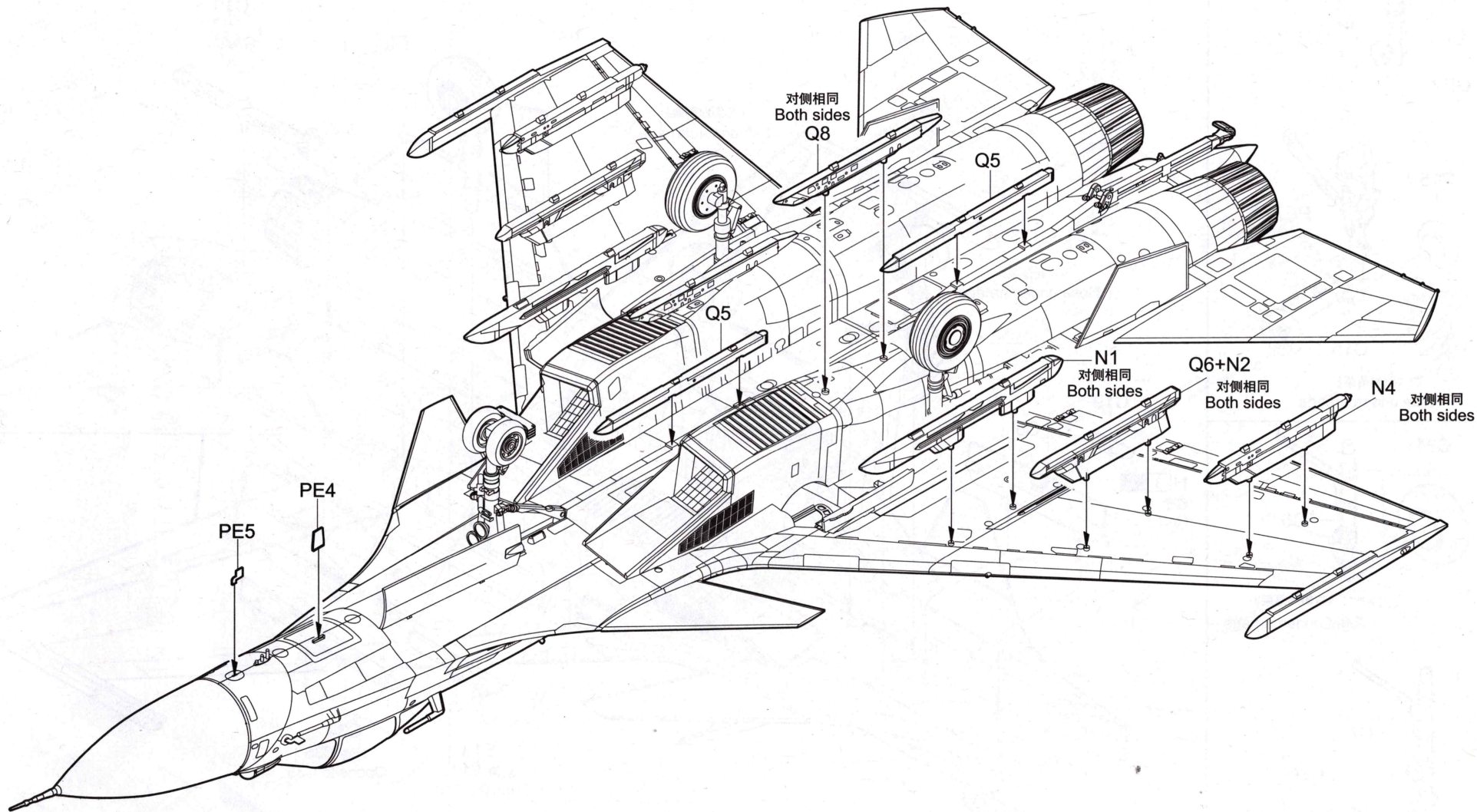
《右侧起落架》  
Right undercarriage



《左侧起落架》  
Left undercarriage

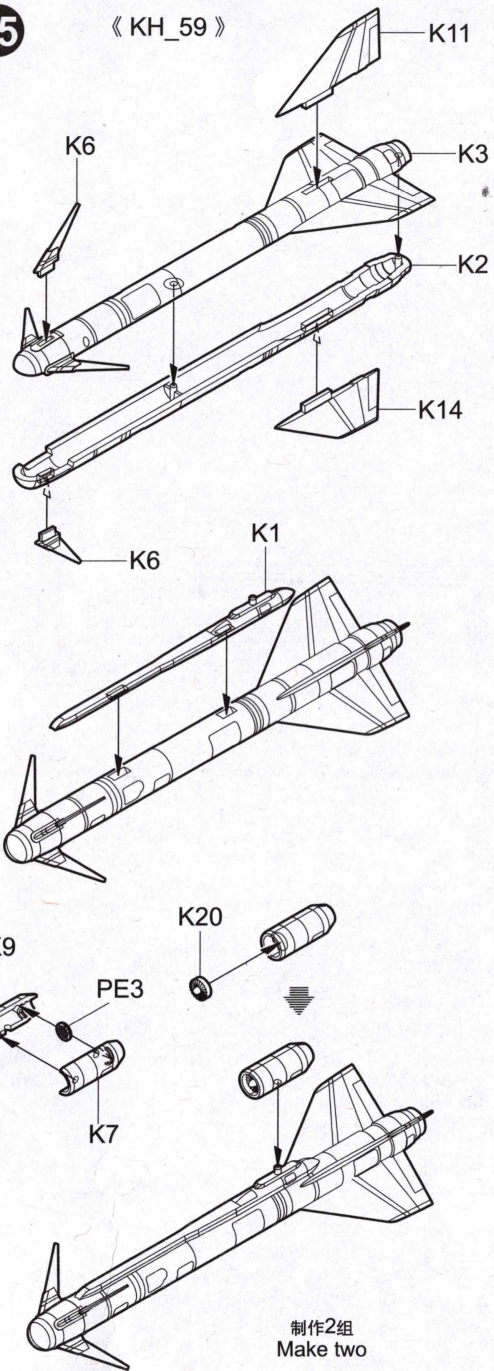
13





15

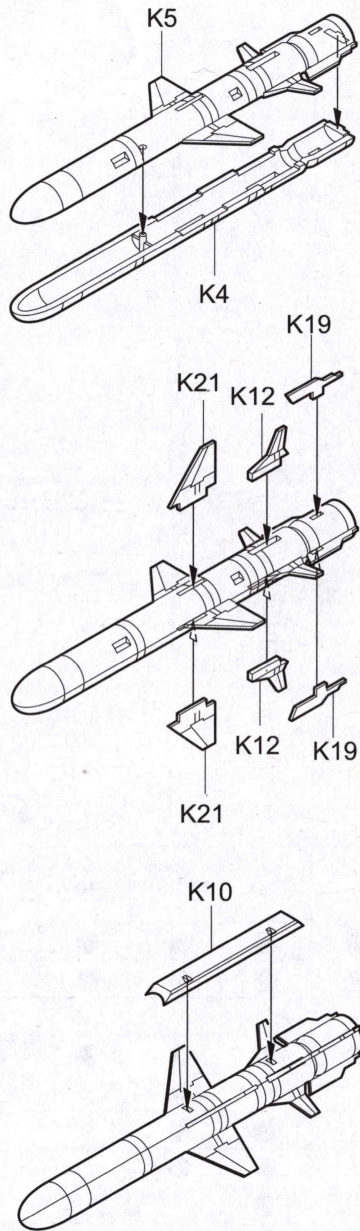
《KH\_59》



制作2组  
Make two

16

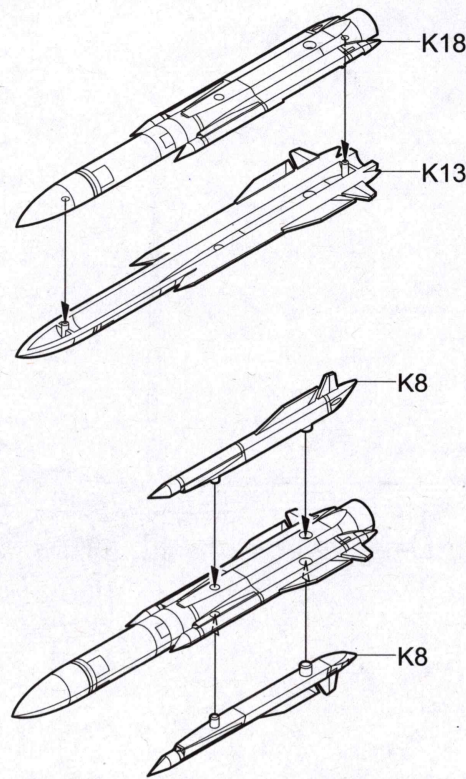
《KH\_35》



制作4组  
Make four

17

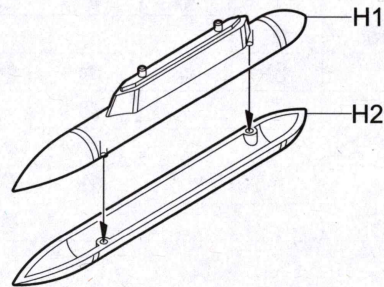
《KH\_31》



制作4组  
Make four

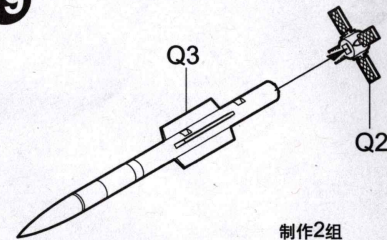
18

《APK\_9》



19

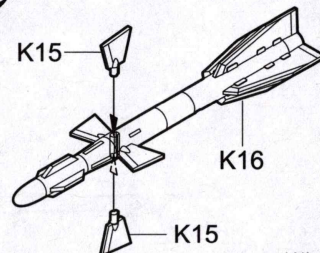
《R\_77》



制作2组  
Make two

20

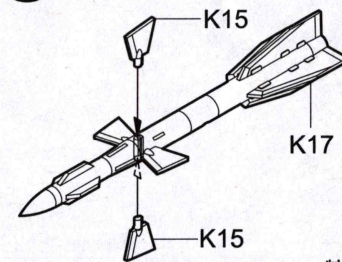
《R\_27ET》



制作4组  
Make four

21

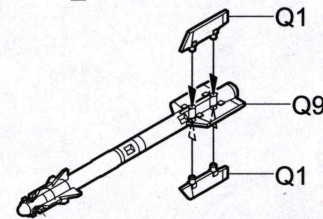
《R\_27ER》



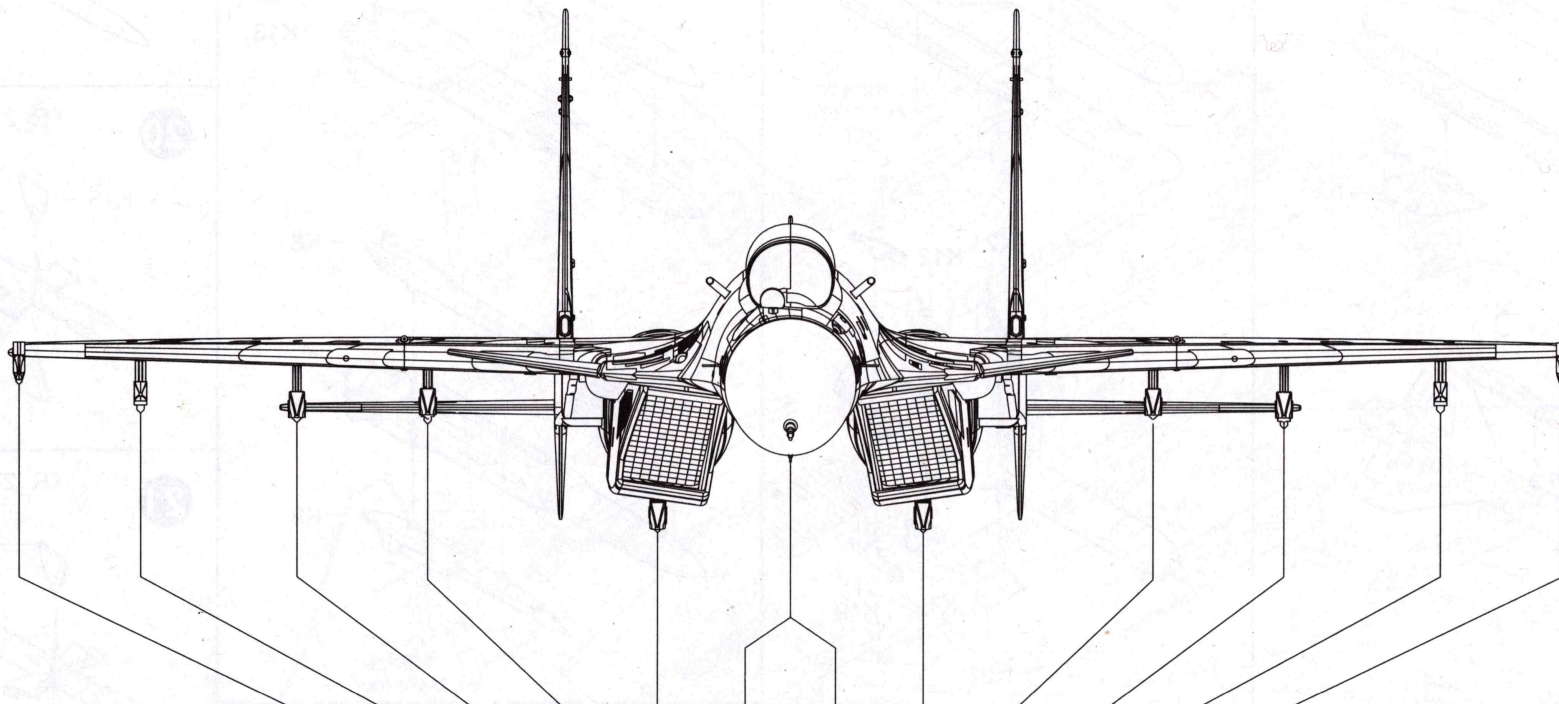
制作4组  
Make four

22

《R\_73》



制作2组  
Make two



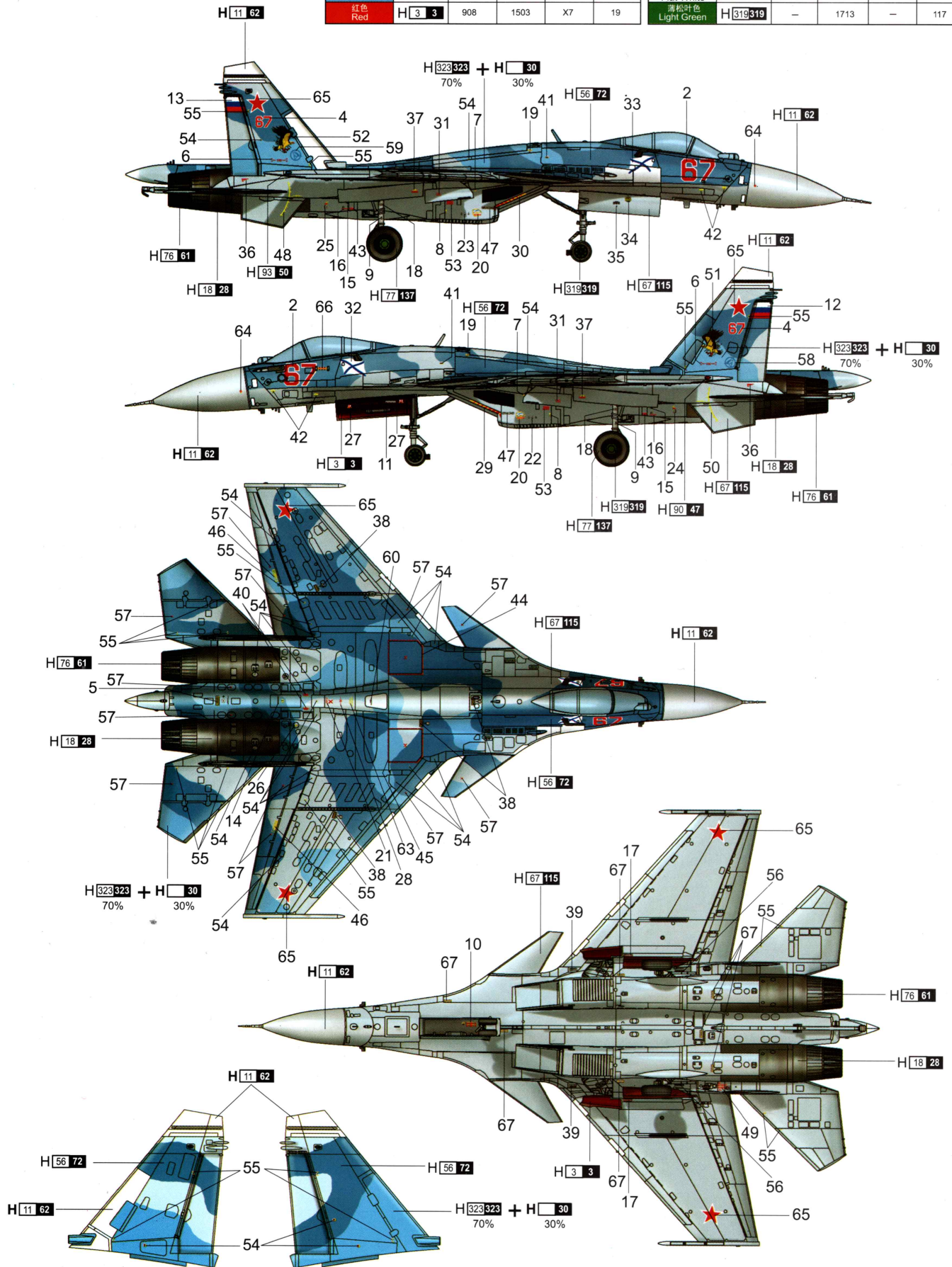
Sta.No.	1	2	3	4	5	Front 6	Back 7	8	9	10	11	12
Missile/Tank												
R-27ER			●	●	●	●	●	●	●	●		
R-27ET			●	●	●	●	●	●	●	●		
R-73	●	●									●	●
R-77		●	●	●	●	●	●	●	●	●	●	
R-59				●					●			
R-35				●	●			●	●			
R-31				●	●			●	●			
APK-9					●			●				

# 涂装同标贴指示 Painting & Marking guide

**A**

PAINT REFERENCE COLOUR					
Color	Mr.Hobby	Vallejo	Model Master	Tamiya	Humbrol
烧铁色 Burnt Iron	H 76 61	863	1795	X10	53
胎黑色 Tire black	H 77 137	—	—	—	—
透明红 Clear Red	H 90 47	934	—	X27	—
透明蓝 Clear Blue	H 93 50	938	—	X23	—
浅蓝色 Blue	H 323 323	—	—	—	—
红色 Red	H 3 3	908	1503	X7	19

PAINT REFERENCE COLOUR					
Color	Mr.Hobby	Vallejo	Model Master	Tamiya	Humbrol
黑铁色 Metal Brown	H 18 28	864	1402	—	—
灰蓝色 Intermediate Blue	H 56 72	903	1720	—	144
浅蓝色 Light Blue	H 67 115	906	—	XF23	65
清光剂 Flat Base	H 30	540	—	XF21	—
清光白 Flat White	H 11 62	951	1768	XF2	34
绿松石色 Light Green	H 319 319	—	1713	—	117



H [X] AQUEOUS HOBBY COLOUR    X MR.COLOUR

# 涂装同标贴指示 Painting & Marking guide

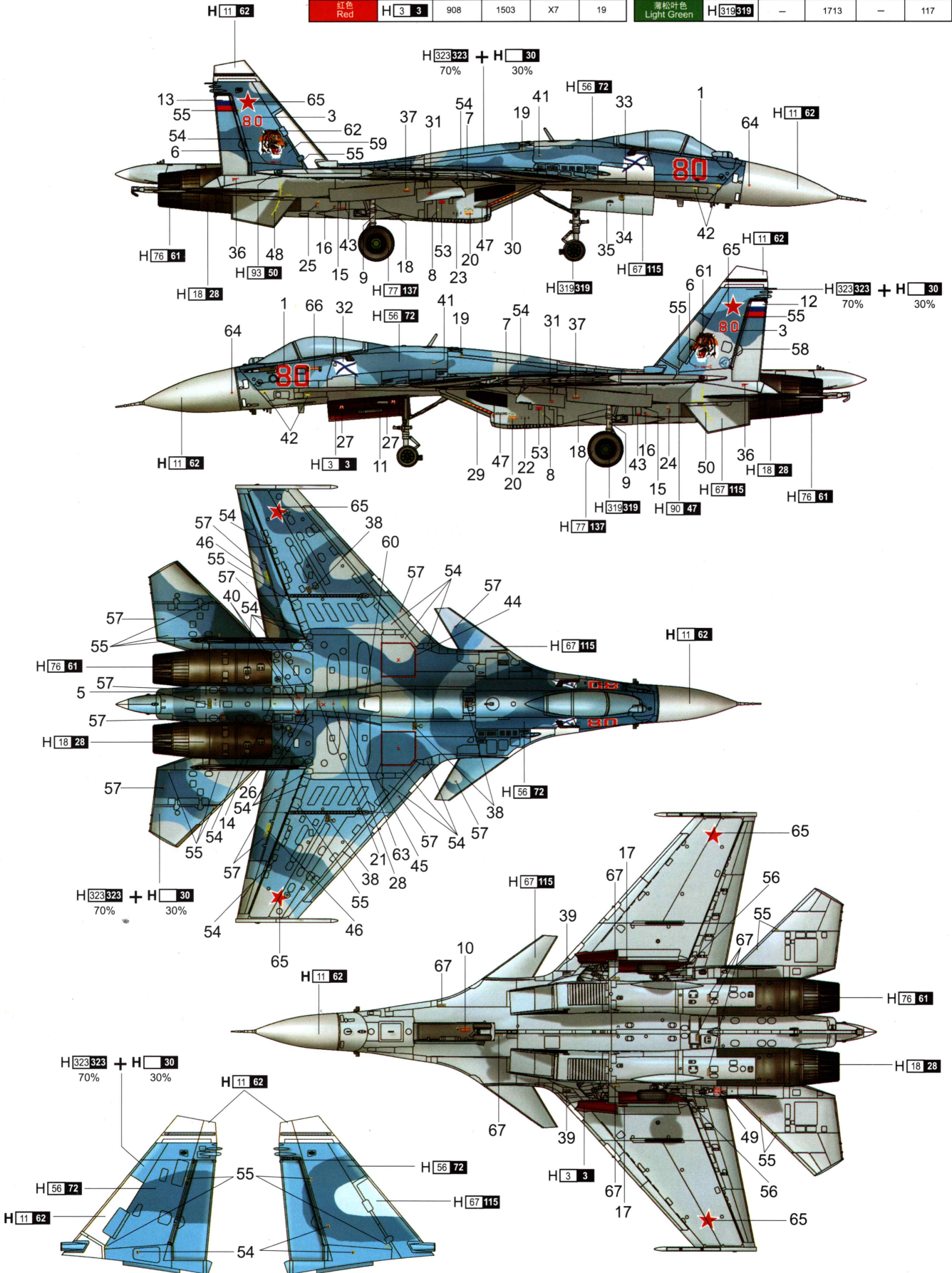
**B**

## PAINT REFERENCE COLOUR

Color	Mr.Hobby	Vallejo	Model Master	Tamiya	Humbrol
烧铁色 Burnt Iron	H 76 61	863	1795	X10	53
胎黑色 Tire Black	H 77 137	-	-	-	-
透明红 Clear Red	H 90 47	934	-	X27	-
透明蓝 Clear Blue	H 93 50	938	-	X23	-
浅蓝色 Blue	H 323 323	-	-	-	-
红色 Red	H 3 3	908	1503	X7	19

## PAINT REFERENCE COLOUR

Color	Mr.Hobby	Vallejo	Model Master	Tamiya	Humbrol
黑棕色 Metal Brown	H 18 28	864	1402	-	-
灰蓝色 Intermediate Blue	H 56 72	903	1720	-	144
浅蓝色 Light Blue	H 67 115	906	-	XF23	65
消光剂 Flat Base	H 30	540	-	XF21	-
消光白 Flat White	H 11 62	951	1768	XF2	34
海松叶色 Light Green	H 319 319	-	1713	-	117



H [ ] AQVEOUS HOBBY COLOUR    X [ ] MR.COLOUR

# 涂装同标贴指示 Painting & Marking guide



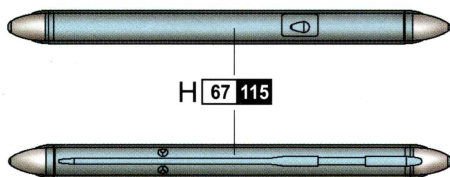
## PAINT REFERENCE COLOUR

Color	Mr.Hobby	Vallejo	Model Master	Tamiya	Humbrol
白色 White	H 1 1	842	1745	XF2	22
浅蓝色 Light Blue	H 67 115	906	—	XF23	65
银色 Silver	H 8 8	997	1546	X11	11

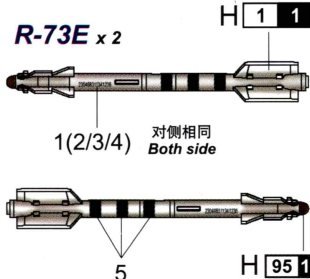
## PAINT REFERENCE COLOUR

Color	Mr.Hobby	Vallejo	Model Master	Tamiya	Humbrol
烟灰色 Smoke Gray	H 95 101	—	—	—	—
消光黑 Flat black	H 12 33	950	1749	XF1	33
灰色 Gray	H 308 308	990	1728	XF19	127

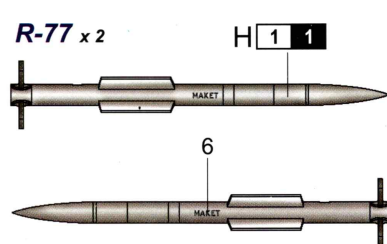
SPS-171 x 2



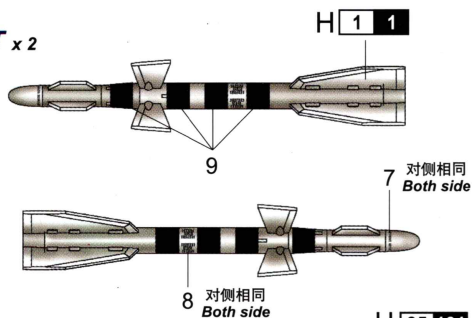
R-73E x 2



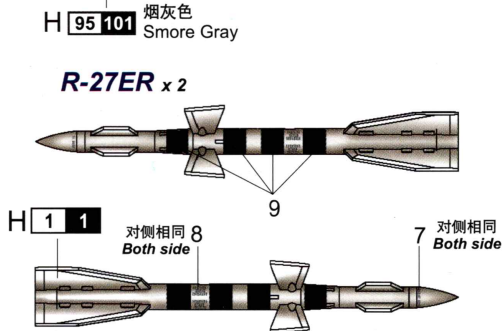
R-77 x 2



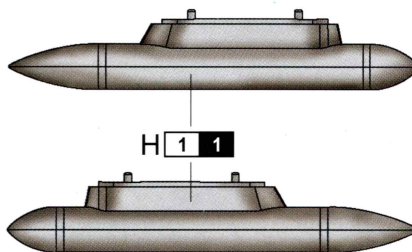
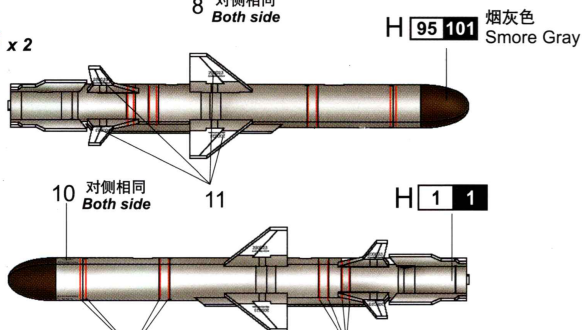
R-27ET x 2



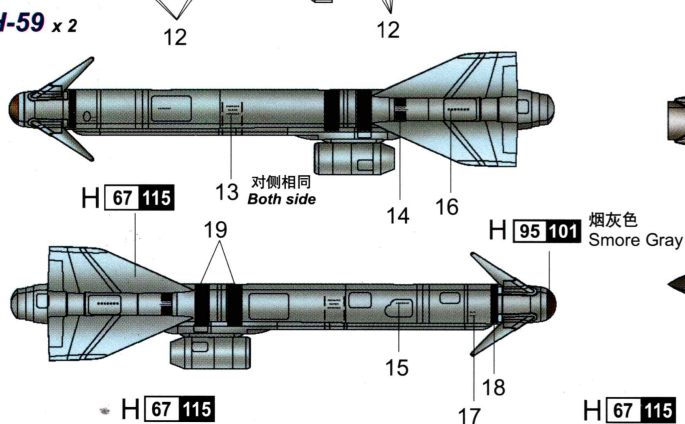
R-27ER x 2



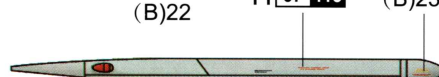
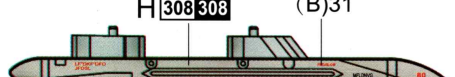
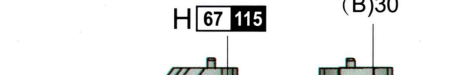
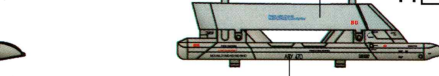
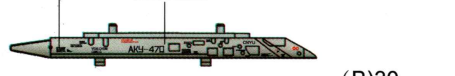
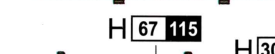
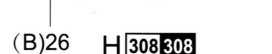
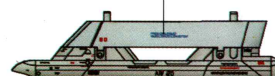
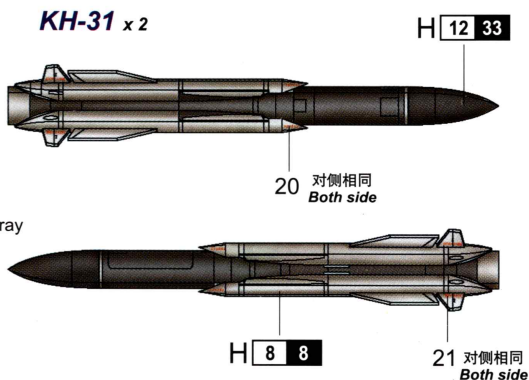
KH-35 x 2



KH-59 x 2



KH-31 x 2



H X AQUEOUS HOBBY COLOUR

X MR.COLOUR