

Messerschmitt Me 262 A-2a

1:32 SCALE

梅塞斯密特 Me 262 A-2a

READ BEFORE ASSEMBLY

- Study and understand these instructions thoroughly before beginning assembly. Make sure all parts are included by comparing them to those shown on pages 2 & 3 of these instructions.
- Remove parts from sprues as needed, and trim excess with a hobby knife. Be careful not to lose small parts.
- Remove photo-etch parts from sprue as needed using a hobby knife or photo etch cutter.
- Apply cement to photo etch parts as shown on instructions. Applying too much cement will restrict the operation of these

movable parts. Apply cement carefully! Removed photo etch parts can have sharp edges. Take care when handling these to avoid injury.

- Apply decals to necessary parts prior to assembly.
- Additional tools recommended(not included):Sprue cutter, Long nose pliers, hobby knife, file, tweezers, pin vise, scissors, cement, sandpaper, soft cloth, glue and paint.
- Keep all parts out of reach of children, as they pose a choking hazard. Discard all unnecessary bags and sprues when model is completed to avoid accidental injury.

装配之前仔细阅读

- 小心用模型锉刀锉平所有零件表面的注射浇口。
- 小心用刀片切下蚀刻片零件，不要遗失小零件。
- 用强力快干胶水粘合蚀刻片零件和金属轴。过量的快干胶水使用可能导致可动零件会粘住，小心涂胶。
- 取蚀刻片时应特别注意安全，防止利边划伤手指。
- 某些零件表面需贴水上贴纸，请选择在装配的同时进行。
- 推荐模型工具(自备)：胶水，水口剪刀，长咀钳，刀片，锉刀，镊子钳，钻，剪刀，瞬间快干胶。
- 软布同砂纸同时也应该是必备工具。
- 请使用塑料胶水和油漆，模型内不含。
- 谨防小孩吸吮塑料零件，或者将塑料袋套在头上，制作时应将套材远离小孩接触。

水贴纸的使用:

1. 从水贴纸上剪下印花;
2. 将印花放入温水中浸10秒，然后放在干净布上。
3. 拿着印花纸板将印花移到模型上;
4. 手指蘸水将印花移到适当的位置;
5. 用软布轻压印花直至水干，气泡消失。

DECAL APPLICATION

1. Cut off decal from sheet.
2. Dip the decal in tepid water 40°C for about 10 sec. and place on a clean cloth.
3. Hold the backing sheet edge and slide decal onto the model.
4. Move decal into position by wetting decal with finger.
5. Press decal gently down with a soft cloth until excess water and air bubbles are gone.



cyanoacrylate glue
使用强力胶



weight
配重



make hole
钻孔



cut / remove
切除



option
选择



no cement
不涂胶水



decal
贴纸



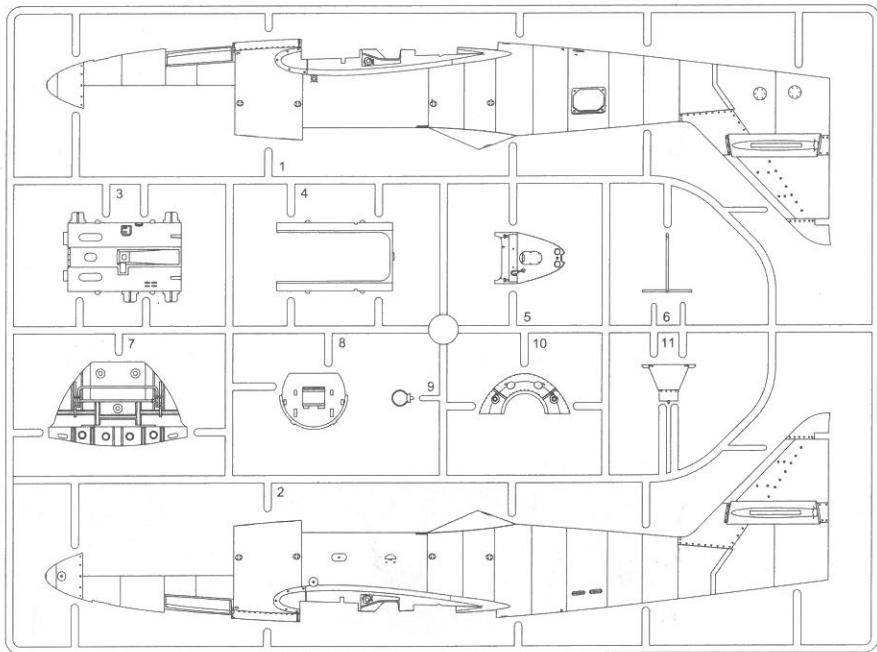
bend
弯曲



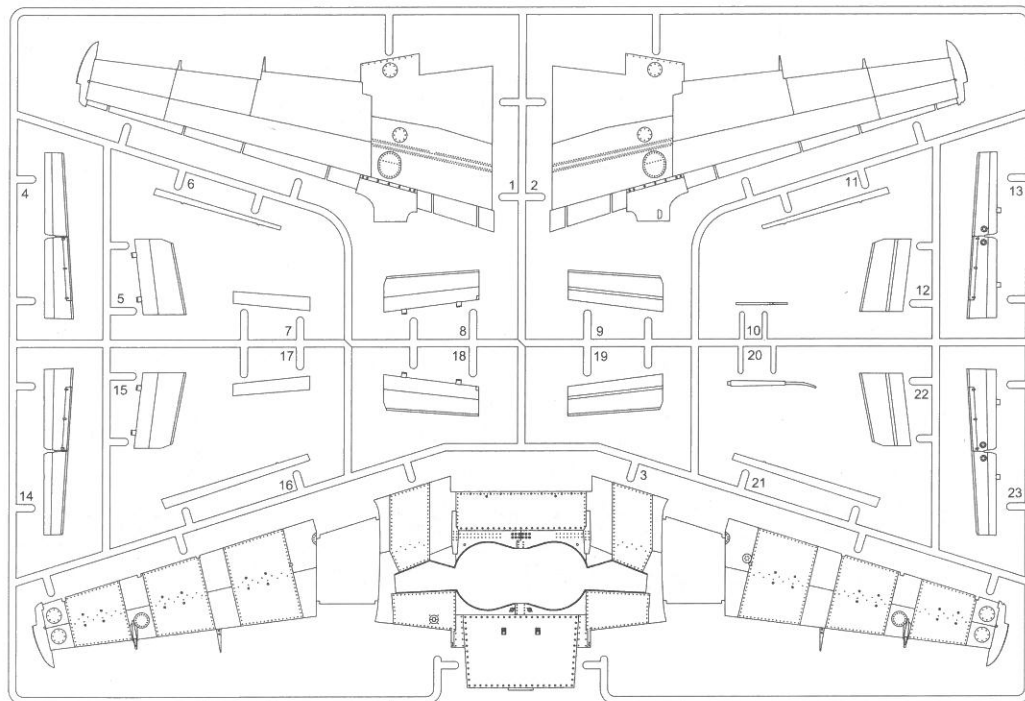
file / sand
锉平

部品图 Parts

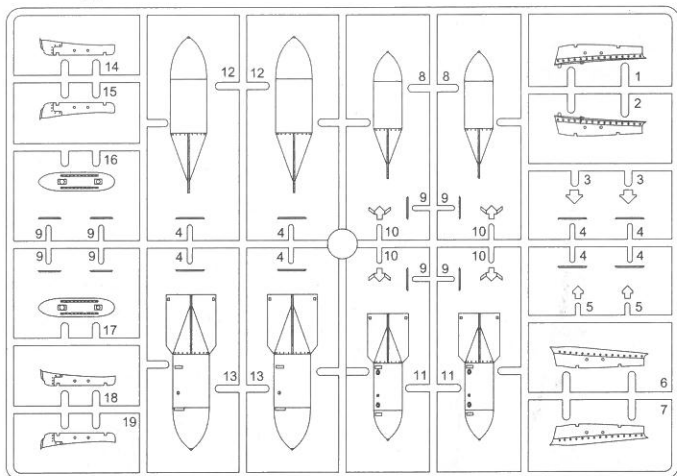
A



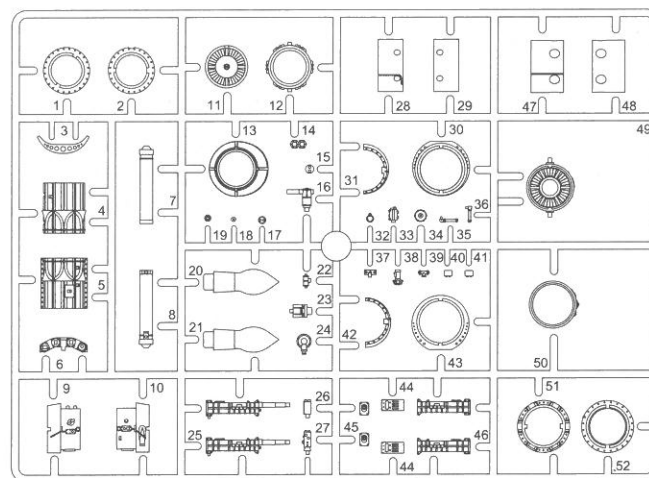
B



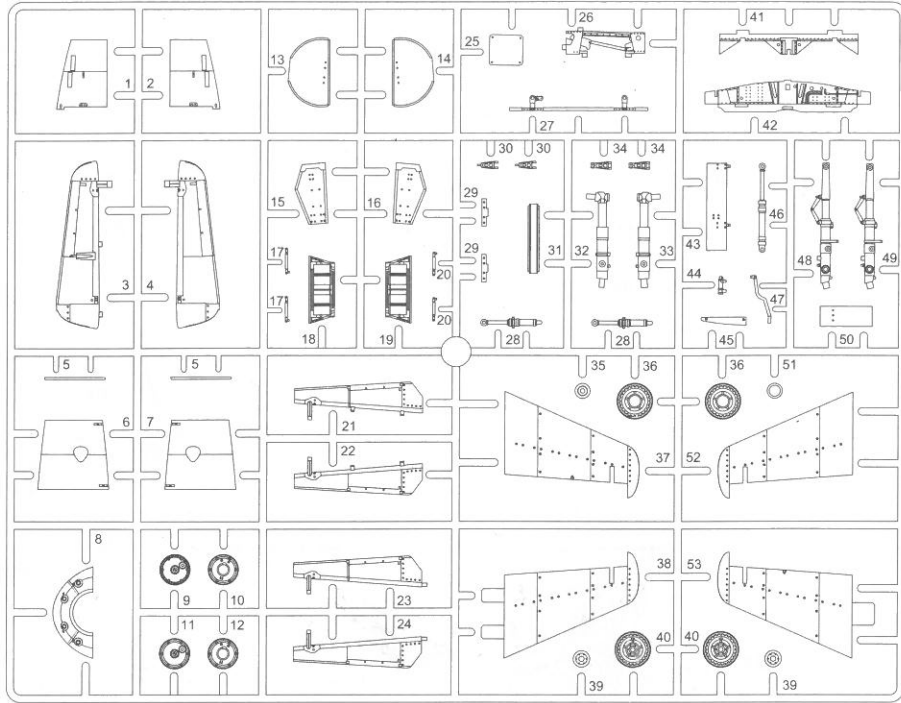
H



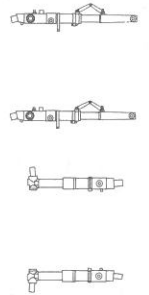
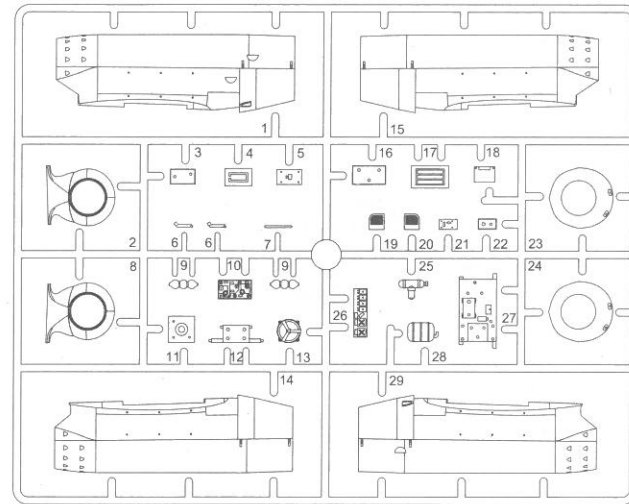
F x 2



C



E x 2



金属件
Metal parts



02235 1/32 Messerschmitt Me 262 A-1a

《菲林片》
Film

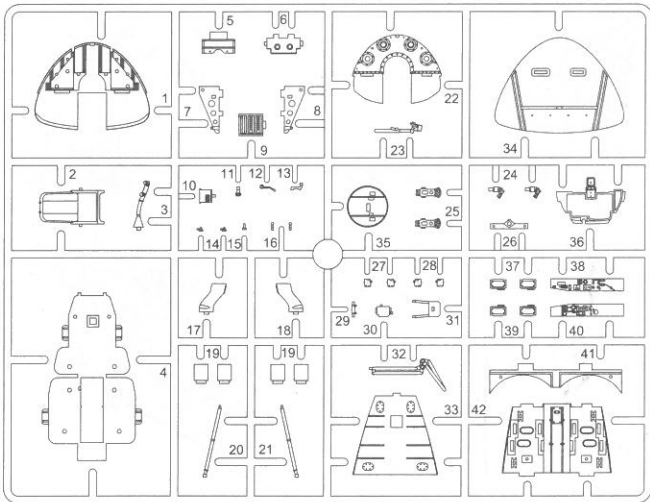


主轮胎
Main tire

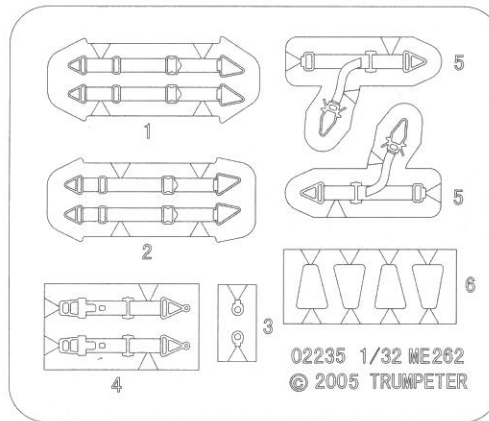
前轮胎(宽)
Nose tire(wide)

前轮胎(窄)
Nose tire(narrow)

D

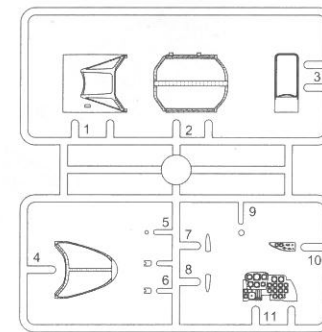


蚀刻片
Photo etched part

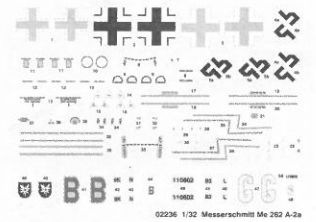


02235 1/32 ME262
© 2005 TRUMPETER

G

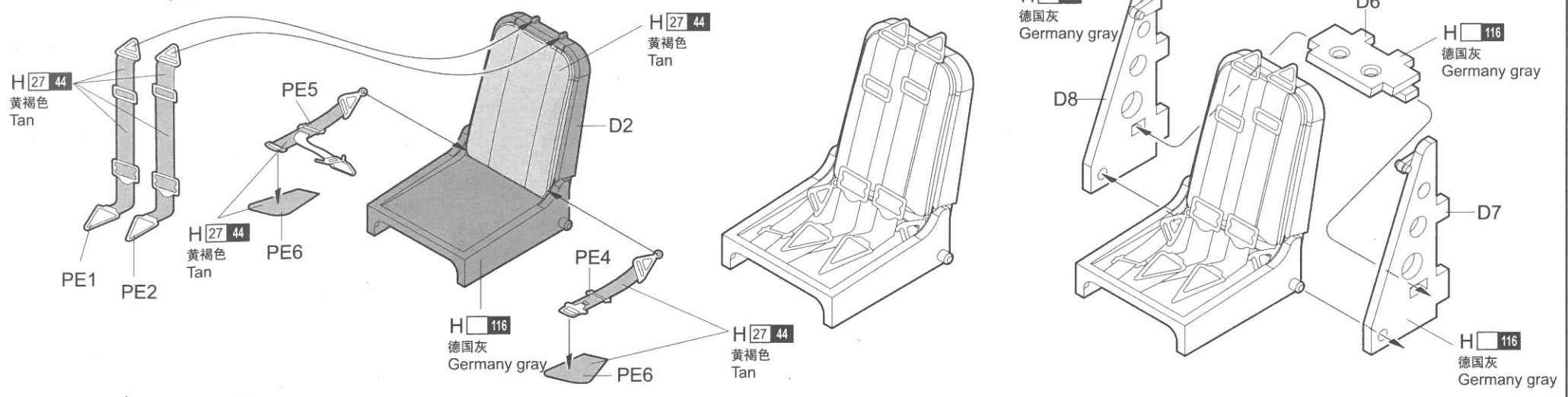


《贴纸》
Decal

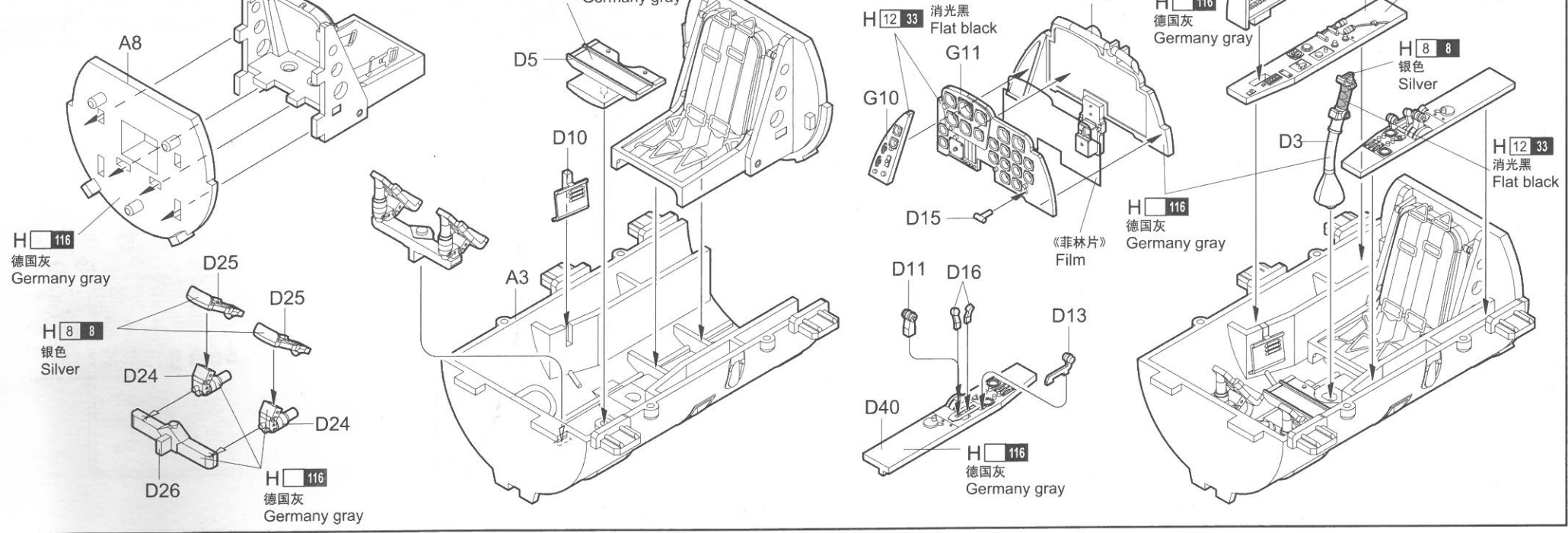


02236 1/32 Messerschmitt Me 262 A-2a

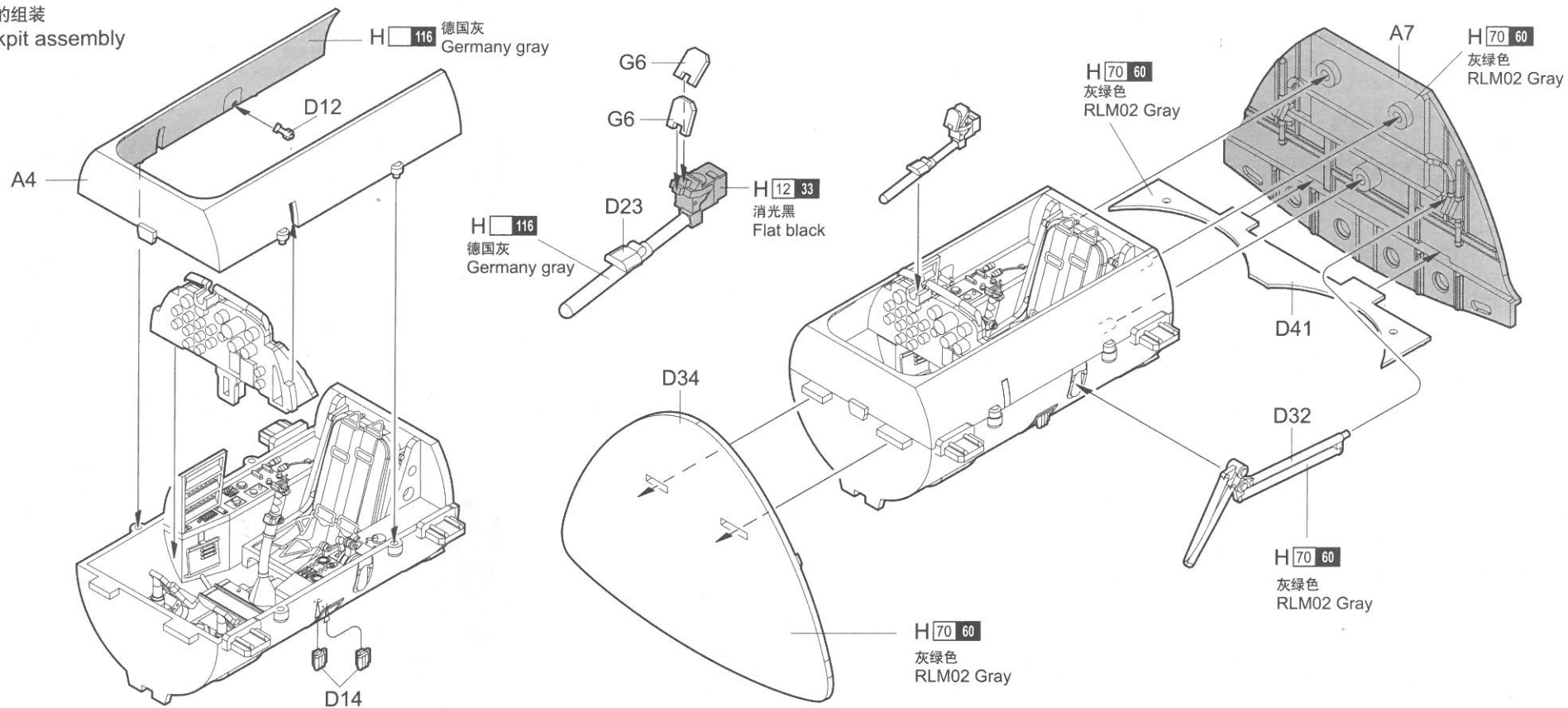
1 座椅的组装
Seat assembly



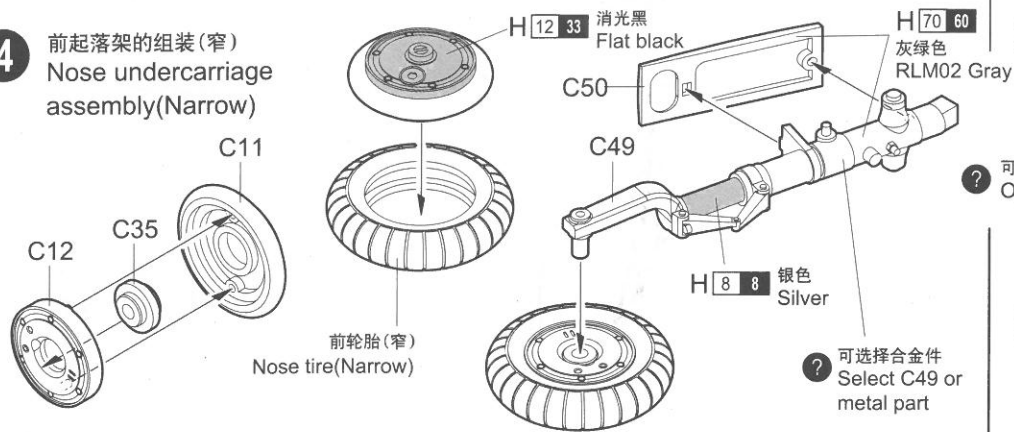
2 座舱的组装
Cockpit assembly



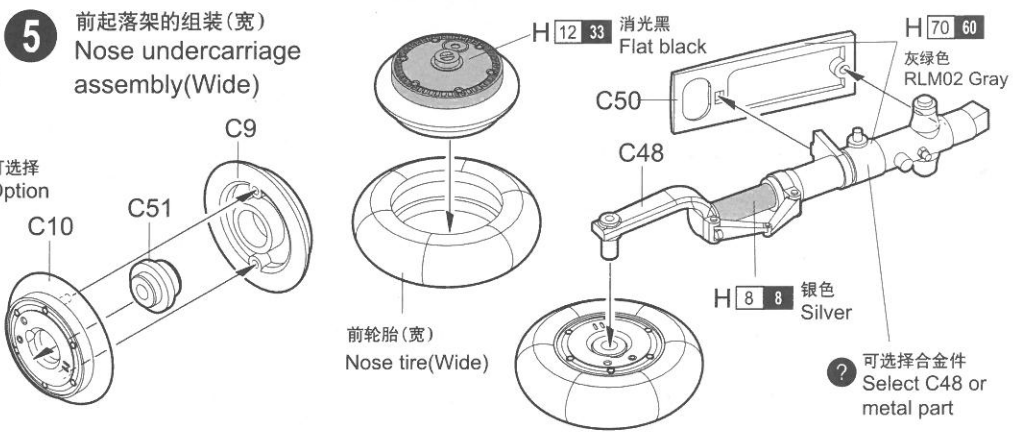
3 座舱的组装
Cockpit assembly



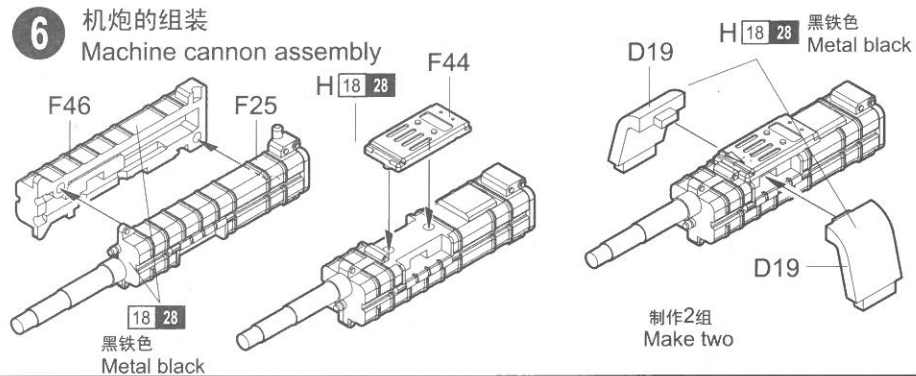
4 前起落架的组装(窄)
Nose undercarriage assembly(Narrow)



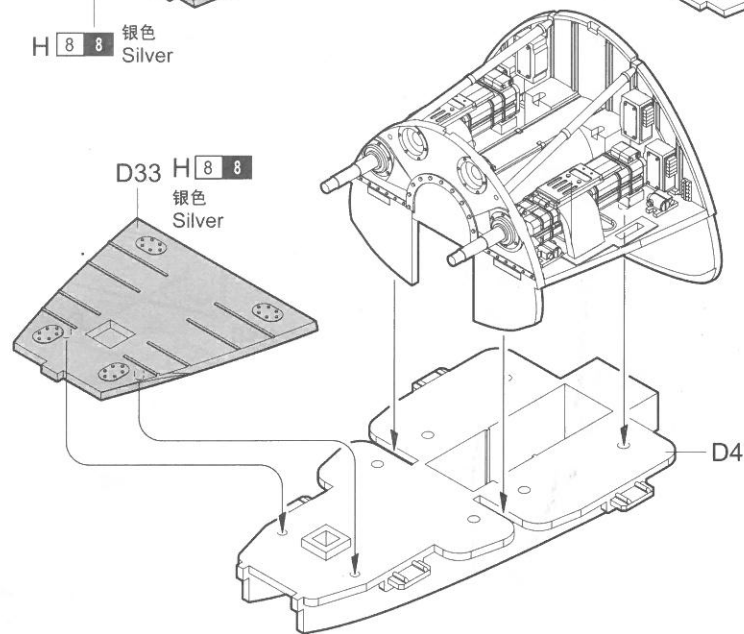
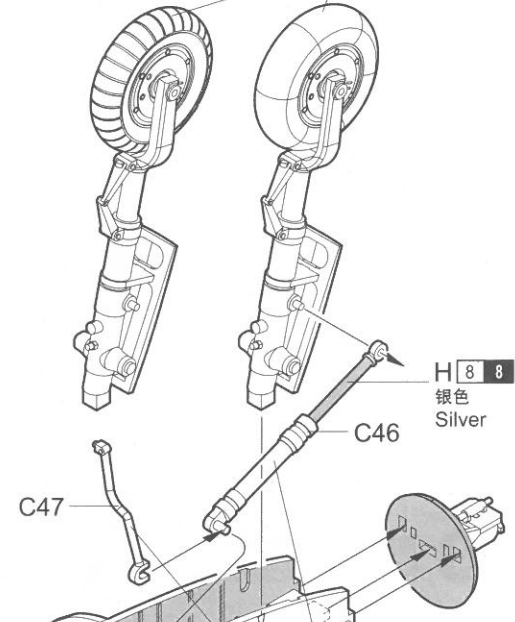
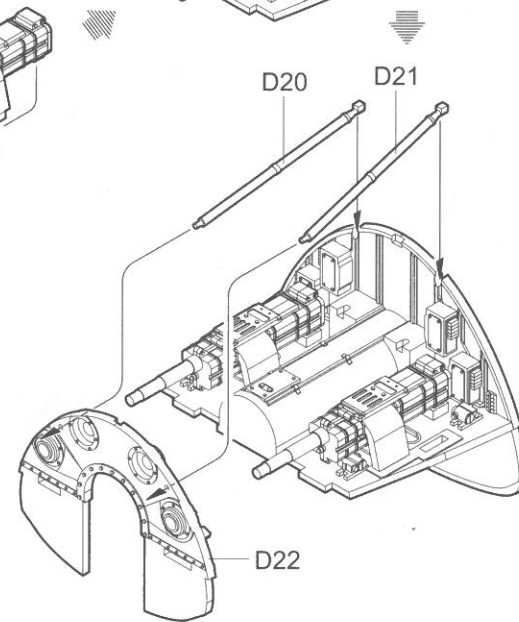
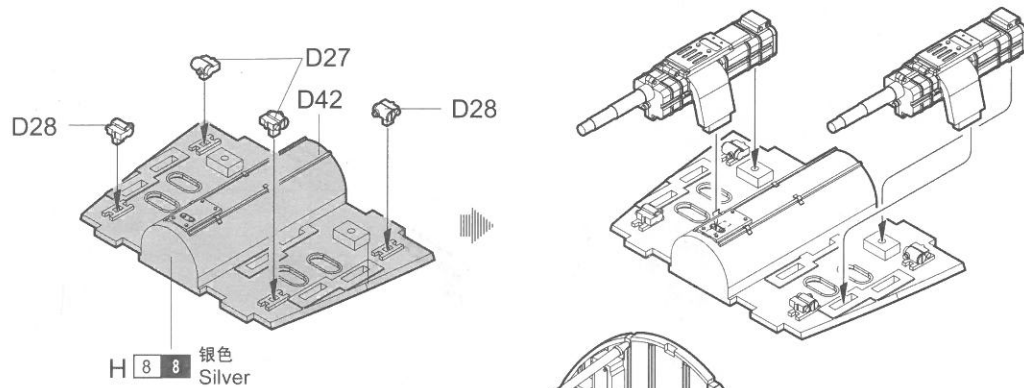
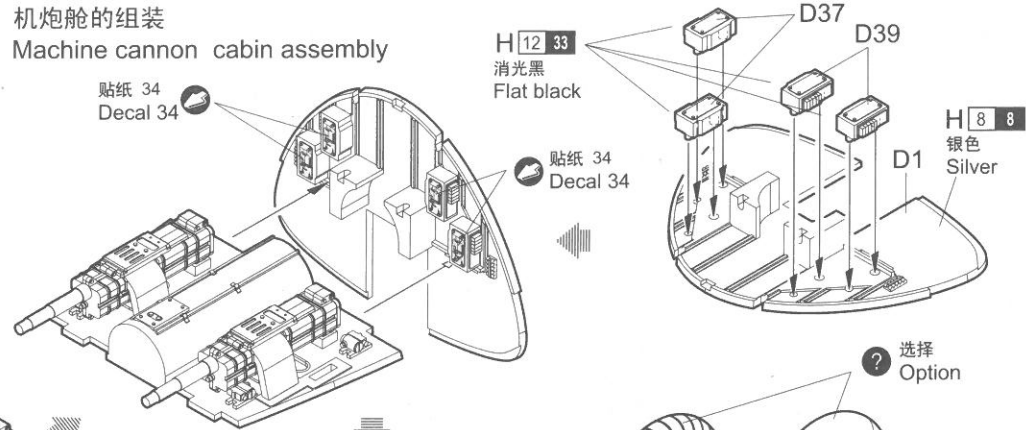
5 前起落架的组装(宽)
Nose undercarriage assembly(Wide)

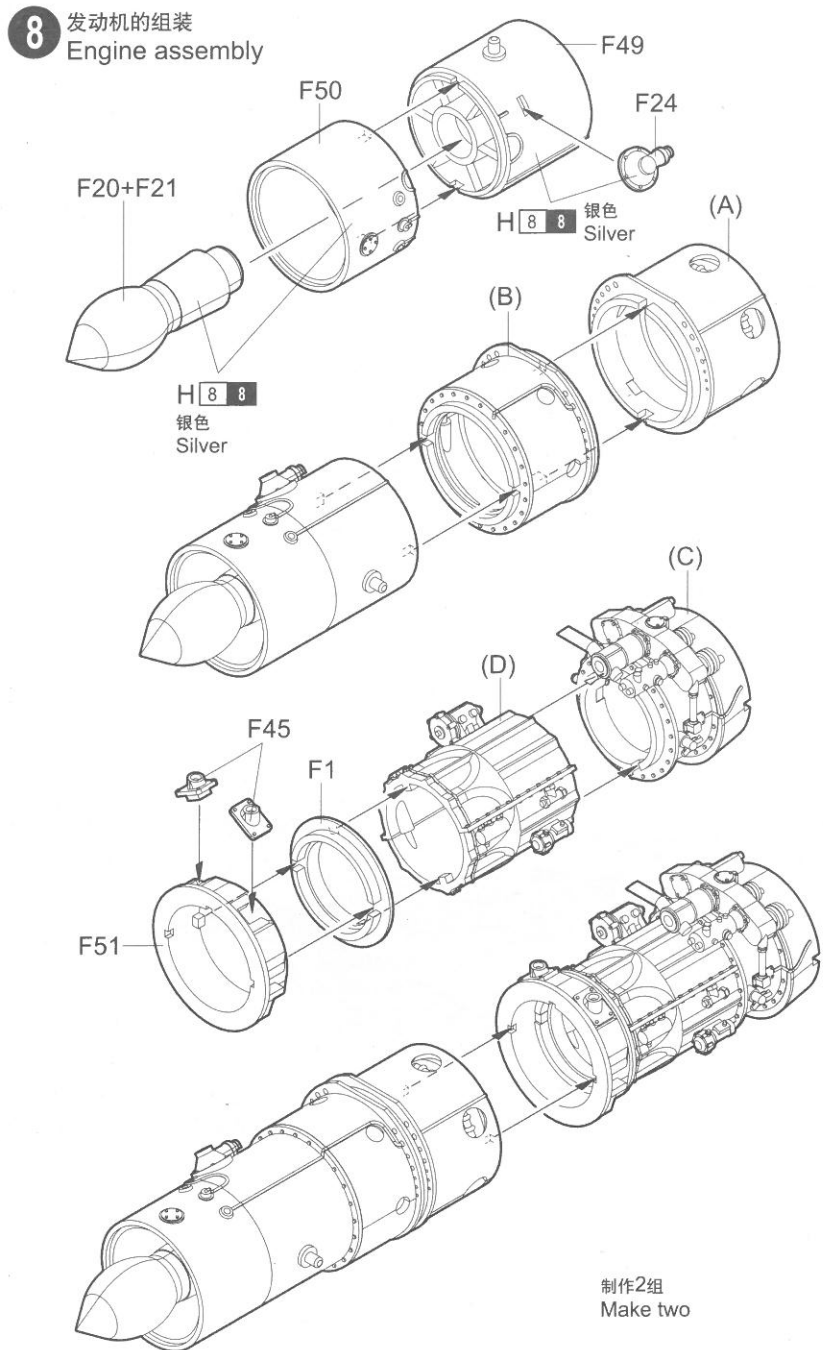
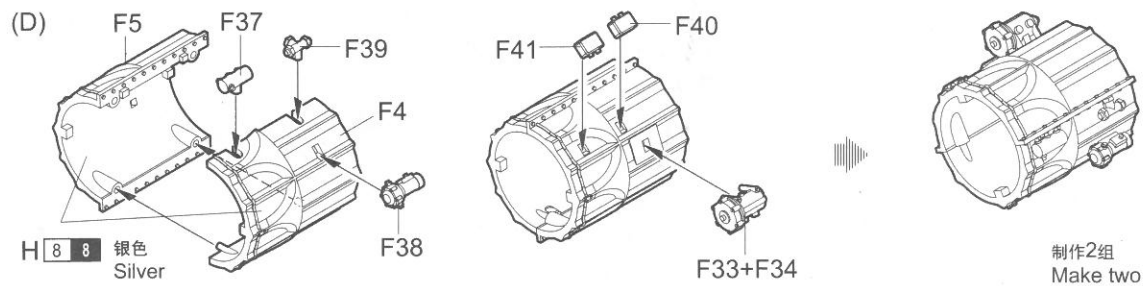
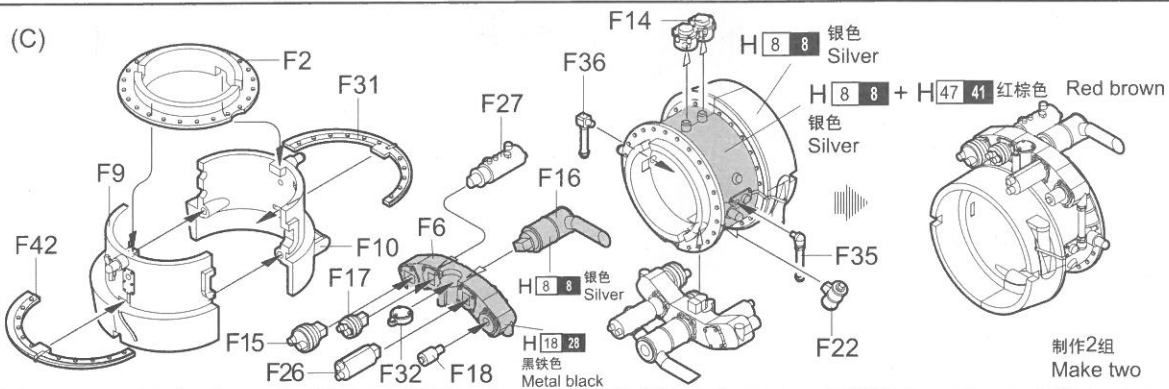
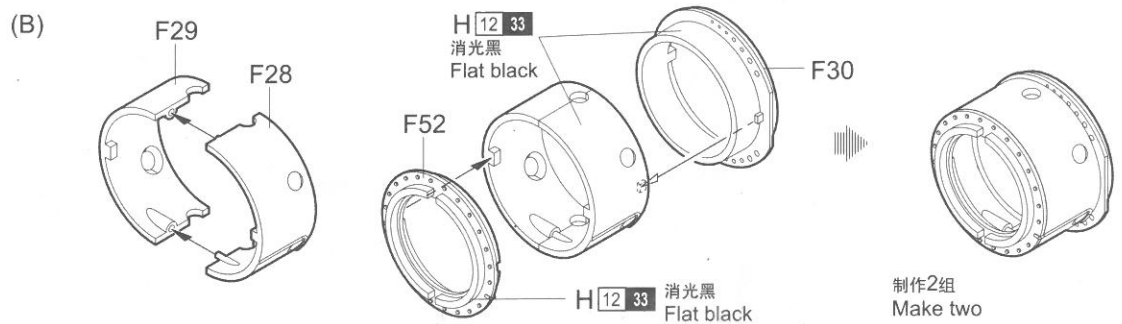
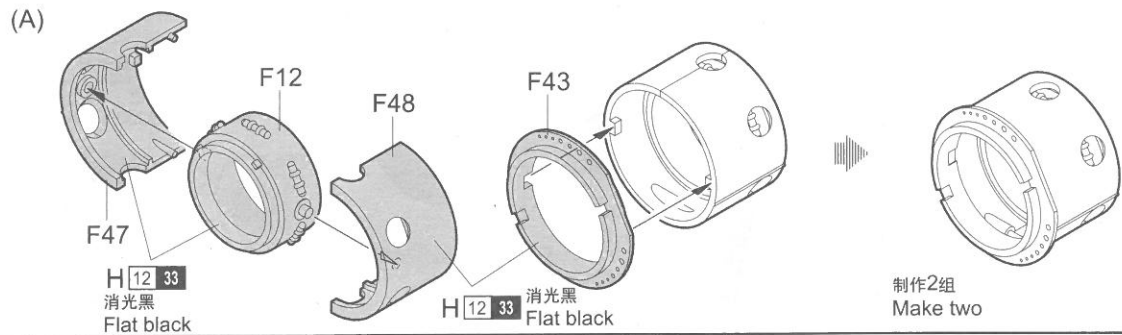


6 机炮的组装
Machine cannon assembly

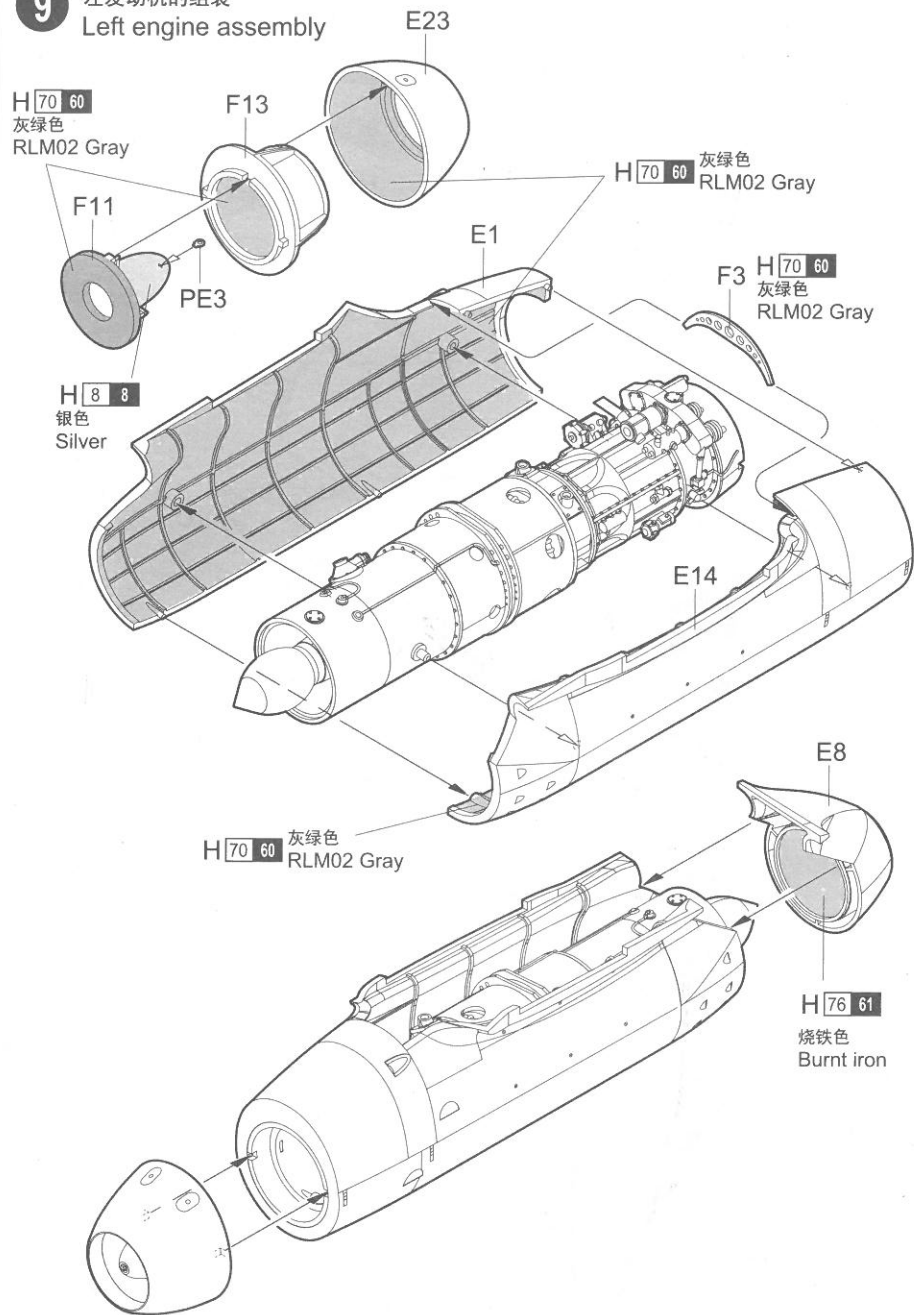


7 机炮舱的组装
Machine cannon cabin assembly

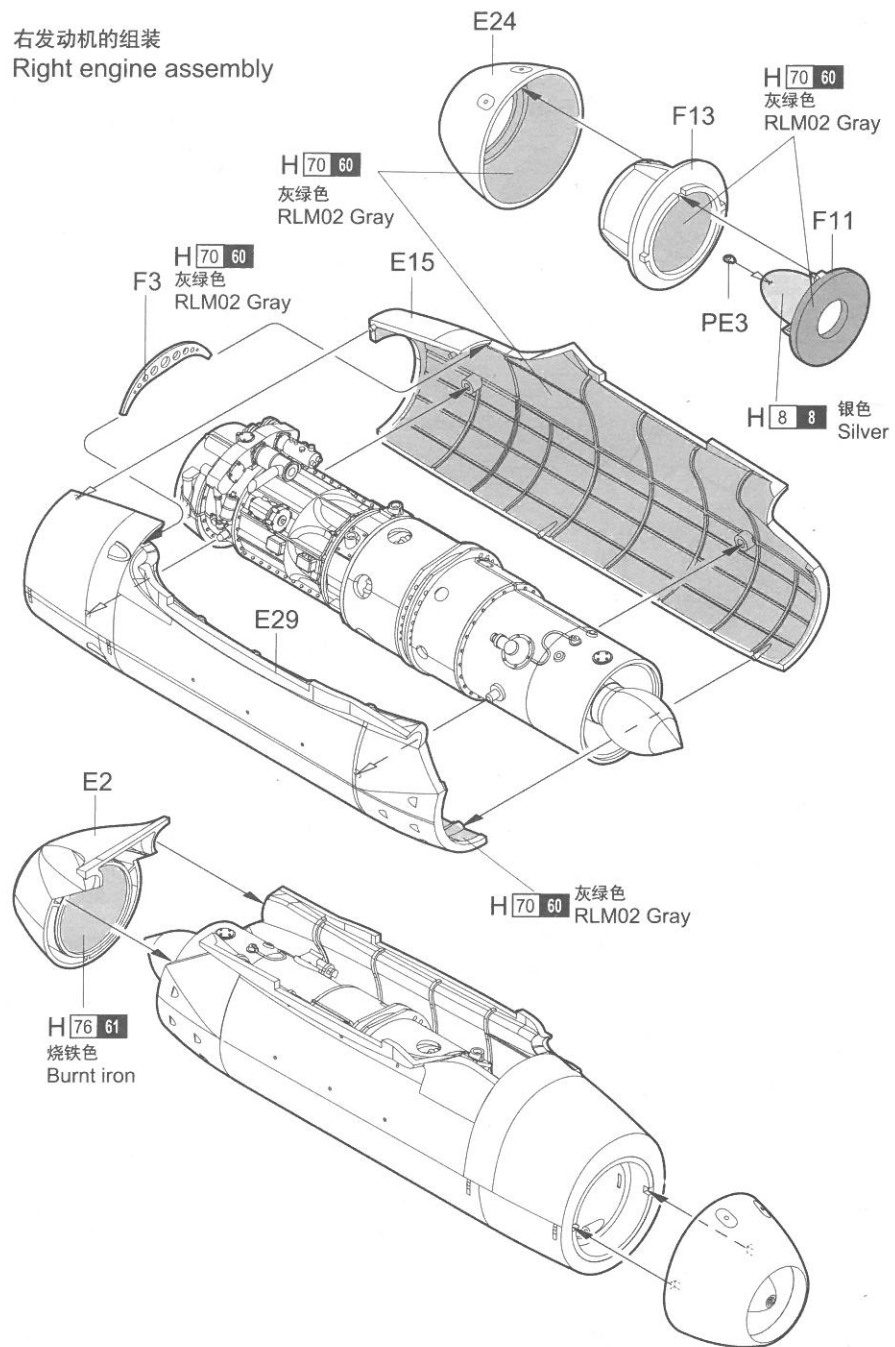




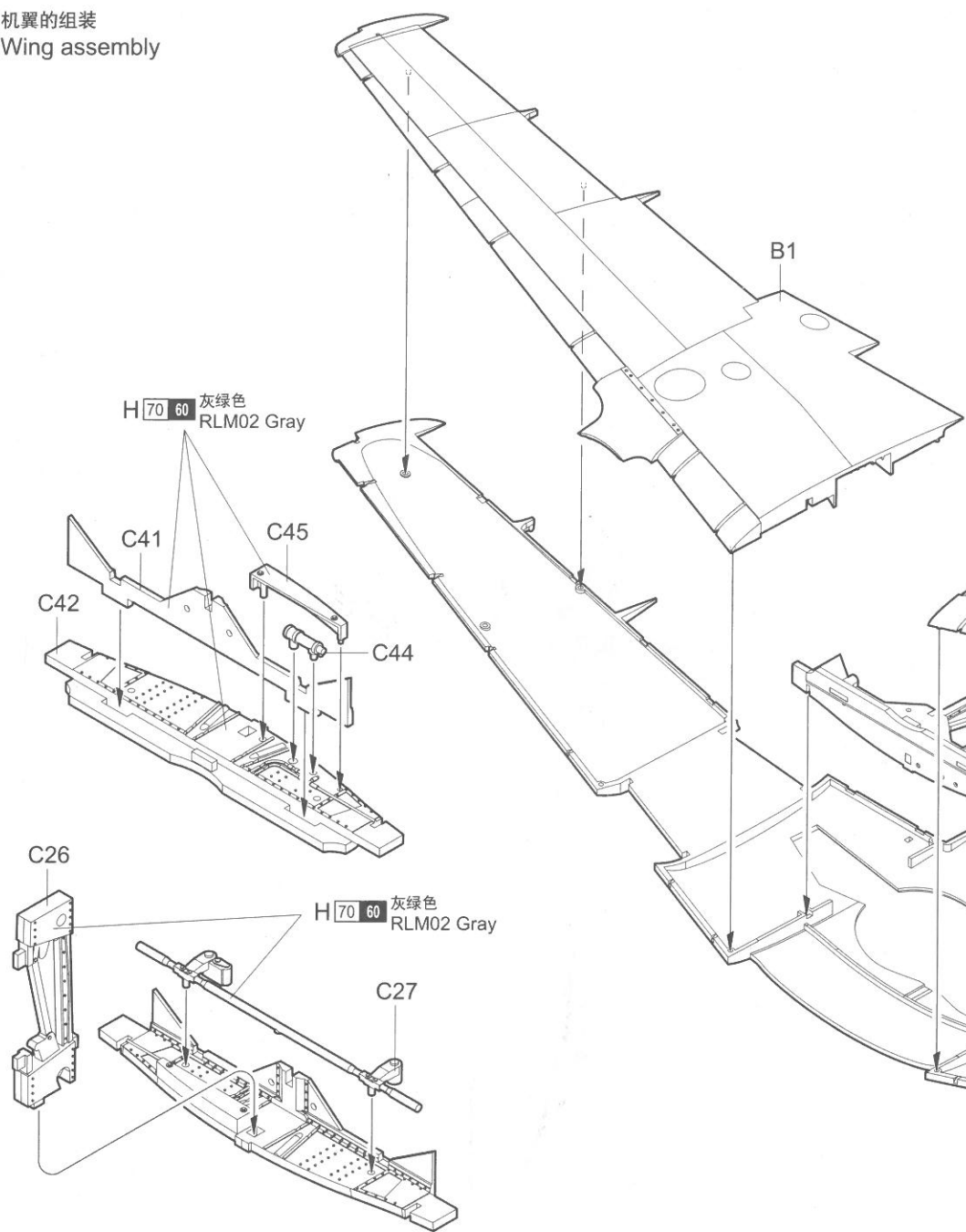
9 左发动机的组装
Left engine assembly



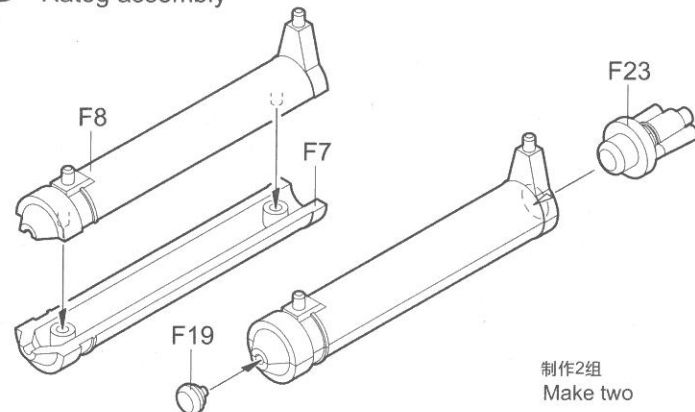
10 右发动机的组装
Right engine assembly



11 机翼的组装
Wing assembly

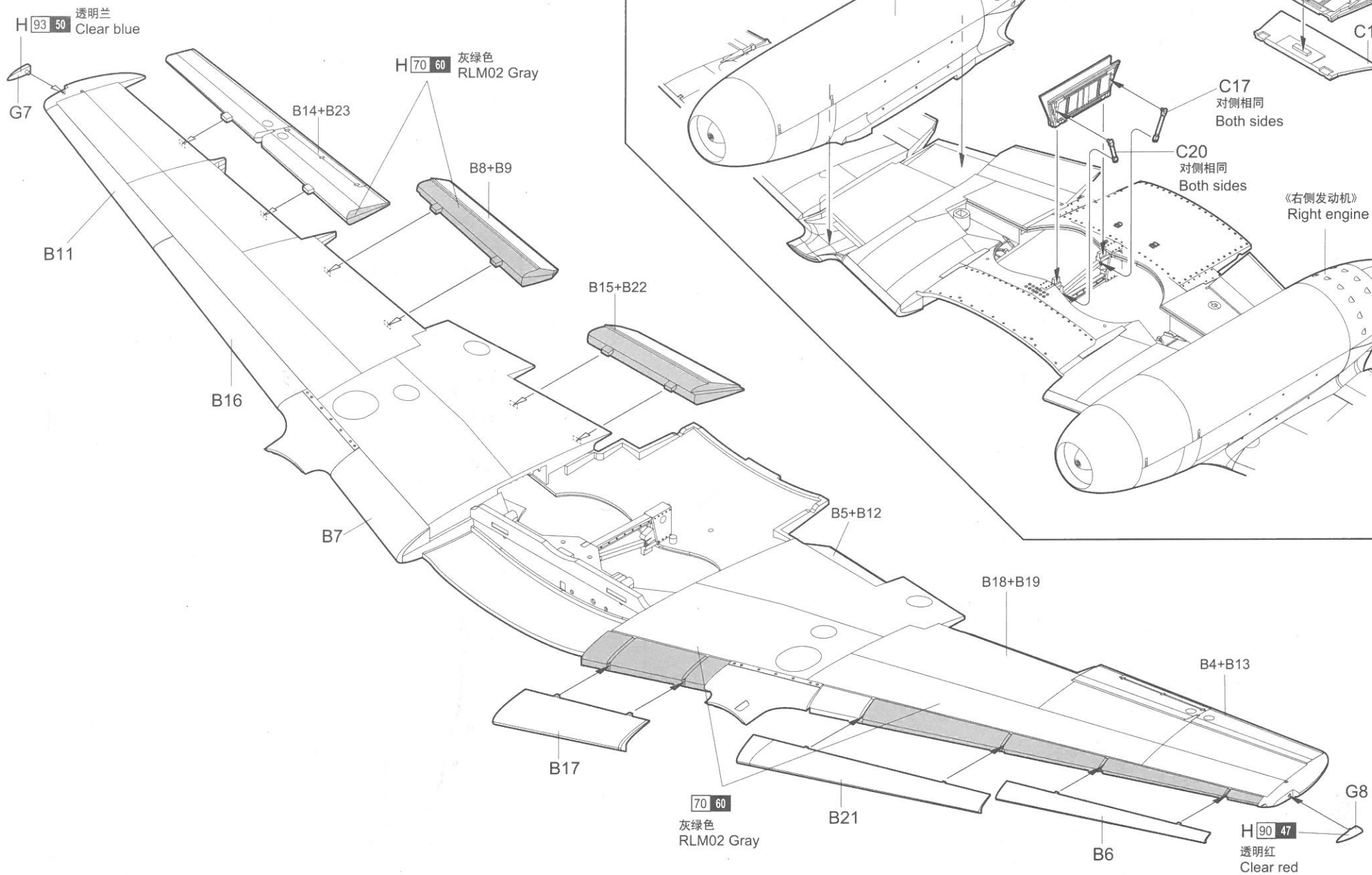


12 火箭助推器的组装
Ratog assembly

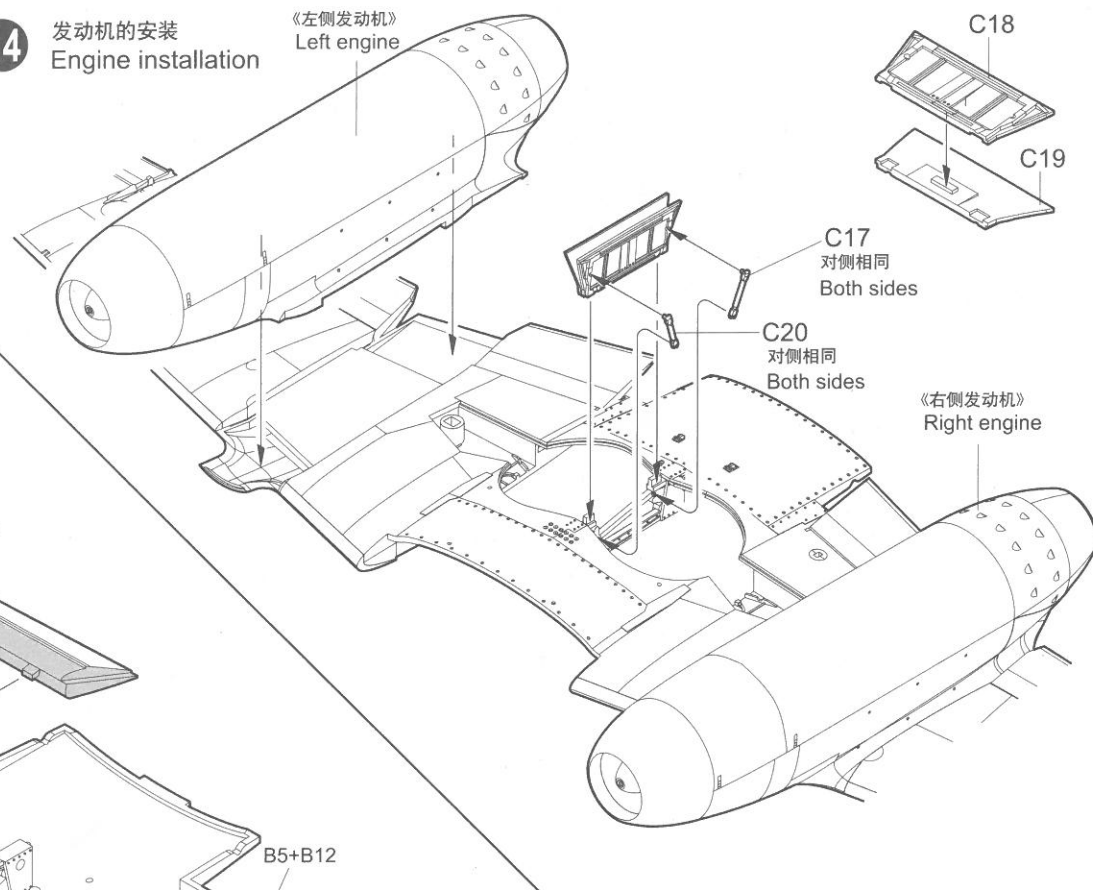


- ② 选择
Option
- ① 装火箭助推器时开孔
Make holes to fit ratog

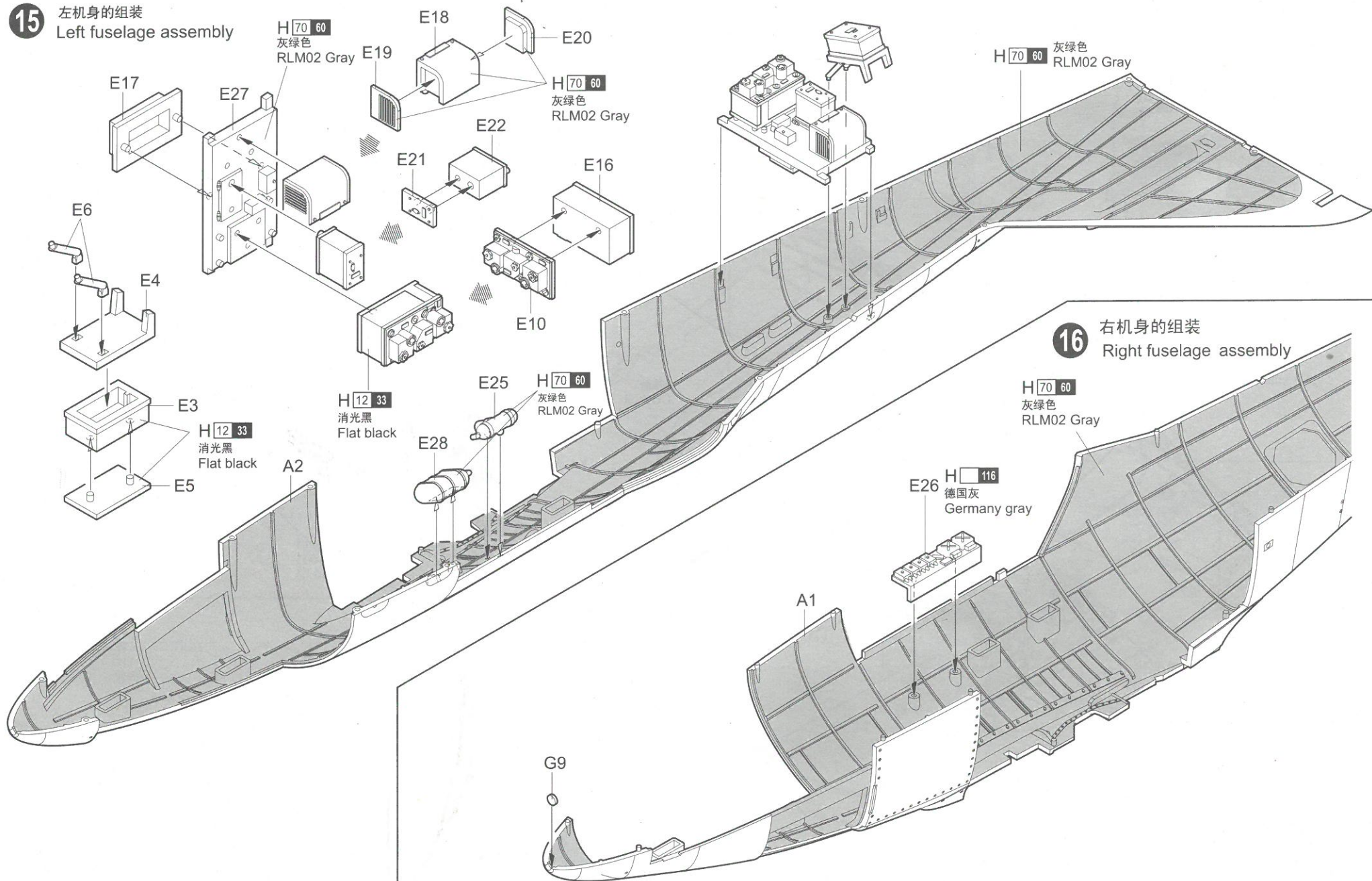
13 副翼和襟翼的安装
Aileron & flap installation



14 发动机的安装
Engine installation



15 左机身的组装
Left fuselage assembly

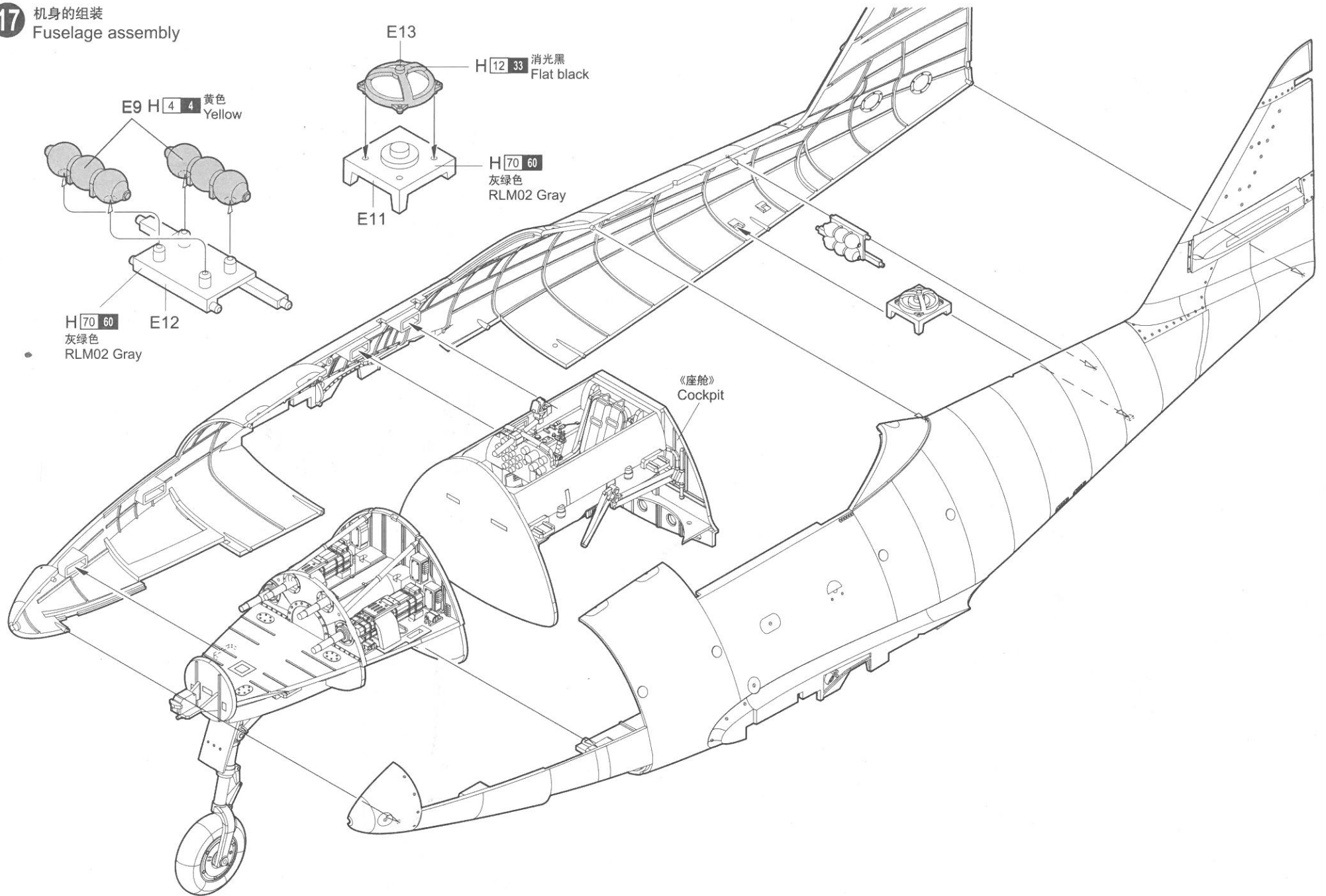


16 右机身的组装
Right fuselage assembly

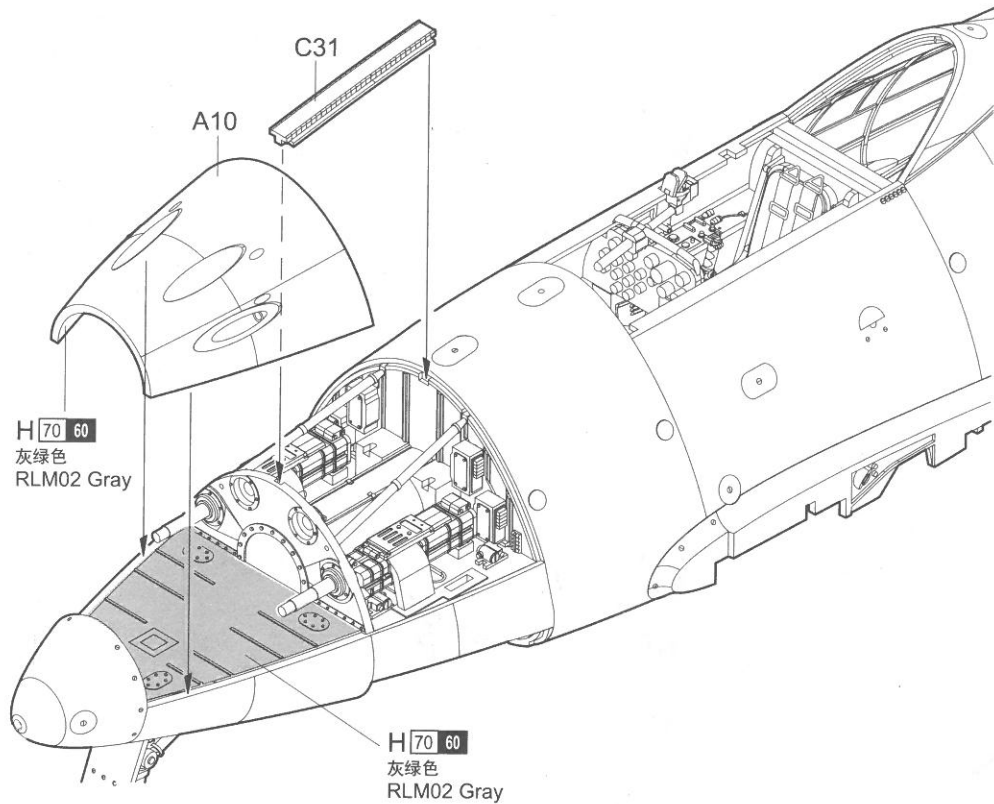
H 70 60
灰绿色
RLM02 Gray

H 116
德国灰
Germany gray

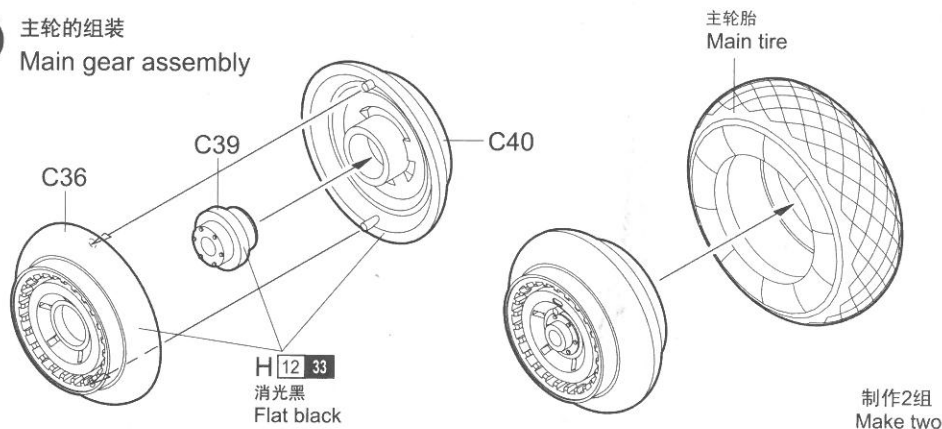
17 机身的组装
Fuselage assembly



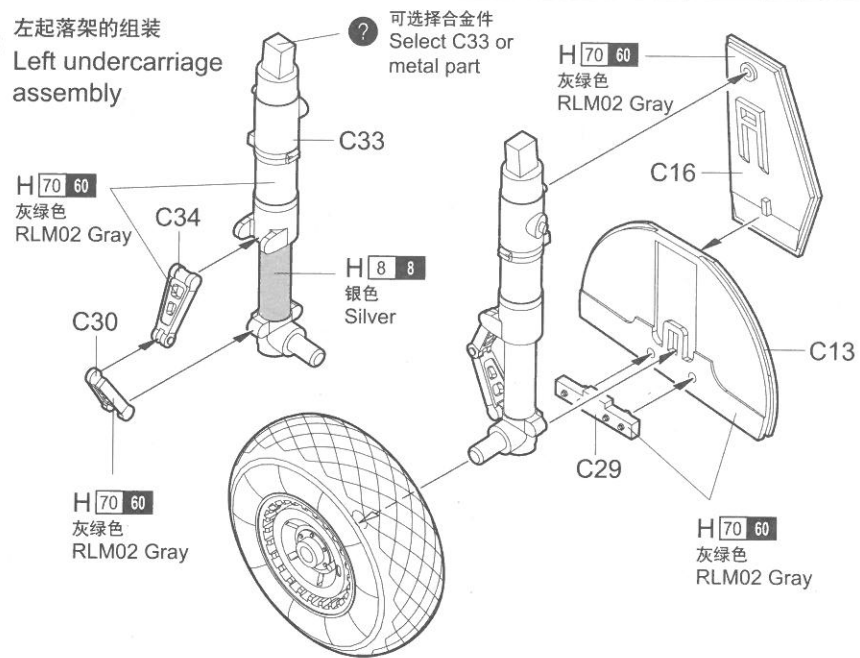
18 机炮舱盖的安装
Machine cannon cabin cover installation



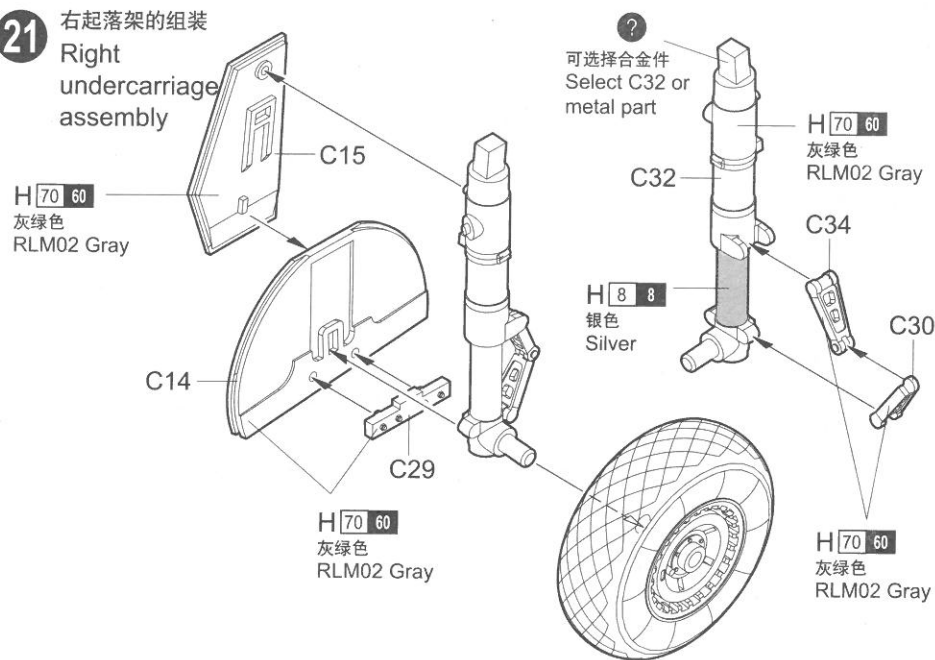
19 主轮的组装
Main gear assembly



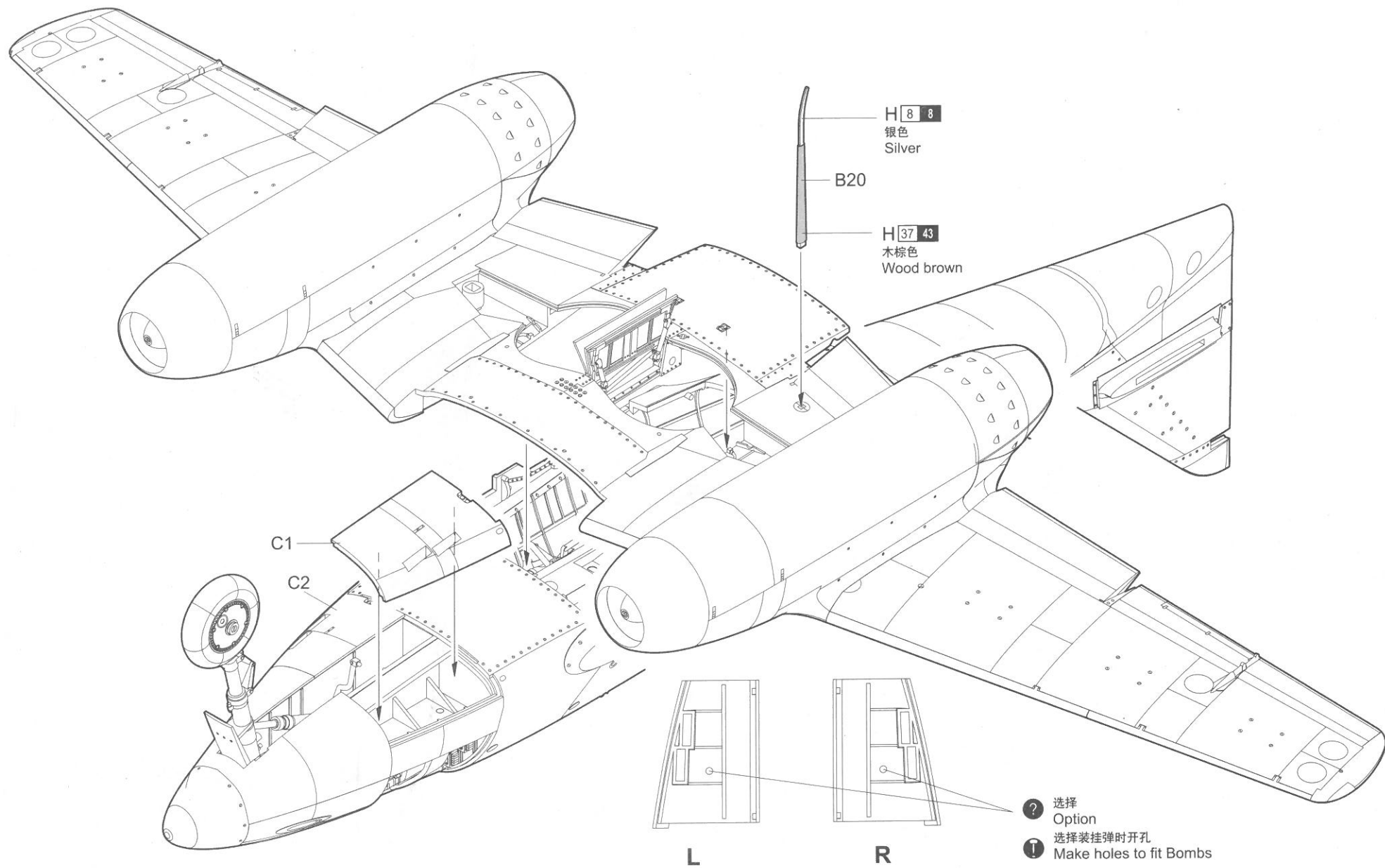
20 左起落架的组装
Left undercarriage assembly



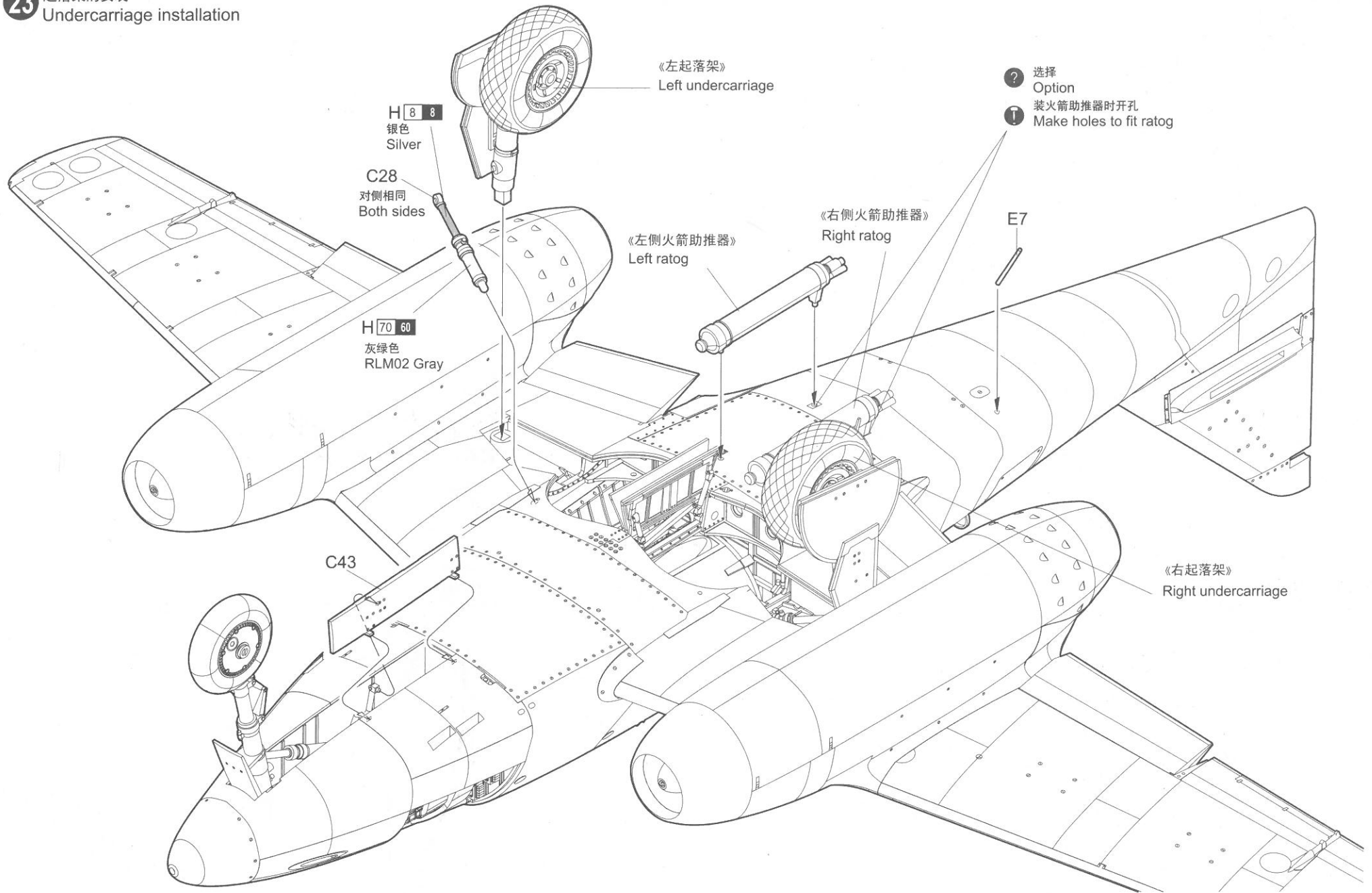
21 右起落架的组装
Right undercarriage assembly



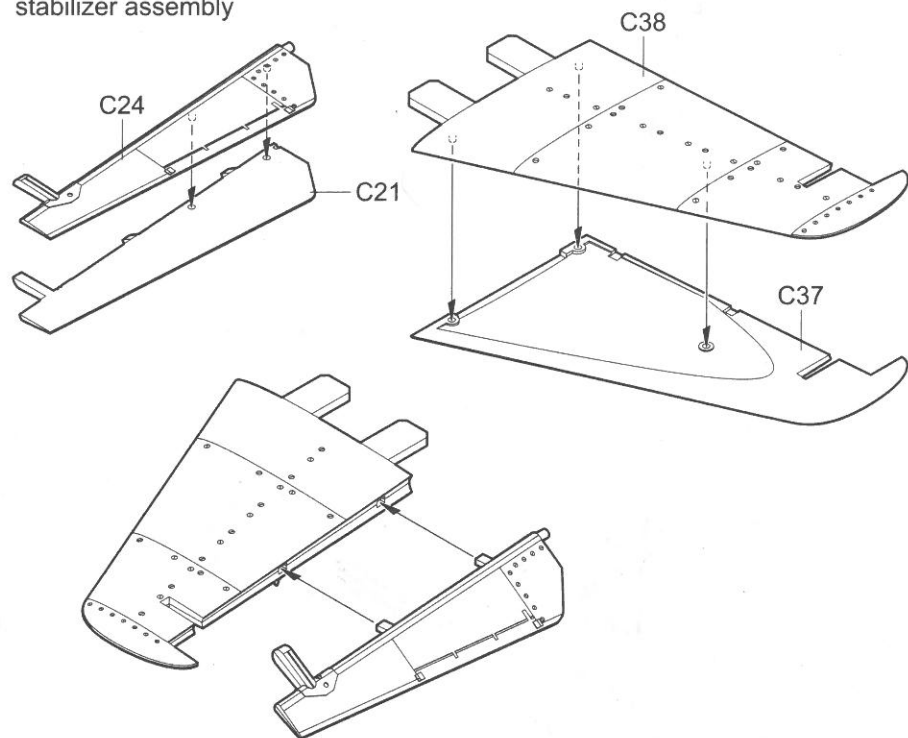
22 机翼的安装
Wing installation



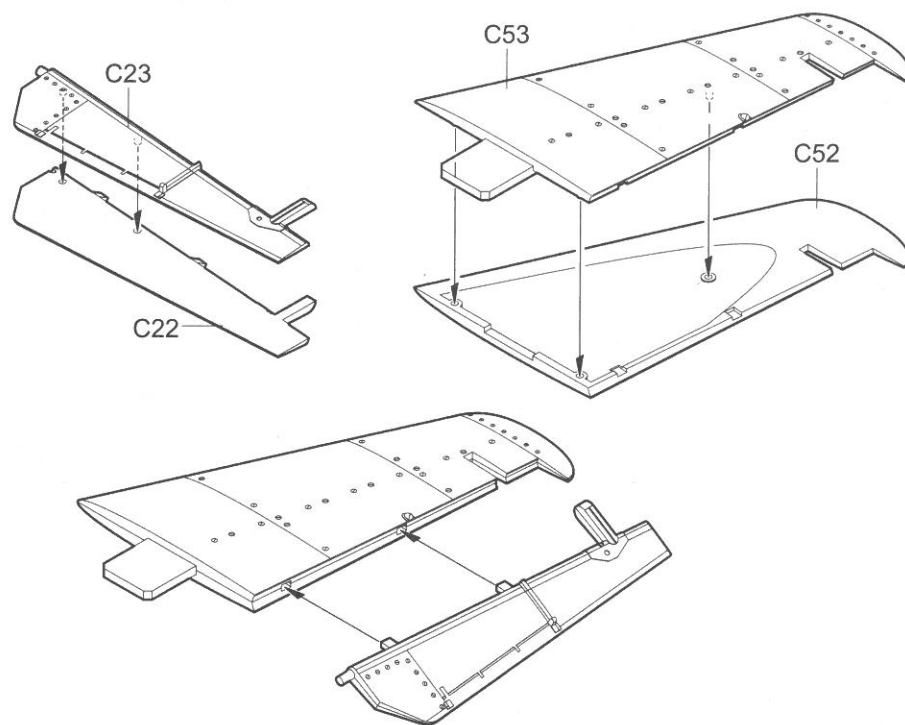
23 起落架的安装
Undercarriage installation



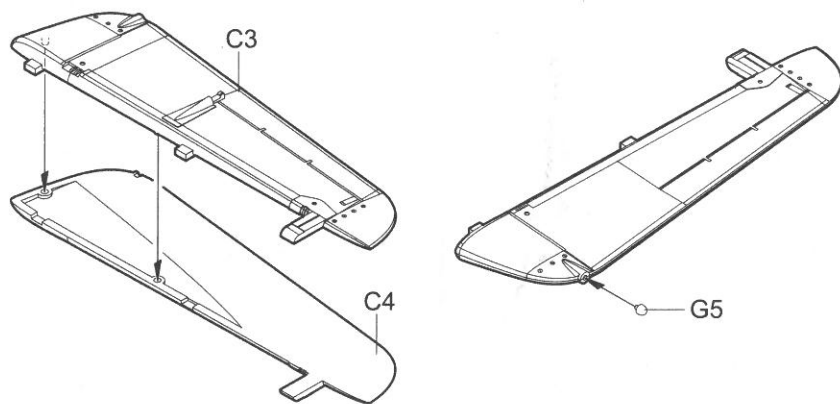
24 左侧水平尾翼的组装
Left horizontal stabilizer assembly



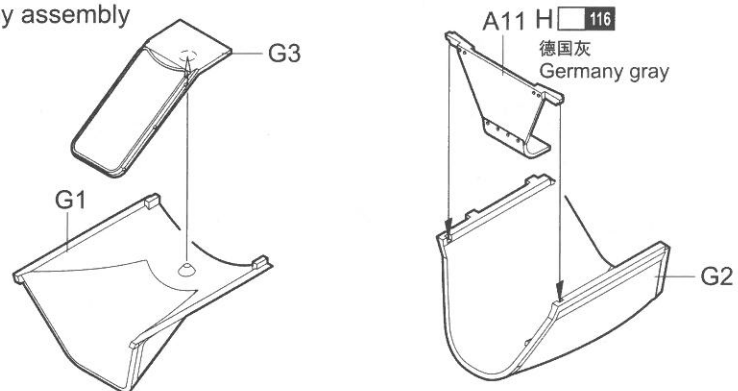
25 右侧水平尾翼的组装
Right horizontal stabilizer assembly

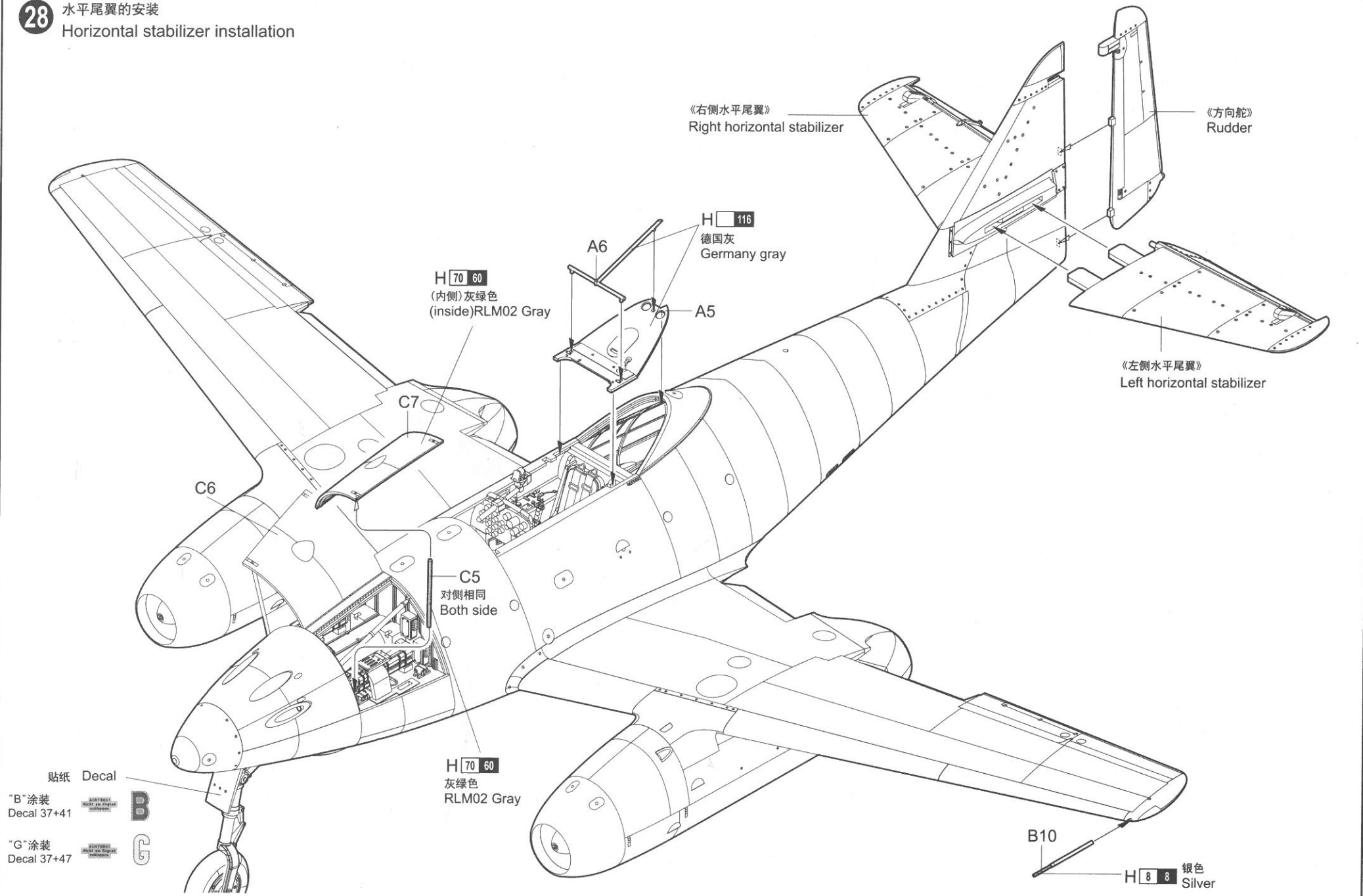


26 方向舵的组装
Rudder assembly

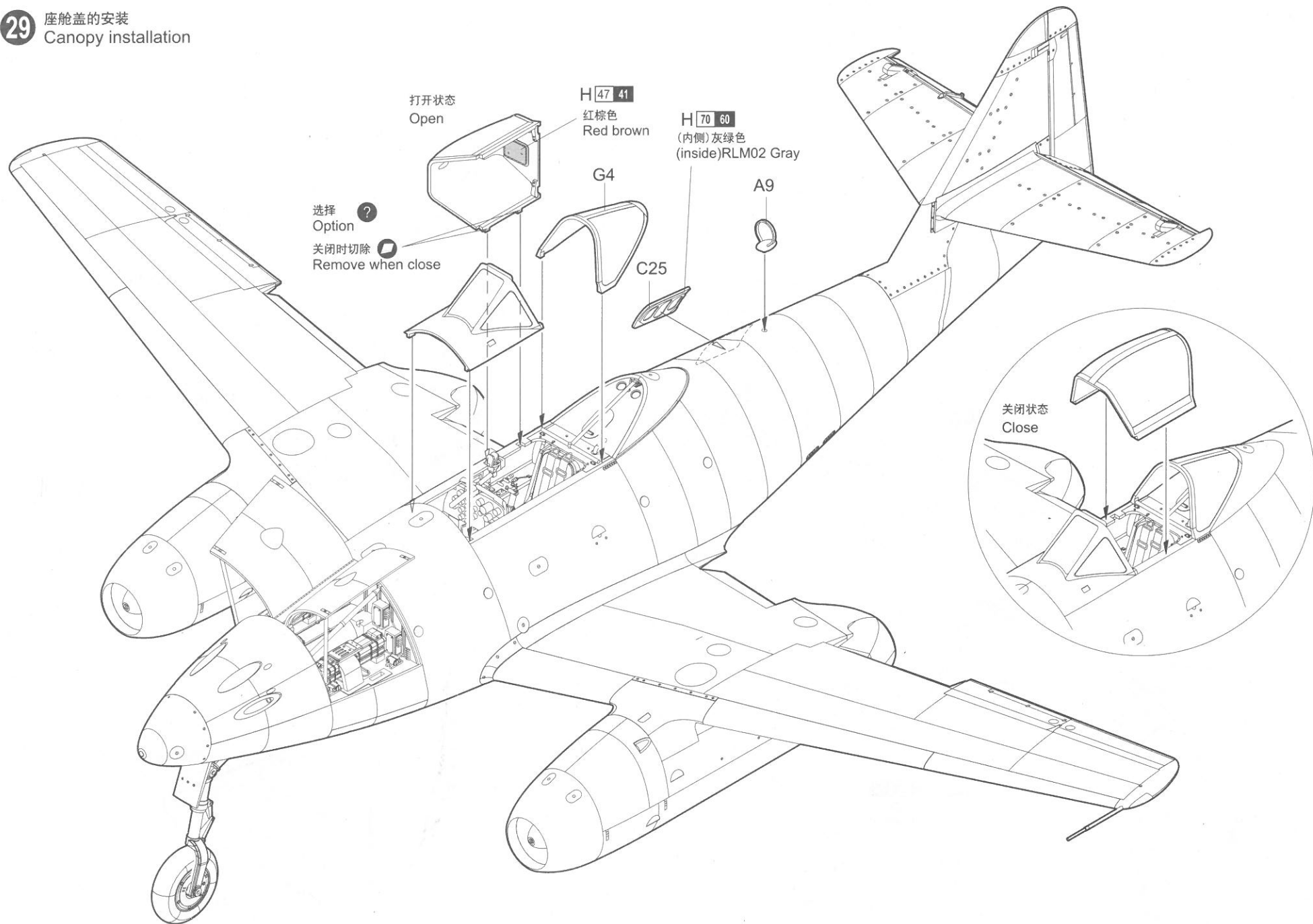


27 座舱盖的组装
Canopy assembly

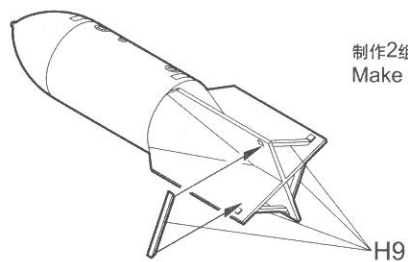
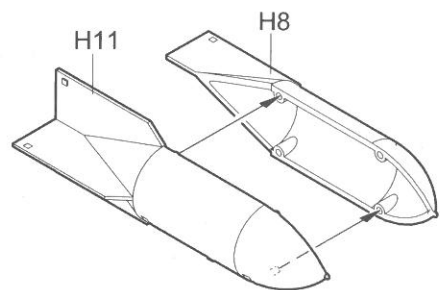




29 座舱盖的安装
Canopy installation

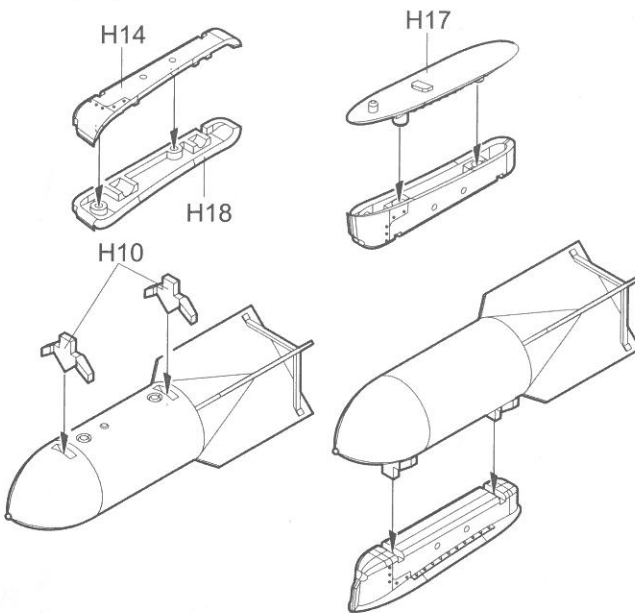


sc250

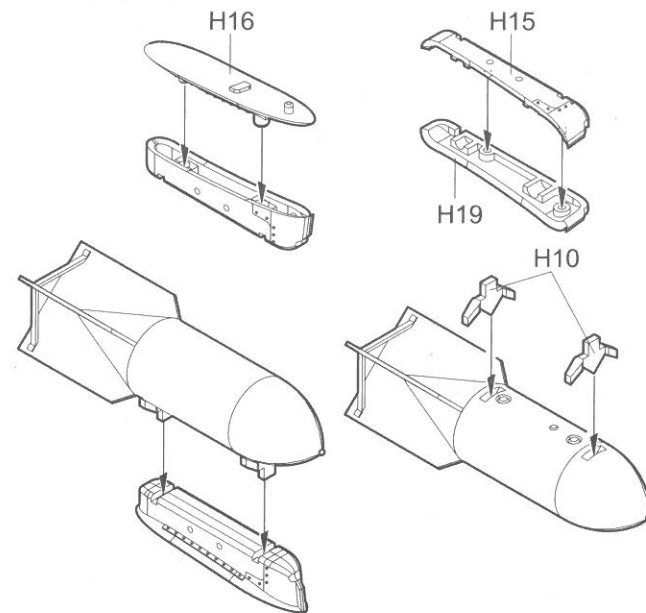


制作2组
Make two

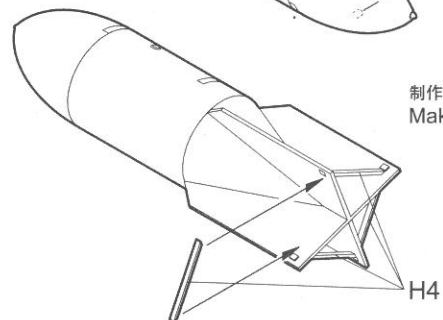
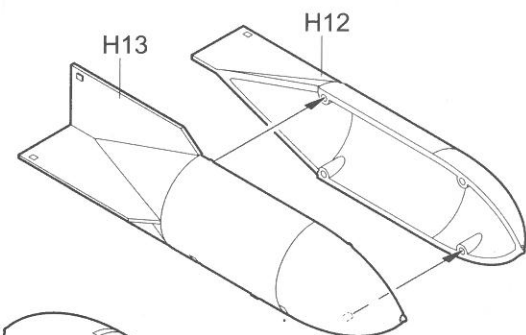
sc250(left)



sc250(Right)

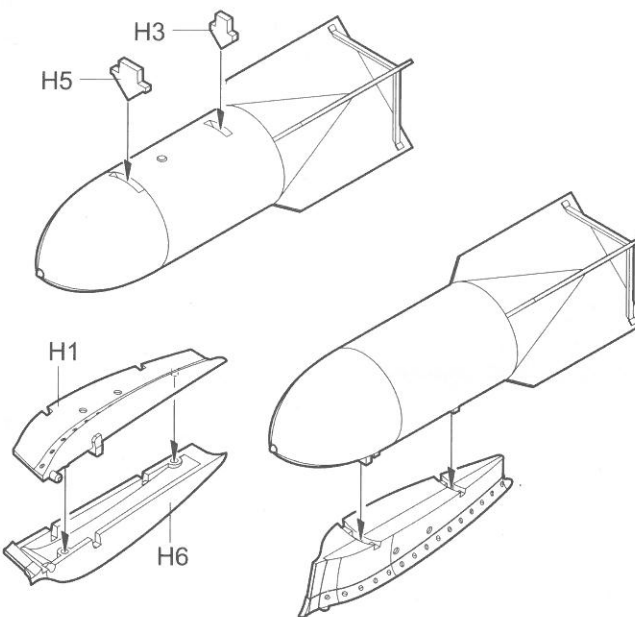


sc500

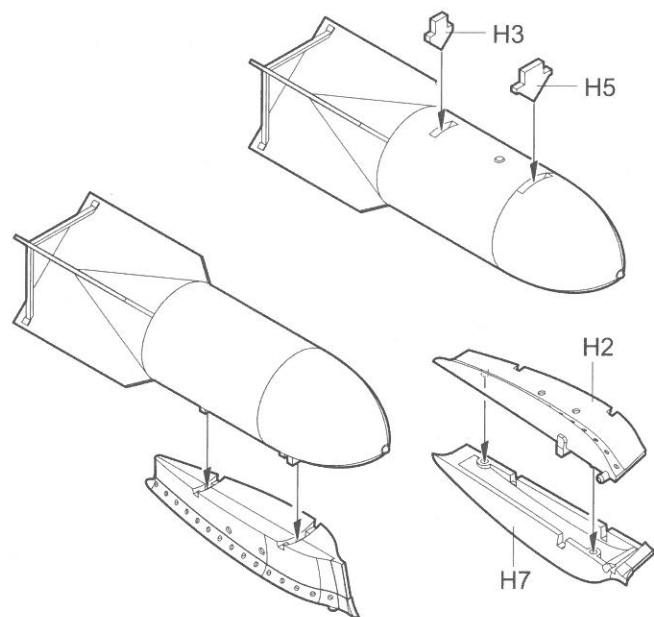


制作2组
Make two

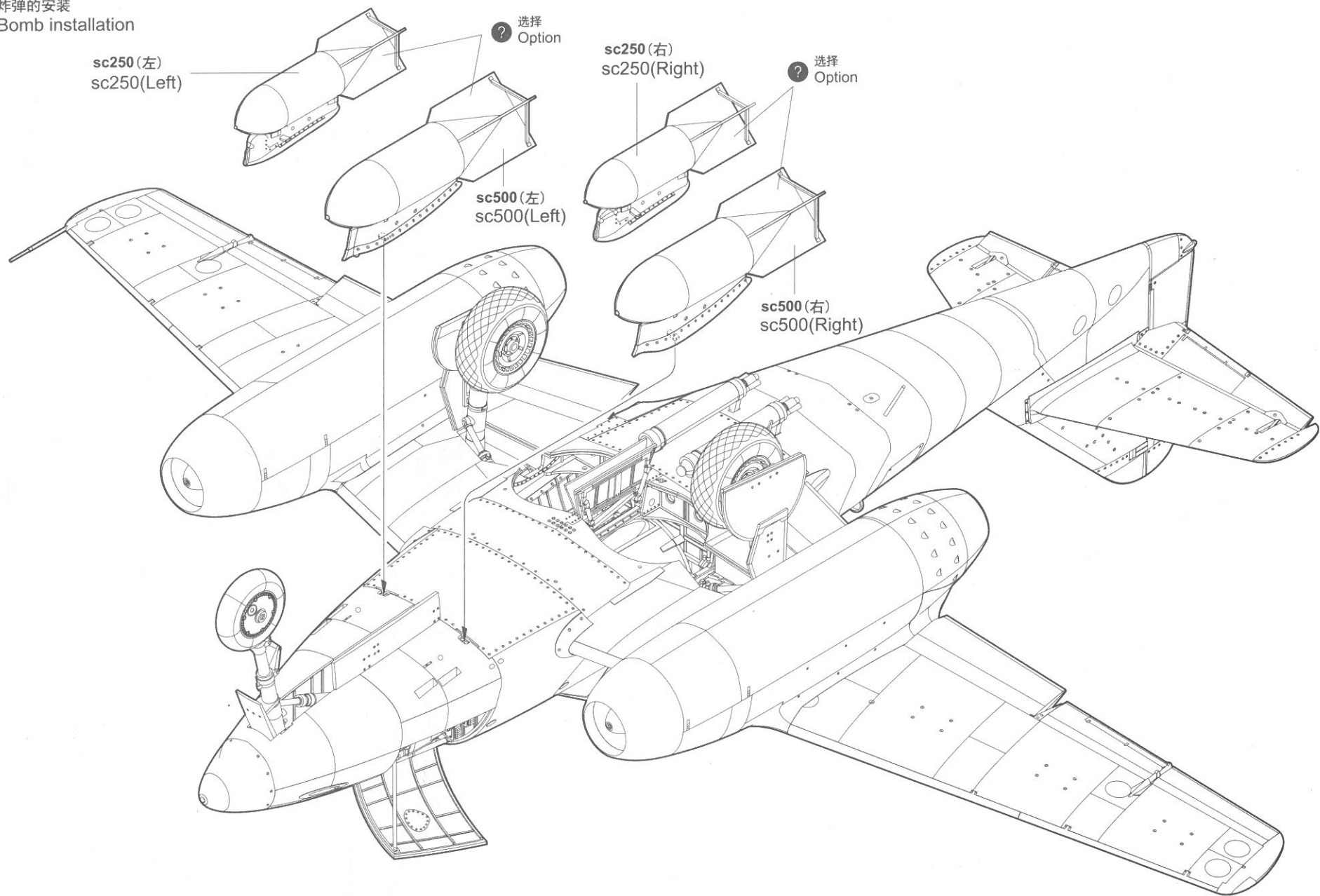
sc500(left)



sc500(Right)

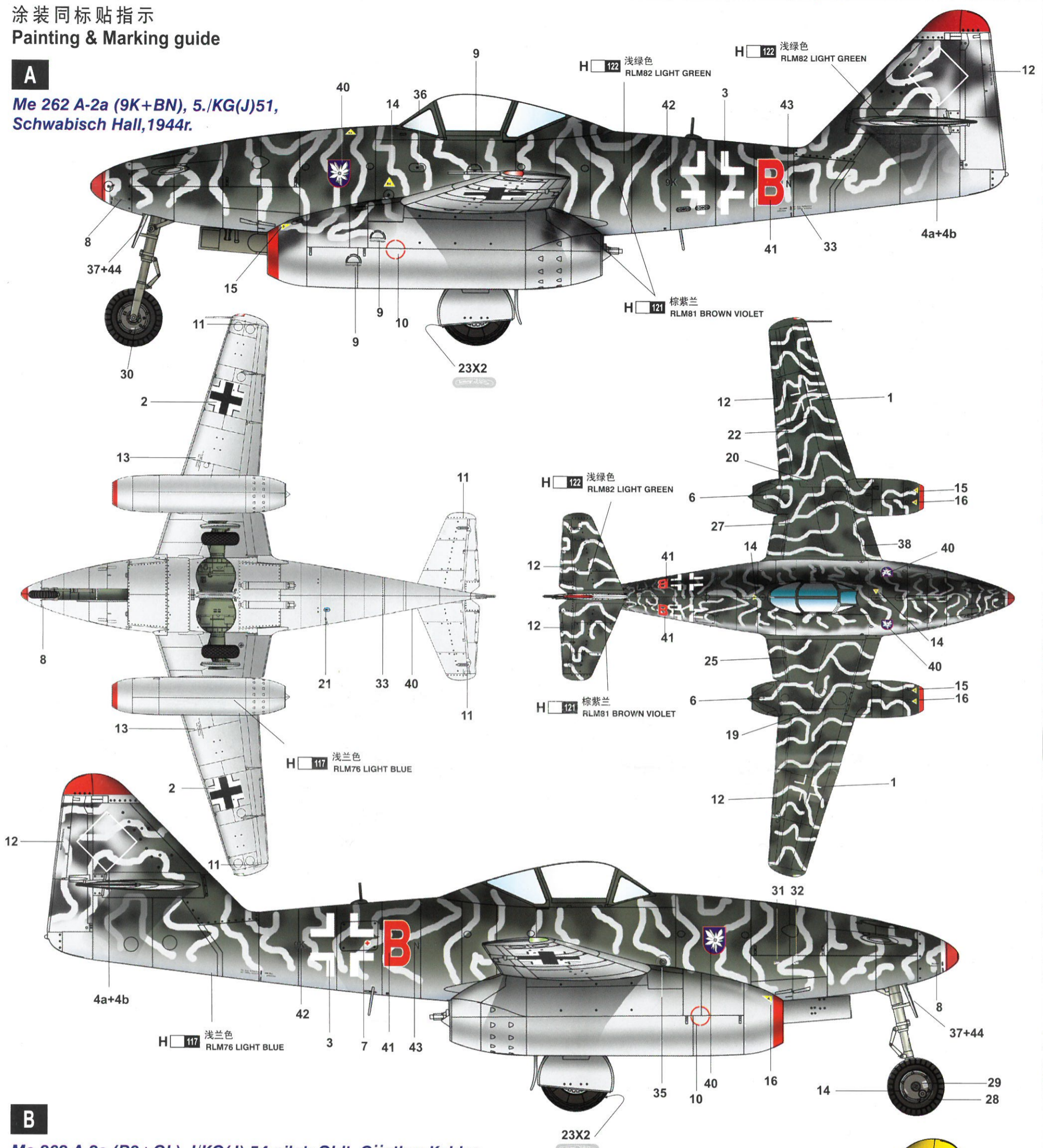


30 炸弹的安装
Bomb installation

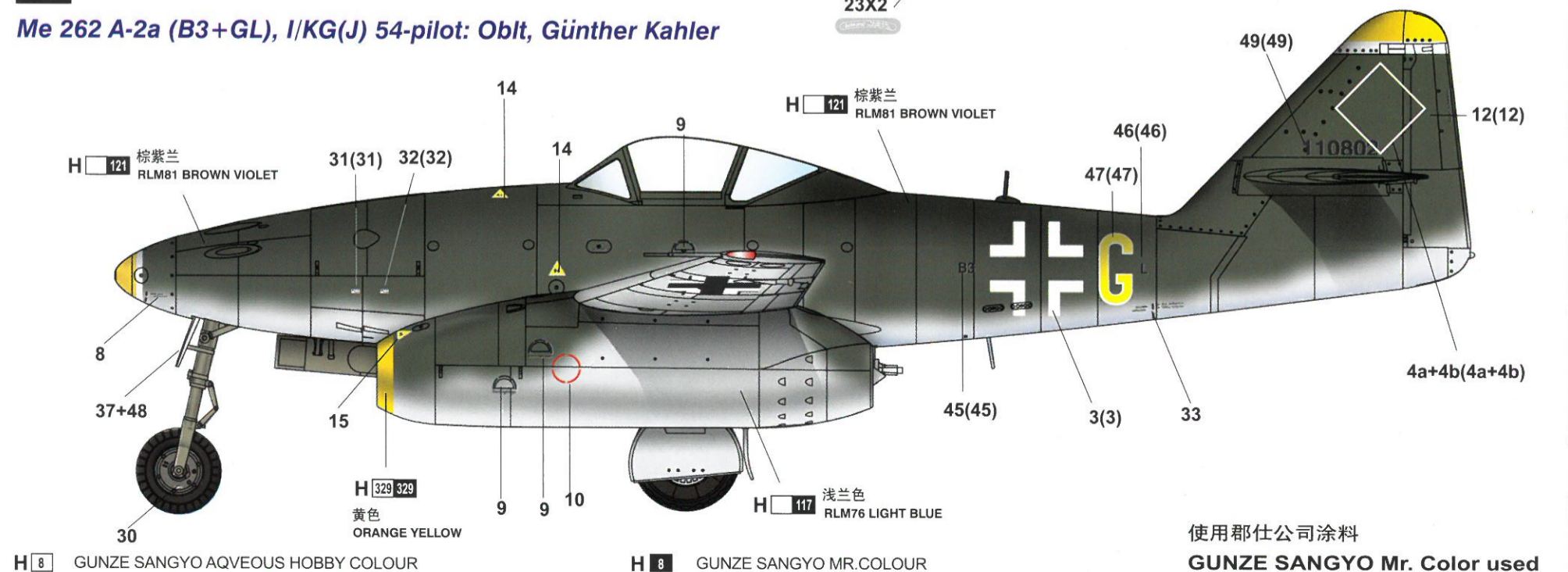


涂装同标贴指示
Painting & Marking guide

A
Me 262 A-2a (9K+BN), 5./KG(J)51,
Schwabisch Hall, 1944r.



B
Me 262 A-2a (B3+GL), I/KG(J) 54-pilot: Oblt, Günther Kahler



使用郡仕公司涂料
GUNZE SANGYO Mr. Color used

H 8 GUNZE SANGYO AQUEOUS HOBBY COLOUR

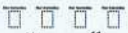
H 8 GUNZE SANGYO MR.COLOUR

1



2

3



11 11 11 11



10



8

+ 7



9

9

6



5a



5a



4a

4b



12

12

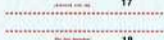
12



13



14



17

18



19

20



37



36



35



34

34



31

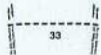
32



38



39



33



21

24

25

28

29

30

27

26

23

22



40

40



41

9K N
42 43
9K N



44

110802 B3 L
49 45 46
110802 B3 L



47



50

110802

48